



# CW574

## LINEAR INTEGRATED CIRCUIT

### 33V COLOR TV VOLTAGE REGULATOR

#### DESCRIPTION

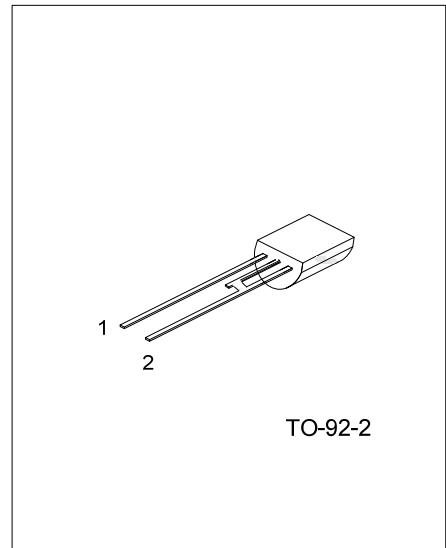
The UTC CW574 is a parallel voltage regulator which provides stable harmonious voltage for high frequency tuner head of color TV.

#### FEATURES

- \* Low temperature coefficient
- \* Low dynamic resister
- \* Typical voltage: 33V

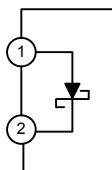
#### ORDERING INFORMATION

Ordering Number		Package	Packing
Lead Free	Halogen Free		
CW574L-T90-B	CW574G-T90-B	TO-92-2	Tape Box
CW574L-T90-K	CW574G-T90-K	TO-92-2	Bulk
CW574L-T90-R	CW574G-T90-R	TO-92-2	Tape Reel



<p>CW574L-T90-K</p> <p>(1)Packing Type (2)Package Type (3)Lead Free</p>	<p>(1) B: Tape Box, K: Bulk, R: Tape Reel (2) T90: TO-92-2 (3) G: Halogen Free, L: Lead Free</p>
---	--

#### BLOCK DIAGRAM



■ ABSOLUTE MAXIMUM RATINGS (T<sub>A</sub>=25°C)

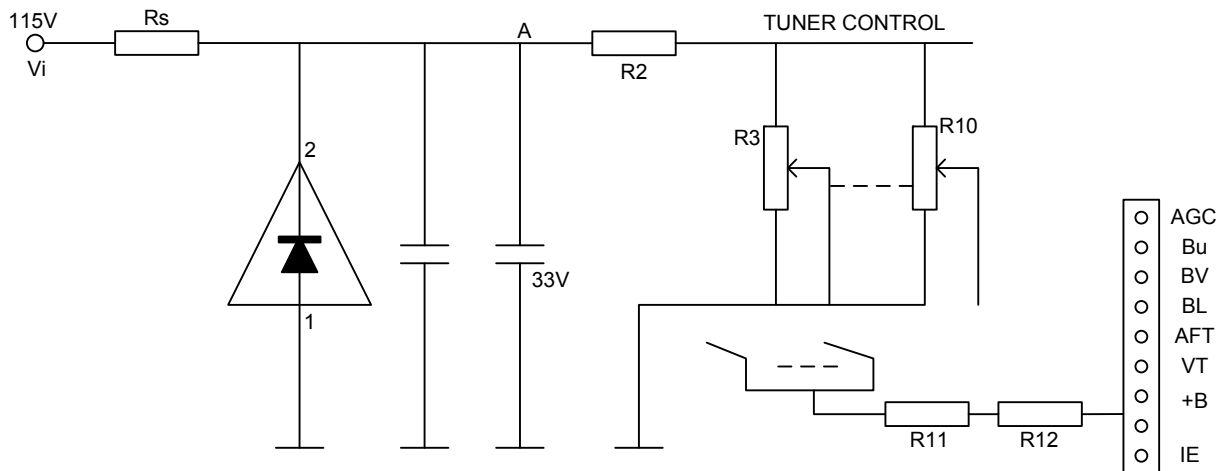
PARAMETER	SYMBOL	RATINGS	UNIT
Stable Current	I <sub>Z</sub>	10	mA
Power Dissipation	P <sub>D</sub>	200	mW
Operating Temperature	T <sub>OPR</sub>	-20 ~ +75	°C
Storage Temperature	T <sub>STG</sub>	-40 ~ +125	°C

Note: Absolute maximum ratings are those values beyond which the device could be permanently damaged.  
 Absolute maximum ratings are stress ratings only and functional device operation is not implied.

■ ELECTRICAL CHARACTERISTICS (T<sub>A</sub>=25°C)

PARAMETER	SYMBOL	TEST CONDITIONS	MIN	TYP	MAX	UNIT
Stable Voltage	V <sub>Z</sub>	I <sub>Z</sub> =5mA	31	33	35	V
Dynamic Resister	R <sub>Z</sub>	I <sub>Z</sub> =5mA, I <sub>AC</sub> =0.5mA, f=1kHz		10	25	Ω
Stable Current and Temperature Characteristics	ΔV <sub>Z</sub>	I <sub>Z</sub> =5mA, T <sub>A</sub> = -20~75°C	-1.0		1.0	mV/°C

## APPLICATION CIRCUIT



The UTC **CW574** is a parallel voltage regulator which provides stable harmonious voltage for high frequency tuner head of color TV.

The main power 115V goes through  $R_s$  resistor to position 2 of UTC **CW574** then the position A with 33V provides stable voltage for control circuit of high frequency tuner. The circuit from R3 to R10 is potential meter for tuning, according to different channels to change contact positions; to provide corresponding voltage to tuner; and to control the capacity of varicap diode in order to have high frequency tuner into proper channel.

The voltage range of UTC **CW574** is required to cover necessary frequency range, and main issue of UTC **CW574** is its reliable voltage stability which avoids unexpected frequency offset; therefore, the circuit of UTC **CW574** contains temperature compensation to have lowermost temperature coefficient.

UTC assumes no responsibility for equipment failures that result from using products at values that exceed, even momentarily, rated values (such as maximum ratings, operating condition ranges, or other parameters) listed in products specifications of any and all UTC products described or contained herein. UTC products are not designed for use in life support appliances, devices or systems where malfunction of these products can be reasonably expected to result in personal injury. Reproduction in whole or in part is prohibited without the prior written consent of the copyright owner. The information presented in this document does not form part of any quotation or contract, is believed to be accurate and reliable and may be changed without notice.