

# 16-bit Proprietary Microcontroller

CMOS

## F<sup>2</sup>MC-16F MB90246A Series

# MB90246A

### ■ DESCRIPTION

The MB90246A series is a 16-bit microcontroller optimum to control mechatronics such as a hard disk drive unit.

The instruction set of F<sup>2</sup>MC-16F CPU core inherits AT architecture of F<sup>2</sup>MC\*-16/16H family with additional instruction sets for high-level languages, extended addressing mode, enhanced multiplication/division instructions, and enhanced bit manipulation instructions. The microcontroller has a 32-bit accumulator for processing long word data (32-bit).

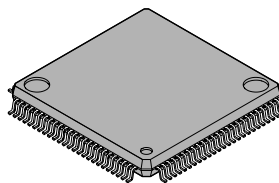
The MB90246A series contains a production addition unit as peripheral resources for enabling easy implementation of functions supported by IIR and FIR digital filters. It also supports a wealth of peripheral functions including:

- an 8/10-bit A/D converter having eight channels;
- an 8-bit D/A converter having three channels;
- UART;
- an 8-bit PWM timer having four channels;
- a timer having three plus one channels;
- an input capture (ICU) having two channels; and
- a DTP/external interrupt circuit having four channels.

\* : F<sup>2</sup>MC stands for FUJITSU Flexible Microcontroller.

### ■ PACKAGE

100-pin Plastic LQFP



(FPT-100P-M05)

# MB90246A Series

## ■ FEATURES

- Clock
  - Operating clock can be selected from divided-by-2, 4, 8 or 32 of oscillation (at oscillation of 32 MHz, 1 MHz to 16 MHz).
  - Minimum instruction execution time of 62.5 ns (at machine clock of 16 MHz)
- CPU addressing space of 16 Mbytes
  - Internal addressing of 24-bit
  - External accessing can be performed by selecting 8/16-bit bus width (external bus mode)
- Instruction set optimized for controller applications
  - Rich data types (bit, byte, word, long word)
  - Rich addressing mode (23 types)
  - High code efficiency
  - Enhanced precision calculation realized by the 32-bit accumulator
  - Signed multiplication/division instruction
- Instruction set designed for high level language (C) and multi-task operations
  - Adoption of system stack pointer
  - Enhanced pointer indirect instructions
  - Barrel shift instructions
- Enhanced execution speed
  - 8-byte instruction queue
- Enhanced interrupt function
  - Priority levels: 8 levels
  - External interrupt input ports: 4 ports
- Automatic data transmission function independent of CPU operation
  - Extended intelligent I/O service function (EI<sup>2</sup>OS)
- Low-power consumption (stand-by) mode
  - Sleep mode (mode in which CPU operating clock is stopped)
  - Stop mode (mode in which oscillation is stopped)
  - Hardware stand-by mode
  - Gear function
- Process
  - CMOS technology
- I/O port
  - General-purpose I/O ports (CMOS): 38
  - General-purpose I/O ports (TTL): 11
  - General-purpose I/O ports (N-ch open-drain): 8
  - Total: 57
- Timer
  - Timebase timer/watchdog timer: 1 channel
  - 8-bit PWM timer: 4 channels
  - 16-bit re-load timer: 3 channels
- 16-bit I/O timer
  - 16-bit free-run timer: 1 channel
  - Input capture (ICU): 2 channels
- I/O simple serial interface
  - Clock synchronized transmission can be used.
- UART: 1 channel
  - Clock asynchronous or clock synchronized serial transmission can be selectively used.
- DTP/external interrupt circuit: 4 channels
  - A module for starting extended intelligent I/O service (EI<sup>2</sup>OS) and generating an external interrupt triggered by an external input.

(Continued)

(Continued)

- Delayed interrupt generation module  
Generates an interrupt request for switching tasks.
- 8/10-bit A/D converter: 8 channels  
8-bit or 10-bit resolution can be selectively used.  
Starting by an external trigger input.
- 8-bit D/A converter  
Resolution: 8 bits × 3 channels
- DSP interface for the IIR filter  
Function dedicated to IIR calculation  
Up to eight items of results of signed multiplication of 16 × 16 bits are added.

Execution time of  $Y_k = \sum_{n=0}^N b_n Y_{k-n} + \sum_{m=0}^M a_m X_{k-m}$ : 0.625 μs (When oscillation is 32 MHz and when N = M = 3)

Up to three N and M values can be set at your disposal.

# MB90246A Series

## ■ PRODUCT LINEUP

Part number		MB90246A	MB90V246
Item			
Classification		Mass-produced product	Evaluation product
ROM size		None	
RAM size		4 k × 8 bits	6 k × 8 bits
CPU functions		The number of instructions: 412 Instruction bit length: 8 bits, 16 bits Instruction length: 1 byte to 7 bytes Data bit length: 1 bit, 4 bits, 8 bits, 16 bits, 32 bits Minimum execution time: 62.5 ns (at machine clock of 16 MHz) Interrupt processing time: 1.0 μs (at machine clock of 16 MHz, minimum value)	
Ports		General-purpose I/O ports (CMOS output): 38 General-purpose I/O ports (TTL input): 11 General-purpose I/O ports (N-ch open-drain output): 8 Total: 57	
Timebase timer		18-bit counter Interrupt interval: 0.256 ms, 1.024 ms, 4.096 ms, 16.384 ms (at oscillation of 32 MHz)	
Watchdog timer		Reset generation interval: 3.58 ms, 14.33 ms, 28.67 ms, 57.34 ms (at oscillation of 32 MHz, minimum value)	
8/16-bit PWM timer		Number of channels: 4 Pulse interval: 0.25 μs to 32.77 ms (at oscillation of 32 MHz)	
16-bit re-load timer		Number of channels: 3 16-bit re-load timer operation Interval: 125 ns to 131 ms (at machine clock of 16 MHz) External event count can be performed.	
16-bit I/O timer	16-bit free-run timer	Number of channel: 1 Overflow interrupts or intermediate bit interrupts may be generated.	
	Input capture (ICU)	Number of channel: 2 Rewriting a register value upon a pin input (rising, falling, or both edges)	
I/O simple serial interface		Number of channels: 2 Clock synchronized transmission (62.5 kbps to 8 Mbps)	
UART		Clock asynchronous transmission (2404 bps to 500 kbps) Clock synchronized transmission (250 kbps to 2 Mbps) Transmission can be performed by bi-directional serial transmission or by master/slave connection.	
DTP/external interrupt circuit		Number of inputs: 4 Started by a rising edge, a falling edge, an "H" level input, or an "L" level input. External interrupt circuit or extended intelligent I/O service (EI <sup>2</sup> OS) can be used.	
Delayed interrupt generation module		An interrupt generation module for switching tasks used in real-time operating systems.	

(Continued)

# MB90246A Series

(Continued)

Part number	MB90246A	MB90V246
Item		
8/10-bit A/D converter	Conversion precision: 10-bit or 8-bit can be selectively used. Number of inputs: 8 One-shot conversion mode (converts selected channel only once) Continuous conversion mode (converts selected channel continuously) Stop conversion mode (converts selected channel and stop operation repeatedly)	
8-bit D/A converter	Number of channels: 3 Resolution: 8 bits Based on the R-2R system	
DSP interface for the IIR filter	Function dedicated to IIR calculation Up to 8 items of results of signed multiplication of $16 \times 16$ bits are added. $\text{Execution time of } Y_k = \sum_{n=0}^N b_n Y_{k-n} + \sum_{m=0}^M a_m X_{k-m}: 0.625 \mu\text{s}$ (When oscillation is 32 MHz and when $N = M = 3$ ) Up to three N and M values can be set at your disposal.	
Low-power consumption (stand-by) mode	Sleep/stop/hardware stand-by/gear function	
Process	CMOS	
Power supply voltage for operation*	4.5 V to 5.5 V	

\* : Varies with conditions such as the operating frequency. (See section “■ Electrical Characteristics.”) Assurance for the MB90V246 is given only for operation with a tool at a power voltage of 4.5 V to 5.5 V, an operating temperature of 0 to 70 degrees centigrade, and an clock frequency of 1.6 MHz to 32 MHz.

Note: A 64-word RAM for product addition is supported in addition to the above RAMs.

## ■ PACKAGE AND CORRESPONDING PRODUCTS

Package	MB90246A	MB90V246
FPT-100P-M05	○	×
PGA-256C-A02	×	○

○ : Available    × : Not available

Note: For more information about each package, see section “■ Package Dimensions.”

## ■ DIFFERENCES AMONG PRODUCTS

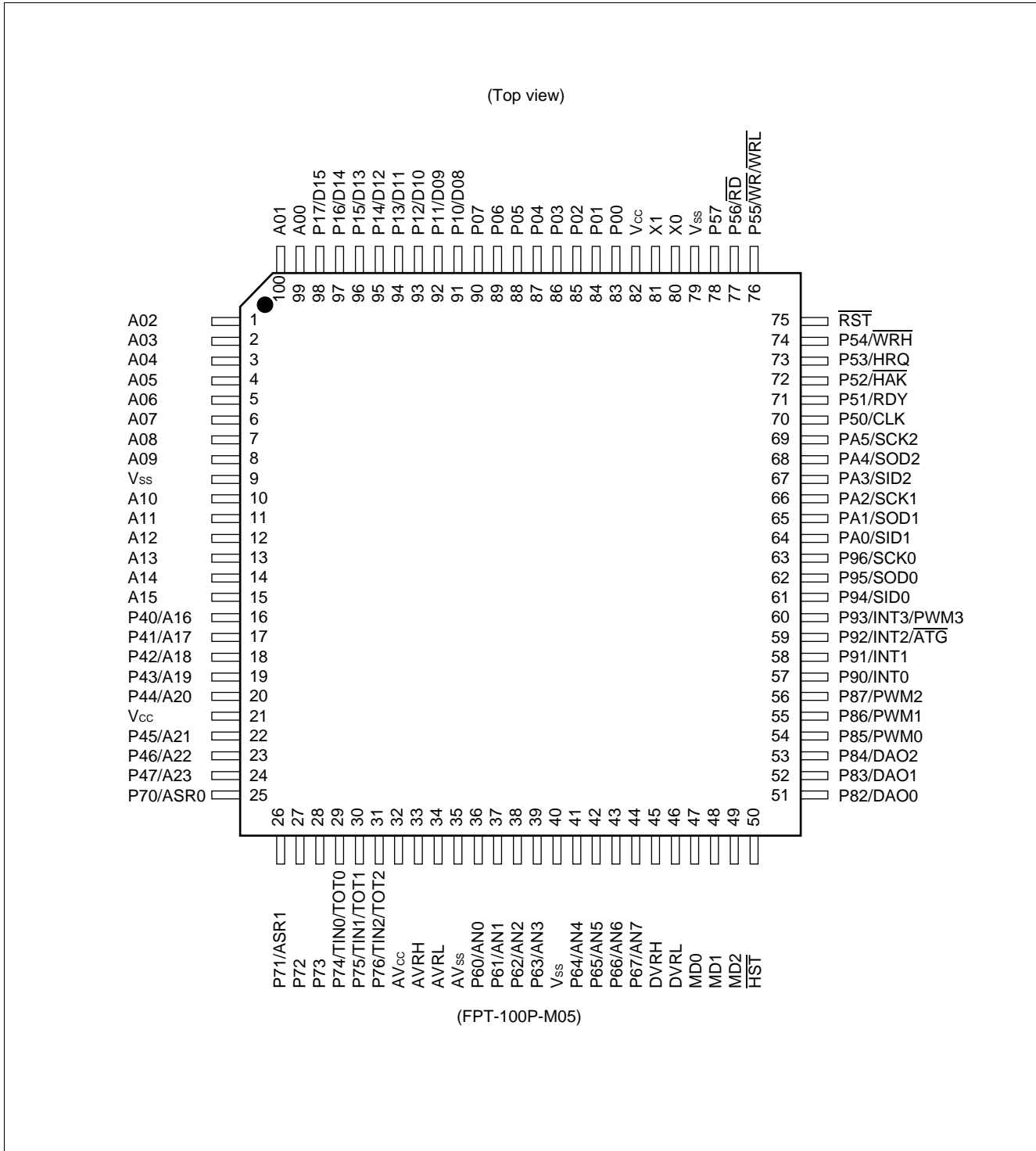
### Memory Size

In evaluation with an evaluation chips, note the difference between the evaluation chip and the chip actually used.

The RAM size is 4 Kbytes for the MB90246A, and 6 Kbytes for the MB90V246.

# MB90246A Series

## ■ PIN ASSIGNMENT



## ■ PIN DESCRIPTION

Pin no. LQFP*	Pin name	Circuit type	Function
80	X0	A	This is a crystal oscillator pin.
81	X1		
47 to 49	MD0 to MD2	C	This is an input pin for selecting operation modes. Connect directly to V <sub>CC</sub> or V <sub>SS</sub> .
75	$\overline{\text{RST}}$	B	This is external reset request signal.
50	$\overline{\text{HST}}$	C	This is a hardware stand-by input pin.
91 to 98	P10 to P17	D	This is a general-purpose I/O port. This function is valid in the 8-bit mode where the external bus is valid.
	D08 to D15		This is an I/O pin for the upper 8-bit of the external address data bus. This function is valid in the 16-bit mode where the external bus is valid.
16 to 20, 22 to 24	P40 to P44, P45 to P47	E	This is a general-purpose I/O port. This function becomes valid in the bit where the upper address control register is set to select a port.
	A16 to A20, A21 to A23		This is an output pin for the upper 8-bit of the external address bus. This function is valid in the mode where the external bus is valid and the upper address control register is set to select an address.
70	P50	E	This is a general-purpose I/O port. This function becomes valid when the CLK output is disabled.
	CLK		This is a CLK output pin. This function becomes valid when CLK output is enabled.
71	P51	D	This is a general-purpose I/O port. This function becomes valid when the external ready function are disabled.
	RDY		This is a ready input pin. This function becomes valid when the external ready function is enabled.
72	P52	D	This is a general-purpose I/O port. This function becomes valid when the hold function are disabled.
	$\overline{\text{HAK}}$		This is a hold acknowledge output pin. This function becomes valid when the hold function is enabled.
73	P53	D	This is a general-purpose I/O port. This function becomes valid when the hold function are disabled.
	HRQ		This is a hold request input pin. This function becomes valid when the hold function is enabled.
74	P54	E	This is a general-purpose I/O port. This function becomes valid, in the external bus 8-bit mode, or $\overline{\text{WRH}}$ pin output is disabled.
	$\overline{\text{WRH}}$		This is a write strobe output pin for the upper 8-bit of the data bus. This function becomes valid when the external bus 16-bit mode is selected, and $\overline{\text{WRH}}$ output pin is enabled.

\* : FPT-100P-M05

(Continued)

# MB90246A Series

Pin no. LQFP*	Pin name	Circuit type	Function
76	P55	E	This is a general-purpose I/O port. This function becomes valid when $\overline{WRL}/\overline{WR}$ pin output is disabled.
	$\overline{WR}$		This is a write strobe output pin for the lower 8-bit of data bus. This function becomes valid when $\overline{WRL}/\overline{WR}$ pin output is enabled.
	$\overline{WRL}$		$\overline{WRL}$ is used for holding the lower 8-bit for write strobe in 16-bit access operations, while $\overline{WR}$ is used for holding 8-bit data for write strobe in 8-bit access operations.
77	P56	E	This pin cannot be used as a general-purpose port.
	$\overline{RD}$		This is a read strobe output pin for the data bus. This function is valid in the mode where the external bus is valid.
78,28,27	P57,P73,P72	E	This is a general-purpose I/O port.
36 to 39, 41 to 44	P60 to P63, P64 to P67	G	This is an I/O port of an N-ch open-drain type. When the data register is read by a read instruction other than the modify write instruction with the corresponding bit in ADER set at "0", the pin level is acquired. The value set in the data register is output to the pin as is.
	AN0 to AN3, AN4 to AN7		This is an analog input pin of the 8/10-bit A/D converter. When using this input pin, set the corresponding bit in ADER at "1". Also, set the corresponding bit in the data register at "1".
25	P70	E	This is a general-purpose I/O port.
	ASR0		This is a data input pin for input capture 0. Because this input is used as required when the input capture 0 is performing input operations, and it is necessary to stop outputs from other functions unless such outputs are made intentionally.
26	P71	E	This is a general-purpose I/O port.
	ASR1		This is a data input pin of input capture 1. Because this input is used as required when input capture 1 is performing input operations, and it is necessary to stop outputs by other functions unless such outputs are made intentionally.
29 to 31	P74 to P76	E	This is a general-purpose I/O port. This function becomes valid when outputs from 16-bit re-load timer 0 – 2 are disabled.
	TIN0 to TIN 2		This is an input pin of 16-bit timer. Because this input is used as required when 16-bit timer 0 - 2 is performing input operations, and it is necessary to stop outputs by other functions unless such outputs are made intentionally.
	TOT0 to TOT2		These are output pins for 16-bit re-load timer 0 and 1. This function becomes valid when output from 16-bit re-load timer 0 – 2 are enabled.
51 to 53	P82 to P84	H	This is a general-purpose I/O port. This function becomes valid when data output from 8-bit D/A converter 0 – 2 are disabled.
	DAO0 to DAO2		This is an output pin of 8-bit D/A converter. This function becomes valid when data output from 8-bit D/A converter 0 – 2 are enabled.

\* : FPT-100P-M05

(Continued)



# MB90246A Series

Pin no. LQFP*	Pin name	Circuit type	Function
54 to 56	P85 to P87	E	This is a general-purpose I/O port. This function becomes valid when output from PWM0 – PWM2 are disabled.
	PWM0 to PWM2		This is an output pin of 8-bit PWM timer. This function becomes valid when output from PWM0 – PWM2 are enabled.
57, 58	P90, P91	F	This is a general-purpose I/O port.
	INT0, INT1		This is a request input pin of the DTP/external interrupt circuit ch.0 and 1. Because this input is used as required when the DTP/external interrupt circuit is performing input operations, and it is necessary to stop outputs from other functions unless such outputs are made intentionally.
59	P92	E	This is a general-purpose I/O port.
	INT2		This is an input pin of the DTP/external interrupt circuit ch.2. Because this input is used as required when the DTP/external interrupt circuit is performing input operations, and it is necessary to stop outputs from other functions unless such outputs are made intentionally.
	ATG		This is a trigger input pin of the 8/10-bit A/D converter. Because this input is used as required when the 8/10-bit A/D converter is performing input operations, and it is necessary to stop outputs by other functions unless such outputs are made intentionally.
60	P93	E	This is a general-purpose I/O port. This function is always valid. This function becomes valid when output from PWM3 is disabled.
	INT3		This is a request input of the DTP/external interrupt circuit ch. 3. Because this input is used as required when the DTP/external interrupt circuit is performing input operations, and it is necessary to stop outputs from other functions unless such output are made intentionally.
	PWM3		This is an output pin of 8-bit PWM timer. This function becomes valid when output from PWM3 is enabled.
61	P94	E	This is a general-purpose I/O port. This function becomes valid when serial data output from UART is disabled.
	SID0		This is a serial data I/O pin of UART. This function becomes valid when serial data output from UART is enabled. Because this input is used as required when UART is performing input operations, and it is necessary to stop outputs by other functions unless such outputs are made intentionally.

\* : FPT-100P-M05

(Continued)

# MB90246A Series

Pin no. LQFP*	Pin name	Circuit type	Function
62	P95	E	This is a general-purpose I/O port. This function becomes valid when data output from UART is disabled.
	SOD0		This is a data output pin of UART. This function becomes valid when data output from UART is enabled.
63	P96	E	This is a general-purpose I/O port. This function becomes valid when clock output from UART is disabled.
	SCK0		This is a clock I/O pin of UART. This function becomes valid when clock output from UART is enabled. Because this input is used as required when UART is performing input operations, and it is necessary to stop outputs by other functions unless such outputs are made intentionally.
1 to 6, 100, 99	A02 to A07, A01, A00	E	This is an output pin for the lower 8-bit of the external address bus.
7, 8, 10 to 15	A08, A09, A10 to A15	E	This is an output pin for the middle 8-bit of the external address bus. This function is valid in the mode where the external bus is valid and the middle address control register is set to select an address.
64	PA0	E	This is a general-purpose I/O port.
	SID1		This is a data input pin of I/O simple serial interface 1. Because this input is used as required when I/O simple serial interface 1 is performing input operations, and it is necessary to stop outputs by other functions unless such outputs are made intentionally.
65	PA1	E	This is a general-purpose I/O port. This function becomes valid when data output from I/O simple serial interface 1 is disabled.
	SOD1		This is a data output pin of I/O simple serial interface 1. This function becomes valid when data output from I/O simple serial interface 1 is enabled.
66	PA2	E	This is a general-purpose I/O port. This function becomes valid when clock output from I/O simple serial interface 1 is disabled.
	SCK1		This is a clock output pin of I/O simple serial interface 1. This function becomes valid when clock output from I/O simple serial interface 1 is enabled.

\* : FPT-100P-M05

(Continued)

# MB90246A Series

(Continued)

Pin no. LQFP*	Pin name	Circuit type	Function
67	PA3	E	This is a general-purpose I/O port.
	SID2		This is a data input pin of I/O simple serial interface 2. Because this input is used as required when is performing input operations, and it is I/O simple serial interface 2 necessary to stop outputs by other functions unless such outputs are made intentionally.
68	PA4	E	This is a general-purpose I/O port. This function becomes valid when data output from I/O simple serial interface 2 is disabled.
	SOD2		This is a data output pin of I/O simple serial interface 2. This function becomes valid when data output from I/O simple serial interface 2 is enabled.
69	PA5	E	This is a general-purpose I/O port. This function becomes valid when clock output from I/O simple serial interface 2 is disabled.
	SCK2		This is clock output pin of I/O simple serial interface 2. This function becomes valid when clock output from I/O simple serial interface 2 is enabled.
83 to 90	D00 to D07	D	This is an I/O pin for the lower 8-bit of the external data bus.
21, 82	V <sub>cc</sub>	Power supply	This is power supply to the digital circuit.
9, 40, 79	V <sub>ss</sub>	Power supply	This is a ground level of the digital circuit.
32	AV <sub>cc</sub>	Power supply	This is power supply to the analog circuit. Make sure to turn on/turn off this power supply with a voltage exceeding AV <sub>cc</sub> applied to V <sub>cc</sub> .
33	AVRH	Power supply	This is a reference voltage input to the A/D converter. Make sure to turn on/turn off this power supply with a voltage exceeding AVRH applied to AV <sub>cc</sub> .
34	AVRL	Power supply	This is a reference voltage input to the A/D converter.
35	AV <sub>ss</sub>	Power supply	This is a ground level of the analog circuit.
45	DVRH	Power supply	This is an external reference power supply pin for the D/A converter.
46	DVRL	Power supply	This is an external reference power supply pin for the D/A converter.

\* : FPT-100P-M05

# MB90246A Series

## ■ I/O CIRCUIT TYPE

Type	Circuit	Remarks
A		<ul style="list-style-type: none"> <li>• For oscillation of 32 MHz</li> <li>• Oscillation feedback resistor approx. 1 MΩ</li> </ul>
B		<ul style="list-style-type: none"> <li>• CMOS level hysteresis input (without stand-by control)</li> <li>• Pull-up resistor approx. 50 kΩ</li> </ul>
C		<ul style="list-style-type: none"> <li>• CMOS level hysteresis input (without stand-by control)</li> </ul>
D		<ul style="list-style-type: none"> <li>• CMOS level output</li> <li>• TTL level input (with stand-by control)</li> </ul>

(Continued)

(Continued)

Type	Circuit	Remarks
E		<ul style="list-style-type: none"> <li>• CMOS level output</li> <li>• CMOS level hysteresis input (with stand-by control)</li> </ul>
F		<ul style="list-style-type: none"> <li>• CMOS level input</li> <li>• CMOS level hysteresis input (with stand-by control (during interrupt disable))</li> </ul>
G		<ul style="list-style-type: none"> <li>• N-ch open-drain</li> <li>• CMOS level output</li> <li>• CMOS level hysteresis input</li> <li>• Analog input (with analog control)</li> </ul>
H		<ul style="list-style-type: none"> <li>• CMOS level output</li> <li>• Analog output</li> <li>• CMOS level hysteresis input (with stand-by control)</li> </ul>

# MB90246A Series

## ■ HANDLING DEVICES

### 1. Make Sure that the Voltage not Exceed the Maximum Rating (to Avoid a Latch-up)

In CMOS ICs, a latch-up phenomenon is caused when an voltage exceeding  $V_{CC}$  or an voltage below  $V_{SS}$  is applied to input or output pins or a voltage exceeding the rating is applied across  $V_{CC}$  and  $V_{SS}$ .

When a latch-up is caused, the power supply current may be dramatically increased causing resultant thermal break-down of devices. To avoid the latch-up, make sure that the voltage not exceed the maximum rating.

In turning on/turning off the analog power supply, make sure the analog power voltage ( $AV_{CC}$ ,  $AVRH$ ) and analog input voltages not exceed the digital voltage ( $V_{CC}$ ).

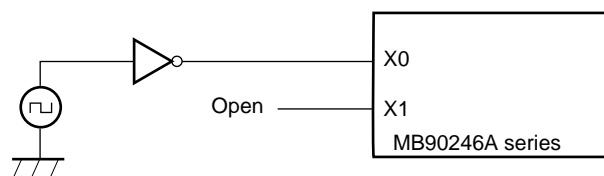
### 2. Connection of Unused Pins

Leaving unused pins open may result in abnormal operations. Clamp the pin level by connecting it to a pull-up or a pull-down resistor.

### 3. Notes on Using External Clock

In using the external clock, drive X0 pin only and leave X1 pin unconnected.

#### • Using external clock



### 4. Power Supply Pins

In products with multiple  $V_{CC}$  or  $V_{SS}$  pins, the pins of a same potential are internally connected in the device to avoid abnormal operations including latch-up. However, connect the pins external power and ground lines to lower the electro-magnetic emission level and abnormal operation of strobe signals caused by the rise in the ground level, and to conform to the total current rating.

Make sure to connect  $V_{CC}$  and  $V_{SS}$  pins via lowest impedance to power lines.

It is recommended to provide a bypass capacitor of around  $0.1 \mu\text{F}$  between  $V_{CC}$  and  $V_{SS}$  pin near the device.

### 5. Crystal Oscillator Circuit

Noises around X0 or X1 pins may be possible causes of abnormal operations. Make sure to provide bypass capacitors via shortest distance from X0, X1 pins, crystal oscillator (or ceramic resonator) and ground lines, and make sure, to the utmost effort, that lines of oscillation circuit not cross the lines of other circuits.

It is highly recommended to provide a printed circuit board art work surrounding X0 and X1 pins with an grand area for stabilizing the operation.

## 6. Turning-on Sequence of Power Supply to A/D Converter, D/A Converter and Analog Inputs

Make sure to turn on the A/D converter power supply ( $AV_{CC}$ ,  $AV_{RH}$ ,  $AV_{RL}$ ), D/A converter power supply and analog inputs (AN0 to AN7) after turning-on the digital power supply ( $V_{CC}$ ).

Turn-off the digital power after turning off the A/D converter supply and analog inputs. In this case, make sure that the voltage not exceed  $AV_{RH}$  or  $AV_{CC}$  (turning on/off the analog and digital supplies simultaneously is acceptable).

## 7. Connection of Unused Pins of A/D Converter

Connect unused pins of A/D converter to  $AV_{CC} = V_{CC}$ ,  $AV_{SS} = AV_{RH} = AV_{RL} = V_{SS}$ .

## 8. “MOV @AL, AH”, “MOVW @AL, AH” Instructions

When the above instruction is performed to I/O space, an unnecessary writing operation may be performed (#FF, #FFFF) in the internal bus.

Use the compiler function for inserting an NOP instruction before the above instructions to avoid the writing operation.

Accessing RAM space with the above instruction does not cause any problem.

## 9. Initialization

In the device, there are internal registers which is initialized only by a power-on reset. To initialize these registers turning on the power again.

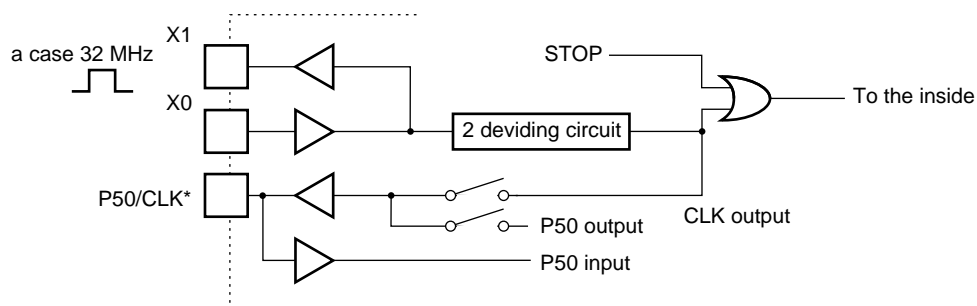
## 10. External Reset Input

To reset the internal securely, “L” level input to the  $\overline{RST}$  pin must be at least 5 machine cycle.

## 11. $\overline{HST}$ Pin

Make sure  $\overline{HST}$  pin is set to “H” level when turn on the power supply. Also make sure  $\overline{HST}$  pin is never set to “L” level, when  $\overline{RST}$  pin is set to “L” level.

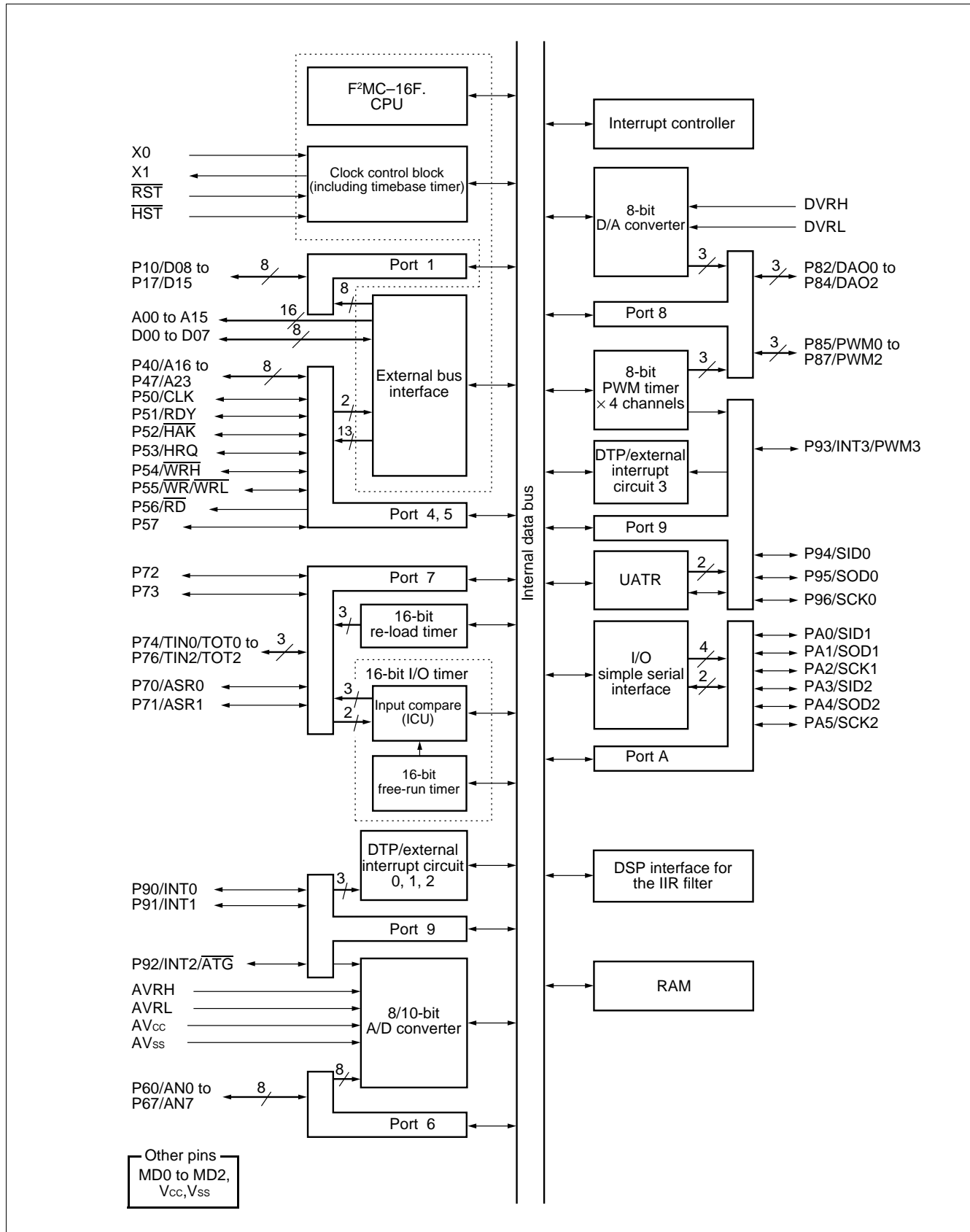
## 12. CLK Pin



\*: At P50/CLK pin in the external bus mode, CLK output is selected as an initial value.

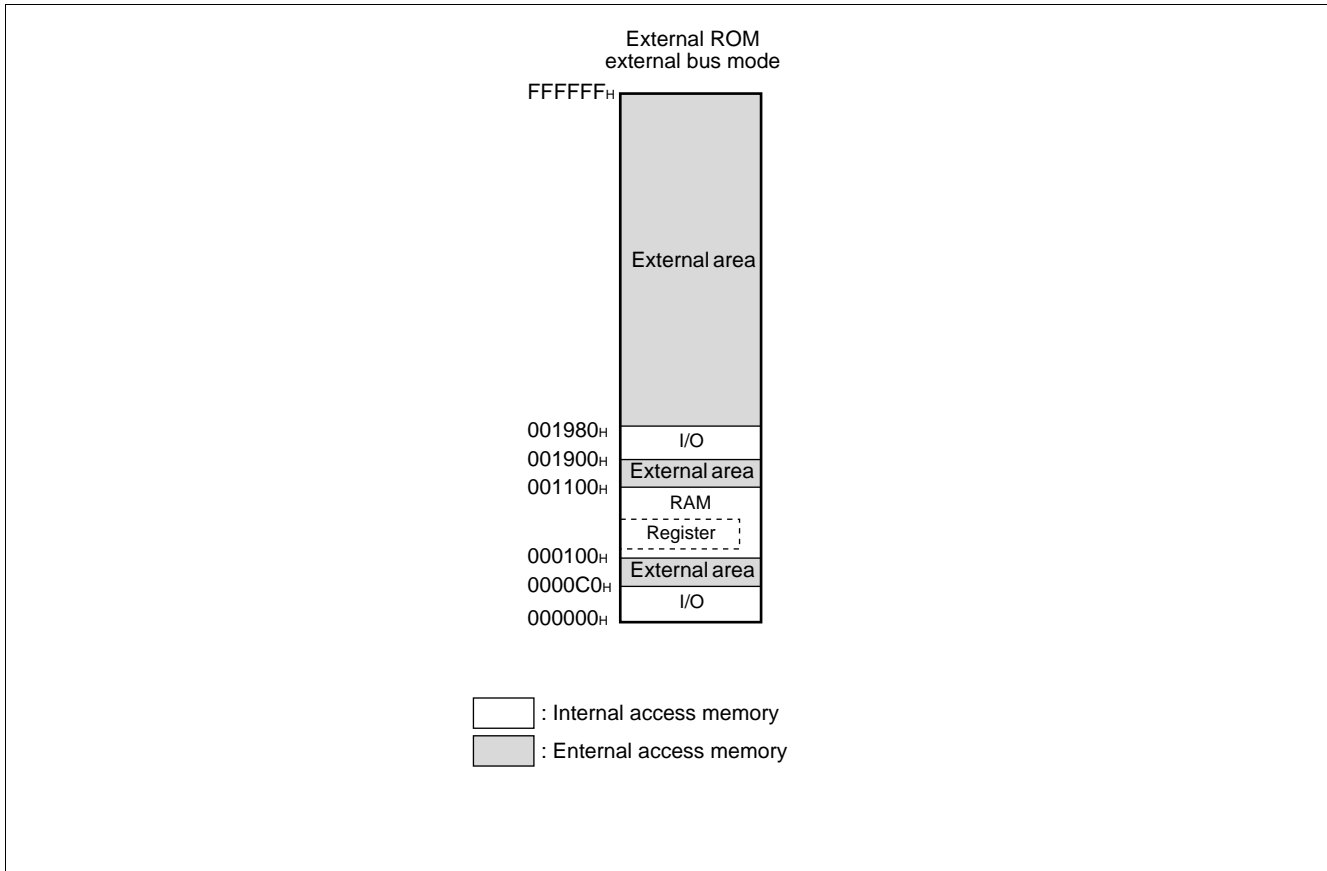
# MB90246A Series

## ■ BLOCK DIAGRAM





## MEMORY MAP

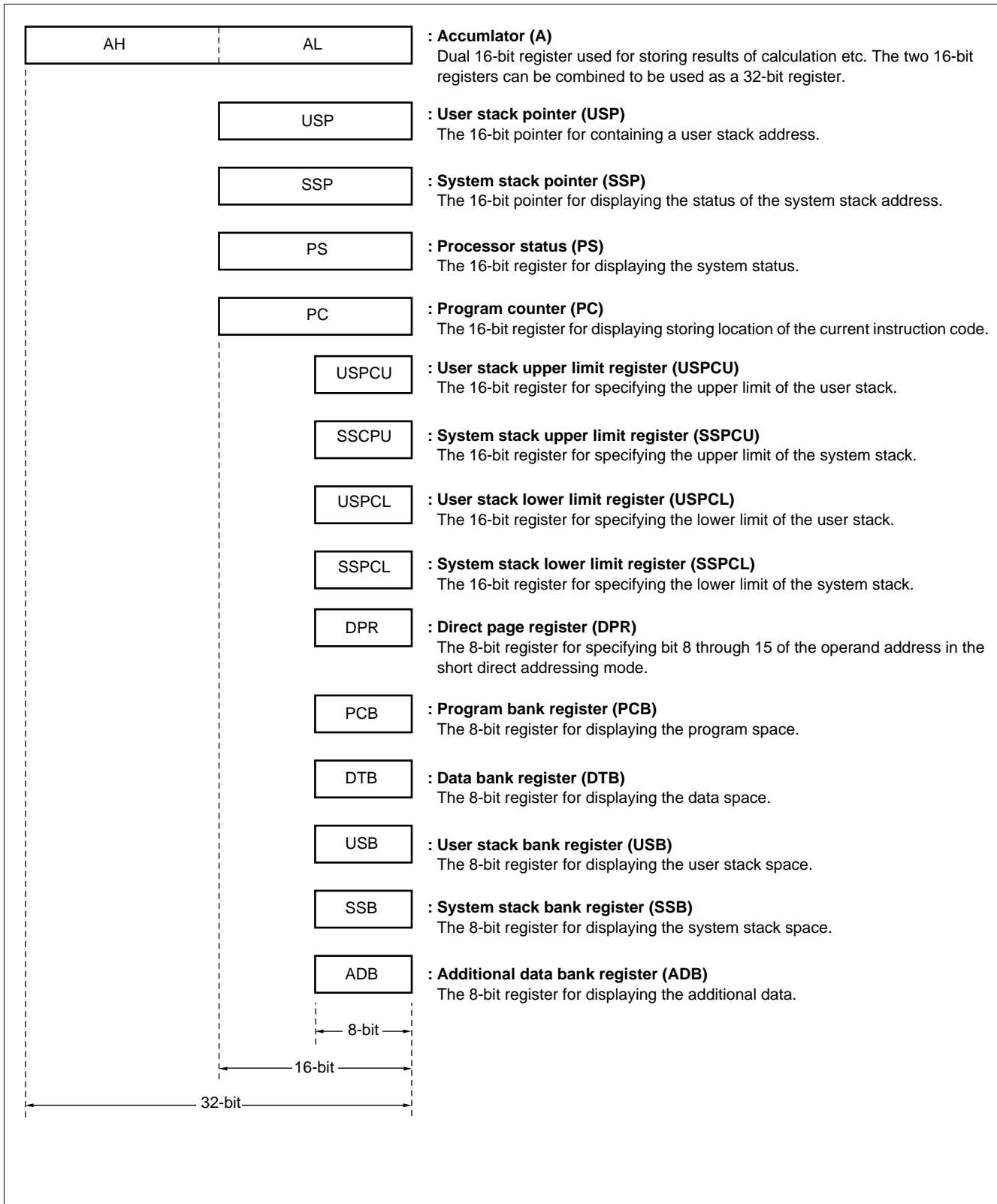


The ROM data of bank FF is reflected in the upper address of bank 00, realizing effective use of the C compiler small model. The lower 16-bit of bank FF and the lower 16-bit of bank 00 is assigned to the same address, enabling reference of the table on the ROM without stating "far".

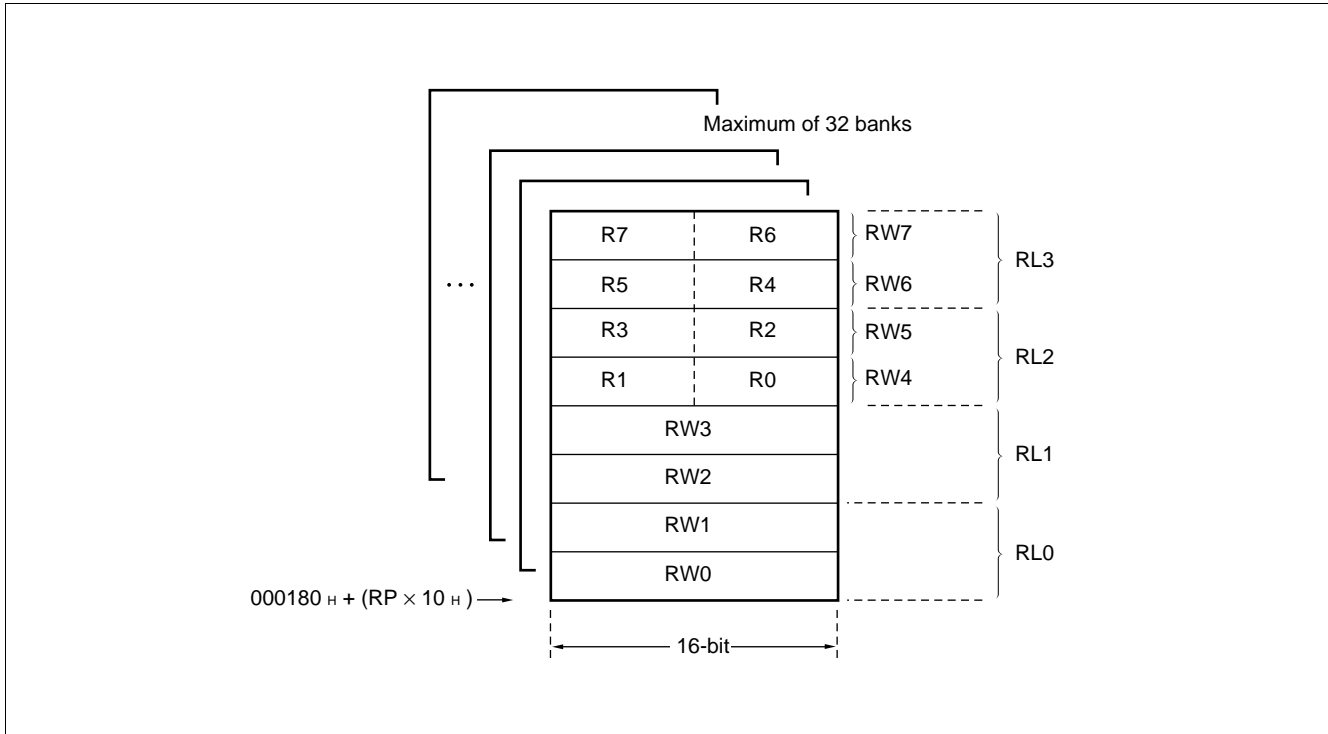
# MB90246A Series

## ■ F<sup>2</sup>MC-16F CPU PROGRAMMING MODEL

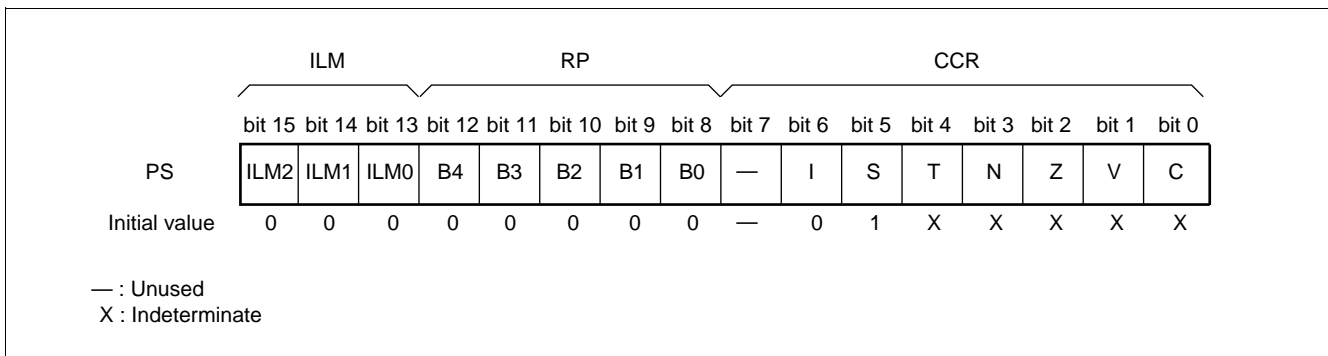
### (1) Dedicated Registers



## (2) General-purpose Registers



## (3) Processor Status (PS)



# MB90246A Series

## ■ I/O MAP

Address	Abbreviated register name	Register name	Read/write	Resource name	Initial value
000000 <sub>H</sub>	(System reservation area)* <sup>1</sup>				
000001 <sub>H</sub>	PDR1	Port 1 data register	R/W!	Port 1	XXXXXXXX <sub>B</sub>
000002 <sub>H</sub>	(System reservation area)* <sup>1</sup>				
000003 <sub>H</sub>	(System reservation area)* <sup>1</sup>				
000004 <sub>H</sub>	PDR4	Port 4 data register	R/W!	Port 4	XXXXXXXX <sub>B</sub>
000005 <sub>H</sub>	PDR5	Port 5 data register	R/W!	Port 5	XXXXXXXX <sub>B</sub>
000006 <sub>H</sub>	PDR6	Port 6 data register	R/W!	Port 6	11111111 <sub>B</sub>
000007 <sub>H</sub>	PDR7	Port 7 data register	R/W!	Port 7	-XXXXXXXX <sub>B</sub>
000008 <sub>H</sub>	PDR8	Port 8 data register	R/W!	Port 8	XXXXXX-- <sub>B</sub>
000009 <sub>H</sub>	PDR9	Port 9 data register	R/W!	Port 9	-XXXXXXXX <sub>B</sub>
00000A <sub>H</sub>	PDRA	Port A data register	R/W!	Port A	--XXXXXXXX <sub>B</sub>
00000B <sub>H</sub> to 00000F <sub>H</sub>	(Vacancy)				
000010 <sub>H</sub>	(System reservation area)* <sup>1</sup>				
000011 <sub>H</sub>	DDR1	Port 1 direction register	R/W	Port 1	00000000 <sub>B</sub>
000012 <sub>H</sub>	(System reservation area)* <sup>1</sup>				
000013 <sub>H</sub>	(System reservation area)* <sup>1</sup>				
000014 <sub>H</sub>	DDR4	Port 4 direction register	R/W	Port 4	00000000 <sub>B</sub>
000015 <sub>H</sub>	DDR5	Port 5 direction register	R/W	Port 5	00000000 <sub>B</sub>
000016 <sub>H</sub>	ADER	Analog input enable register	R/W	Port 6, 8/10-bit A/D converter	11111111 <sub>B</sub>
000017 <sub>H</sub>	DDR7	Port 7 direction register	R/W	Port 7	-0000000 <sub>B</sub>
000018 <sub>H</sub>	DDR8	Port 8 direction register	R/W	Port 8	000000-- <sub>B</sub>
000019 <sub>H</sub>	DDR9	Port 9 direction register	R/W	Port 9	-XXXXXXXX <sub>B</sub>
00001A <sub>H</sub>	DDRA	Port A direction register	R/W	Port A	--000000 <sub>B</sub>
00001B <sub>H</sub> to 00001F <sub>H</sub>	(Vacancy)				
000020 <sub>H</sub>	SCR1	Serial control status register 1	R/W	I/O simple serial interface 1	10000000 <sub>B</sub>
000021 <sub>H</sub>	SSR1	Serial status register 1	R		-----1 <sub>B</sub>
000022 <sub>H</sub>	SDR1L	Serial data register 1 (L)	R/W		XXXXXXXX <sub>B</sub>
000023 <sub>H</sub>	SDR1H	Serial data register 1 (H)	R/W		XXXXXXXX <sub>B</sub>

(Continued)

# MB90246A Series

Address	Abbreviated register name	Register name	Read/write	Resource name	Initial value
000024H	SCR2	Serial control status register 2	R/W	I/O simple serial interface 2	1 0 0 0 0 0 0 0 <sub>B</sub>
000025H	SSR2	Serial status register 2	R		----- 1 <sub>B</sub>
000026H	SDR2L	Serial data register 2 (L)	R/W		XXXXXXXX <sub>B</sub>
000027H	SDR2H	Serial data register 2 (H)	R/W		XXXXXXXX <sub>B</sub>
000028H	UMC	Mode control register	R/W	UART	0 0 0 0 0 1 0 0 <sub>B</sub>
000029H	USR	Status register	R/W		0 0 0 1 0 0 0 0 <sub>B</sub>
00002AH	UIDR/ UODR	Input data register/ output data register	R/W		XXXXXXXX <sub>B</sub>
00002BH	URD	Rate and data register	R/W		0 0 0 0 0 0 0 0 <sub>B</sub>
00002CH	PWMC3	PWM3 operating mode control register	R/W	8-bit PWM timer 3	0 0 0 0 0 XX 1 <sub>B</sub>
00002DH	(Vacancy)				
00002EH	PRL3	PWM3 re-load register (L)	R/W	8-bit PWM timer 3	XXXXXXXX <sub>B</sub>
00002FH	PRLH3	PWM3 re-load register (H)	R/W		XXXXXXXX <sub>B</sub>
000030H	ENIR	DTP/interrupt enable register	R/W	DTP/external interrupt circuit	---- 0 0 0 0 <sub>B</sub>
000031H	EIRR	DTP/interrupt factor register	R/W		---- 0 0 0 0 <sub>B</sub>
000032H	ELVR	Request level setting register	R/W		0 0 0 0 0 0 0 0 <sub>B</sub>
000033H	(Vacancy)				
000034H	PWMC0	PWM0 operating mode control register	R/W	8-bit PWM timer 0	0 0 0 0 0 XX 1 <sub>B</sub>
000035H	(Vacancy)				
000036H	PRL0	PWM0 re-load register (L)	R/W	8-bit PWM timer 0	XXXXXXXX <sub>B</sub>
000037H	PRLH0	PWM0 re-load register (H)	R/W		XXXXXXXX <sub>B</sub>
000038H	PWMC1	PWM1 operating mode control register	R/W	8-bit PWM timer 1	0 0 0 0 0 XX 1 <sub>B</sub>
000039H	(Vacancy)				
00003AH	PRL1	PWM1 re-load register (L)	R/W	8-bit PWM timer 1	XXXXXXXX <sub>B</sub>
00003BH	PRLH1	PWM1 re-load register (H)	R/W		XXXXXXXX <sub>B</sub>
00003CH	PWMC2	PWM2 operating mode control register	R/W	8-bit PWM timer 2	0 0 0 0 0 XX 1 <sub>B</sub>
00003DH	(Vacancy)				
00003EH	PRL2	PWM2 re-load register (L)	R/W	8-bit PWM timer 2	XXXXXXXX <sub>B</sub>
00003FH	PRLH2	PWM2 re-load register (H)	R/W		XXXXXXXX <sub>B</sub>
000040H	TMCSR0	Timer control status register 0 lower digits	R/W	16-bit re-load timer 0	0 0 0 0 0 0 0 0 <sub>B</sub>
000041H		Timer control status register 0 upper digits	R/W		---- 0 0 0 0 <sub>B</sub>

(Continued)

# MB90246A Series

Address	Abbreviated register name	Register name	Read/write	Resource name	Initial value
000042 <sub>H</sub>	TMR0	16-bit timer register 0	R	16-bit re-load timer 0	XXXXXXXX <sub>B</sub>
000043 <sub>H</sub>					XXXXXXXX <sub>B</sub>
000044 <sub>H</sub>	TMRLR0	16-bit re-load register 0	R/W		XXXXXXXX <sub>B</sub>
000045 <sub>H</sub>					XXXXXXXX <sub>B</sub>
000046 <sub>H</sub>	(Vacancy)				
000047 <sub>H</sub>					
000048 <sub>H</sub>	TMCSR1	Timer control status register 1 lower digits	R/W	16-bit re-load timer 1	00000000 <sub>B</sub>
000049 <sub>H</sub>		Timer control status register 1 upper digits	R/W		----0000 <sub>B</sub>
00004A <sub>H</sub>	TMR1	16-bit timer register 1	R		XXXXXXXX <sub>B</sub>
00004B <sub>H</sub>					XXXXXXXX <sub>B</sub>
00004C <sub>H</sub>	TMRLR1	16-bit re-load register 1	R/W	XXXXXXXX <sub>B</sub>	
00004D <sub>H</sub>				XXXXXXXX <sub>B</sub>	
00004E <sub>H</sub>	(Vacancy)				
00004F <sub>H</sub>					
000050 <sub>H</sub>	TMCSR2	Timer control status register 2 lower digits	R/W	16-bit re-load timer 2	00000000 <sub>B</sub>
000051 <sub>H</sub>		Timer control status register 2 upper digits	R/W		----1111 <sub>B</sub>
000052 <sub>H</sub>	TMR2	16-bit timer register 2	R		XXXXXXXX <sub>B</sub>
000053 <sub>H</sub>					XXXXXXXX <sub>B</sub>
000054 <sub>H</sub>	TMRLR2	16-bit re-load register 2	R/W	XXXXXXXX <sub>B</sub>	
000055 <sub>H</sub>				XXXXXXXX <sub>B</sub>	
000056 <sub>H</sub> to 000059 <sub>H</sub>	(Vacancy)				
00005A <sub>H</sub>	DADR0	D/A data register 0	R/W	8-bit D/A converter 0	XXXXXXXX <sub>B</sub>
00005B <sub>H</sub>	DACR0	D/A control register 0	R/W		-----0 <sub>B</sub>
00005C <sub>H</sub>	DADR1	D/A data register 1	R/W	8-bit D/A converter 1	XXXXXXXX <sub>B</sub>
00005D <sub>H</sub>	DACR1	D/A control register 1	R/W		-----0 <sub>B</sub>
00005E <sub>H</sub>	DADR2	D/A data register 2	R/W	8-bit D/A converter 2	XXXXXXXX <sub>B</sub>
00005F <sub>H</sub>	DACR2	D/A control register 2	R/W		-----0 <sub>B</sub>
000060 <sub>H</sub>	IPCP0	Input capture register 0	R	16-bit I/O timer (input capture 0, 1)	XXXXXXXX <sub>B</sub>
000061 <sub>H</sub>					XXXXXXXX <sub>B</sub>
000062 <sub>H</sub>	IPCP1	Input capture register 1	R		XXXXXXXX <sub>B</sub>
000063 <sub>H</sub>					XXXXXXXX <sub>B</sub>
000064 <sub>H</sub>	ICS0	Input capture control register	R/W	00000000 <sub>B</sub>	

# MB90246A Series

Address	Abbreviated register name	Register name	Read/write	Resource name	Initial value
000065 <sub>H</sub> to 00006B <sub>H</sub>	(Vacancy)				
00006C <sub>H</sub>	TCDT	Timer data register	R/W	16-bit I/O timer (16-bit free-run timer)	0 0 0 0 0 0 0 0 <sub>B</sub>
00006D <sub>H</sub>					0 0 0 0 0 0 0 0 <sub>B</sub>
00006E <sub>H</sub>	TCCS	Timer control status register	R/W		0 0 0 0 0 0 0 0 <sub>B</sub>
00006F <sub>H</sub>	(Vacancy)				
000070 <sub>H</sub>	ADCSL	A/D control status register lower digits	R/W	8/10-bit A/D converter	0 0 0 - 0 0 0 0 <sub>B</sub>
000071 <sub>H</sub>	ADCSH	A/D control status register upper digits	R/W		- 0 0 0 - - 0 0 <sub>B</sub>
000072 <sub>H</sub>	ADCT	Conversion time setting register	R/W		XXXXXXXXXX <sub>B</sub>
000073 <sub>H</sub>					XXXXXXXXXX <sub>B</sub>
000074 <sub>H</sub>	ADTL0	A/D data register 0	R		XXXXXXXXXX <sub>B</sub>
000075 <sub>H</sub>	ADTH0		R		-----** <sub>B</sub>
000076 <sub>H</sub>	ADTL1	A/D data register 1	R		XXXXXXXXXX <sub>B</sub>
000077 <sub>H</sub>	ADTH1		R		-----** <sub>B</sub>
000078 <sub>H</sub>	ADTL2	A/D data register 2	R		XXXXXXXXXX <sub>B</sub>
000079 <sub>H</sub>	ADTH2		R		-----** <sub>B</sub>
00007A <sub>H</sub>	ADTL3	A/D data register 3	R		XXXXXXXXXX <sub>B</sub>
00007B <sub>H</sub>	ADTH3		R		-----** <sub>B</sub>
00007C <sub>H</sub> to 00007F <sub>H</sub>	(Vacancy)				
000080 <sub>H</sub>	MCSR	Product addition control status register lower digits	R/W	DSP interface for the IIR filter	XXX0XXX0 <sub>B</sub>
000081 <sub>H</sub>		Product addition control status register digits	R/W		-XXXXXXXX <sub>B</sub>
000082 <sub>H</sub>	MCCRL	Product addition continuation control register lower digits	R/W		0 0 0 0 0 0 0 0 <sub>B</sub>
000083 <sub>H</sub>	MCCRH	Product addition continuation control register upper digits	R/W		-----00 <sub>B</sub>
000084 <sub>H</sub>	MDORL	Production addition output register	R		XXXXXXXXXX <sub>B</sub>
000085 <sub>H</sub>					XXXXXXXXXX <sub>B</sub>
000086 <sub>H</sub>	MDORM		R		XXXXXXXXXX <sub>B</sub>
000087 <sub>H</sub>	MDORH		R		XXXXXXXXXX <sub>B</sub>
000088 <sub>H</sub>					XXXXXXXXXX <sub>B</sub>

(Continued)

# MB90246A Series

(Continued)

Address	Abbreviated register name	Register name	Read/write	Resource name	Initial value
000089H to 00008FH	(Vacancy)				
000090H to 00009EH	(System reservation area)*1				
00009FH	DIRR	Delayed interrupt factor generation/cancellation register	R/W	Delayed interrupt generation module	----- 0 B
0000A0H	STBYC	Standby control register	R/W	Low-power consumption (stand-by) mode	0 0 0 1 X X X X B
0000A1H to 0000A3H	(System reservation area)*1				
0000A4H	HACR	Upper address control register	W	External bus pin	*2
0000A5H	EPCR	External pin control register	W		*2
0000A8H	WDTC	Watchdog timer control register	R/W	Watchdog timer	X X X X X X X X B
0000A9H	TBTC	Timebase timer control register	R/W	Timebase timer	- X X 0 0 1 0 0 B
0000B0H	ICR00	Interrupt control register 00	R/W	Interrupt controller	0 0 0 0 0 1 1 1 B
0000B1H	ICR01	Interrupt control register 01	R/W		0 0 0 0 0 1 1 1 B
0000B2H	ICR02	Interrupt control register 02	R/W		0 0 0 0 0 1 1 1 B
0000B3H	ICR03	Interrupt control register 03	R/W		0 0 0 0 0 1 1 1 B
0000B4H	ICR04	Interrupt control register 04	R/W		0 0 0 0 0 1 1 1 B
0000B5H	ICR05	Interrupt control register 05	R/W		0 0 0 0 0 1 1 1 B
0000B6H	ICR06	Interrupt control register 06	R/W		0 0 0 0 0 1 1 1 B
0000B7H	ICR07	Interrupt control register 07	R/W		0 0 0 0 0 1 1 1 B
0000B8H	ICR08	Interrupt control register 08	R/W		0 0 0 0 0 1 1 1 B
0000B9H	ICR09	Interrupt control register 09	R/W		0 0 0 0 0 1 1 1 B
0000BAH	ICR10	Interrupt control register 10	R/W		0 0 0 0 0 1 1 1 B
0000BBH	ICR11	Interrupt control register 11	R/W		0 0 0 0 0 1 1 1 B
0000BCH	ICR12	Interrupt control register 12	R/W		0 0 0 0 0 1 1 1 B
0000BDH	ICR13	Interrupt control register 13	R/W		0 0 0 0 0 1 1 1 B
0000BEH	ICR14	Interrupt control register 14	R/W		0 0 0 0 0 1 1 1 B
0000BFH	ICR15	Interrupt control register 15	R/W		0 0 0 0 0 1 1 1 B
0000C0H to 0000FFH	(External area)*3				



## Descriptions for read/write

R/W: Readable and writable

R: Read only

W: Write only

R/W!: Bits for reading operation only or writing operation only are included. Refer to the register lists for specific resource for detailed information.

## Descriptions for initial value

0 : The initial value of this bit is "0".

1 : The initial value of this bit is "1".

X : The initial value of this bit is indeterminate.

– : This bit is not used. The initial value is indeterminate.

\* : The storage type varies with the value of the ADCSH CREG bit.

\*1: Access prohibited.

\*2: The initial value varies with bus mode.

\*3: This area is the only external access area having an address of 0000FF<sub>H</sub> or lower. Access to any of the addresses specified as reserved areas in the table is handled as if an internal area were accessed. A signal for accessing an external bus is not generated.

\*4: When a register described as R/W! or W in the read/write column is accessed by a bit setting instruction or other read modify write instructions, the bit pointed to by the instruction becomes a set value. If a bit is writable by other bits, however, malfunction occurs. You must not, therefore, access that register using these instructions.

Note: For bits that is initialized by an reset operation, the initial value set by the reset operation is listed as an initial value. Note that the values are different from reading results.



- \*1:
- Interrupt levels for peripherals that commonly use the ICR register are in the same level.
  - When the extended intelligent I/O service (EI<sup>2</sup>OS) is specified in a peripheral device commonly using the ICR register, only one of the functions can be used.
  - When the extended intelligent I/O service (EI<sup>2</sup>OS) is specified for one of the peripheral functions, interrupts can not be used on the other function.
- \*2: The level shows priority of same level of interrupt invoked simultaneously.

# MB90246A Series

## ■ PERIPHERALS

### 1. I/O Port

#### (1) Input/output Port

Ports 1, 4, 5, 7 to 9, A are general-purpose I/O ports having a combined function as an external bus pin and a resource input. The input output ports function as general-purpose I/O port only in the single-chip mode. In the external bus mode, the ports are configured as external bus pins, and part of pins for port 4 can be configured as general-purpose I/O port by setting the bus control signal select register (ECSR).

- Operation as output port

The pin is configured as an output port by setting the corresponding bit of the DDR register to "1".

Writing data to PDR register when the port is configured as output, the data is retained in the output latch in the PDR and directly output to the pin.

The value of the pin (the same value retained in the output latch of PDR) can be read out by reading the PDR register.

Note: When a read-modify-write type instruction (e.g. bit set instruction) is performed to the port data register, the destination bit of the operation is set to the specified value, not affecting the bits configured by the DDR register for output, however, values of bits configured by the DDR register as inputs are changed because input values to the pins are written into the output latch. To avoid this situation, configure the pins by the DDR register as output after writing output data to the PDR register when configuring the bit used as input as outputs.

- Operation as input port

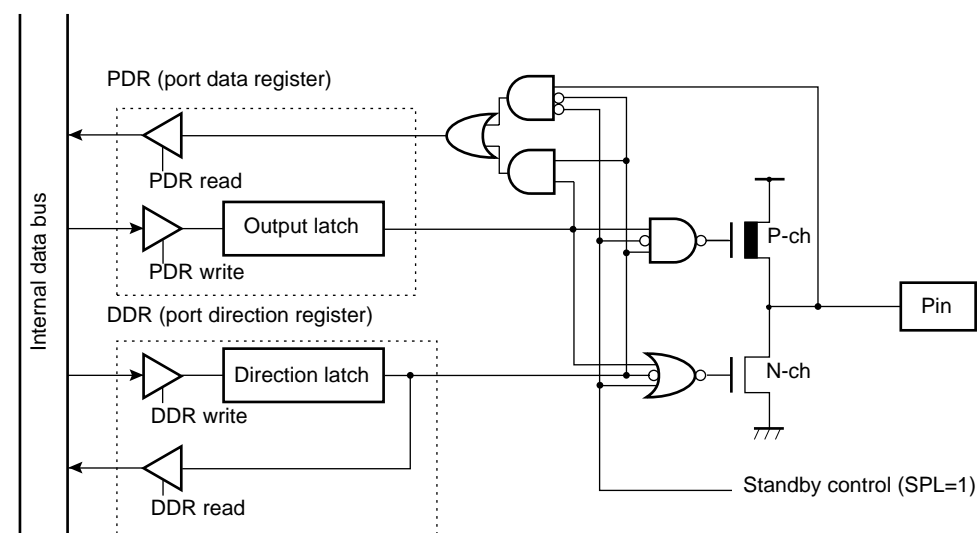
The pin is configured as an input by setting the corresponding bit of the DDR register to "0".

When the pin is configured as an input, the output buffer is turned-off and the pin is put into a high-impedance status.

When a data is written into the PDR register, the data is retained in the output latch of the PDR, but pin outputs are unaffected.

Reading the PDR register reads out the pin level ("0" or "1").

- Block diagram



Standby control: Stop, timebase timer mode and SPL=1, or hardware standby mode

## (2) N-ch Open-drain Port

Port 6 is general-purpose I/O port having a combined function as resource input/output. Each pin can be switched between resource and port bitwise.

- Operation as output port

When a data is written into the PDR register, the data is latched to the output latch of PDR. When the output latch value is set to “0”, the output transistor is turned on and the pin status is put into an “L” level output, while writing “1” turns off the transistor and put the pin in a high-impedance status.

If the output pin is pulled-up, setting output latch value to “1” puts the pin in the pull-up status.

Reading the PDR register returns the pin value (same as the output latch value in the PDR).

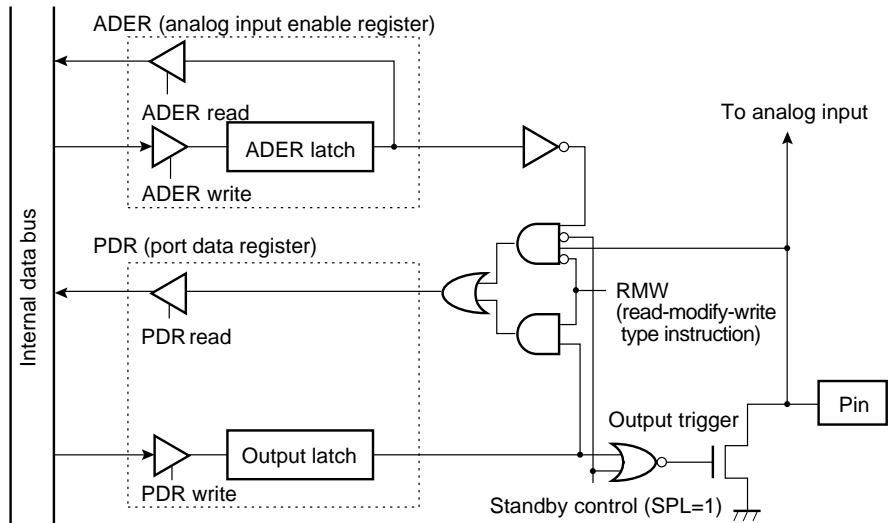
Note: Execution of a read-modify-write instruction (e.g. bit set instruction) reads out the output latch value rather than the pin value, leaving output latch that is not manipulated unchanged.

- Operation as input port

Setting corresponding bit of the PDR register to “1” turns off the output transistor and the pin is put into a high-impedance status.

Reading the PDR register returns the pin value (“0” or “1”).

- Block diagram



Standby control: Stop, timebase timer mode and SPL=1, or hardware standby mode

# MB90246A Series

## (3) Register Configuration

Address	bit 15	bit 14	bit 13	bit 12	bit 11	bit 10	bit 9	bit 8	bit 7.....bit 0	
000001H	P17	P16	P15	P14	P13	P12	P11	P10	(System reservation area)	Port 1 data register (PDR1)
	R/W	R/W	R/W	R/W	R/W	R/W	R/W	R/W		
Address	bit 15.....bit 8	bit 7	bit 6	bit 5	bit 4	bit 3	bit 2	bit 1	bit 0	
000004H	(PDR5)	P47	P46	P45	P44	P43	P42	P41	P40	Port 4 data register (PDR4)
		R/W	R/W	R/W	R/W	R/W	R/W	R/W	R/W	
Address	bit 15	bit 14	bit 13	bit 12	bit 11	bit 10	bit 9	bit 8	bit 7.....bit 0	
000005H	P57	P56	P55	P54	P53	P52	P51	P50	(PDR4)	Port 5 data register (PDR5)
	R/W	R/W	R/W	R/W	R/W	R/W	R/W	R/W		
Address	bit 15.....bit 8	bit 7	bit 6	bit 5	bit 4	bit 3	bit 2	bit 1	bit 0	
000006H	(PDR7)	P67	P66	P65	P64	P63	P62	P61	P60	Port 6 data register (PDR6)
		R/W	R/W	R/W	R/W	R/W	R/W	R/W	R/W	
Address	bit 15	bit 14	bit 13	bit 12	bit 11	bit 10	bit 9	bit 8	bit 7.....bit 0	
000007H	—	P76	P75	P74	P73	P72	P71	P70	(PDR6)	Port 7 data register (PDR7)
	—	R/W	R/W	R/W	R/W	R/W	R/W	R/W		
Address	bit 15.....bit 8	bit 7	bit 6	bit 5	bit 4	bit 3	bit 2	bit 1	bit 0	
000008H	(PDR9)	P87	P86	P85	P84	P83	P82	—	—	Port 8 data register (PDR8)
		R/W	R/W	R/W	R/W	R/W	R/W	—	—	
Address	bit 15	bit 14	bit 13	bit 12	bit 11	bit 10	bit 9	bit 8	bit 7.....bit 0	
000009H	—	P96	P95	P94	P93	P92	P91	P90	(PDR8)	Port 9 data register (PDR9)
	—	R/W	R/W	R/W	R/W	R/W	R/W	R/W		
Address	bit 15.....bit 8	bit 7	bit 6	bit 5	bit 4	bit 3	bit 2	bit 1	bit 0	
00000AH	(Vacancy)	—	—	PA5	PA4	PA3	PA2	PA1	PA0	Port A data register (PDRA)
		—	—	R/W	R/W	R/W	R/W	R/W	R/W	
Address	bit 15	bit 14	bit 13	bit 12	bit 11	bit 10	bit 9	bit 8	bit 7.....bit 0	
000011H	P17	P16	P15	P14	P13	P12	P11	P10	(System reservation area)	Port 1 direction register (DDR1)
	R/W	R/W	R/W	R/W	R/W	R/W	R/W	R/W		
Address	bit 15.....bit 8	bit 7	bit 6	bit 5	bit 4	bit 3	bit 2	bit 1	bit 0	
000014H	(DDR5)	P47	P46	P45	P44	P43	P42	P41	P40	Port 4 direction register (DDR4)
		R/W	R/W	R/W	R/W	R/W	R/W	R/W	R/W	
Address	bit 15	bit 14	bit 13	bit 12	bit 11	bit 10	bit 9	bit 8	bit 7.....bit 0	
000015H	P57	P56	P55	P54	P53	P52	P51	P50	(DDR4)	Port 5 direction register (DDR5)
	R/W	R/W	R/W	R/W	R/W	R/W	R/W	R/W		
Address	bit 15.....bit 8	bit 7	bit 6	bit 5	bit 4	bit 3	bit 2	bit 1	bit 0	
000016H	(DDR7)	P67	P66	P65	P64	P63	P62	P61	P60	Analog input enable register (ADER)
		R/W	R/W	R/W	R/W	R/W	R/W	R/W	R/W	

(Continued)

(Continued)

Address	bit 15	bit 14	bit 13	bit 12	bit 11	bit 10	bit 9	bit 8	bit 7.....bit 0	
000017 <sub>H</sub>	—	P76	P75	P74	P73	P72	P71	P70	(ADER)	Port 7 direction register (DDR7)
	—	R/W	R/W	R/W	R/W	R/W	R/W	R/W		
Address	bit 15.....bit 8	bit 7	bit 6	bit 5	bit 4	bit 3	bit 2	bit 1	bit 0	
000018 <sub>H</sub>	(DDR9)	P87	P86	P85	P84	P83	P82	—	—	Port 8 direction register (DDR8)
		R/W	R/W	R/W	R/W	R/W	R/W	—	—	
Address	bit 15	bit 14	bit 13	bit 12	bit 11	bit 10	bit 9	bit 8	bit 7.....bit 0	
000019 <sub>H</sub>	—	P96	P95	P94	P93	P92	P91	P90	(DDR8)	Port 9 direction register (DDR9)
	R/W	R/W	R/W	R/W	R/W	R/W	R/W	R/W		
Address	bit 15.....bit 8	bit 7	bit 6	bit 5	bit 4	bit 3	bit 2	bit 1	bit 0	
00001A <sub>H</sub>	(Vacancy)	—	—	PA5	PA4	PA3	PA2	PA1	PA0	Port A direction register (DDRA)
		—	—	R/W	R/W	R/W	R/W	R/W	R/W	

R/W : Readable and writable  
 — : Unused

# MB90246A Series

## 2. Timebase Timer

The timebase timer is a 18-bit free-run counter (timebase counter) for counting up in synchronization to the internal count clock (divided-by-2 of oscillation) with an interval timer function for selecting an interval time from four types of  $2^{13}/\text{HCLK}$ ,  $2^{15}/\text{HCLK}$ ,  $2^{17}/\text{HCLK}$ , and  $2^{19}/\text{HCLK}$ .

The timebase timer also has a function for supplying operating clocks for the timer output for the oscillation stabilization time or the watchdog timer etc.

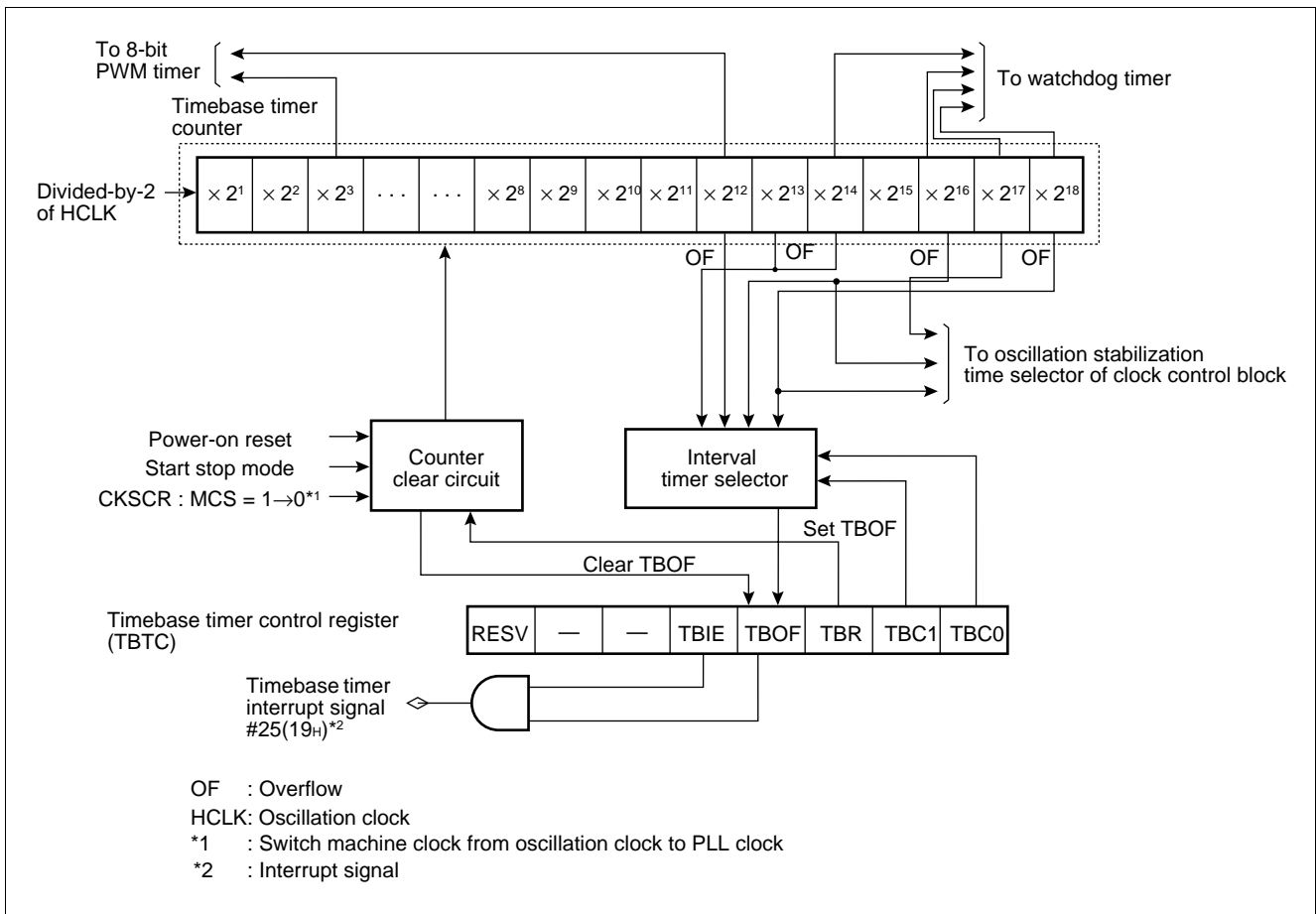
### (1) Register Configuration

- Timebase timer control register (TBTC)

Address	bit 15	bit 14	bit 13	bit 12	bit 11	bit 10	bit 9	bit 8	bit 7.....bit 0	Initial value
0000A9 <sub>H</sub>	RESV	—	—	TBIE	TBOF	TBR	TBC1	TBC0	(WDTC)	0XX00000 <sub>B</sub>
	R/W	—	—	R/W	R/W	W	R/W	R/W		

R/W: Readable and writable  
 R : Read only  
 W : Write only  
 — : Unused  
 X : Indeterminate  
 RESV: Reserved bit

### (2) Block Diagram



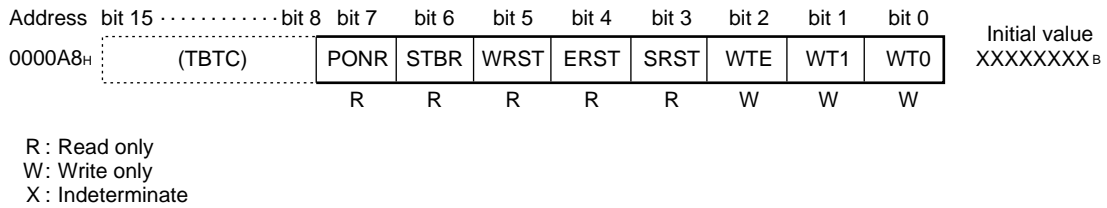


## 3. Watchdog Timer

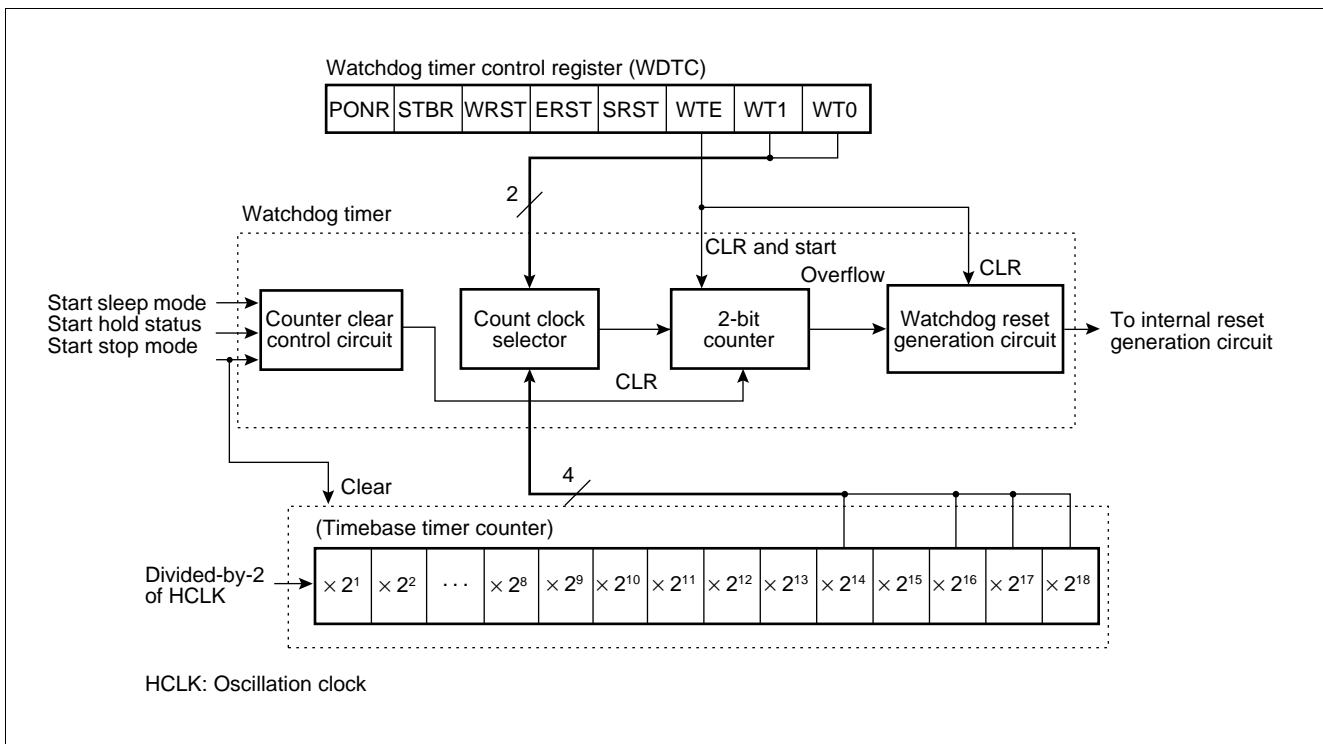
The watchdog timer is a 2-bit counter operating with an output of the timebase timer and resets the CPU when the counter is not cleared for a preset period of time.

### (1) Register Configuration

- Watchdog timer control register (WDTC)



### (2) Block Diagram



# MB90246A Series

## 4. 8-bit PWM Timer

The 8-bit PWM timer is a re-load timer module that can generate a pulse wave with any period/duty ratio. It uses pulse output control according to timer operation for PWM (Pulse Width Modulation) output.

An appropriate external circuit allows the 8-bit PWM timer to operate as a D/A converter.

The 8-bit PWM timer module consists of two 8-bit re-load registers used to specify “H” width and “L” width and of a down counter that is loaded alternately with those values and counts down.

- A pulse waveform with any period and duty ratio is generated.
- An output pulse’s duty ratio of 0.4 to 99.6 percent can be set.
- An appropriate external circuit allows this PWM timer to operate as a D/A converter.
- An interrupt request can be generated by counter underflow.
- The count clock can be selected from two types of timebase timer output.

### (1) Register Configuration

- PWM0 to 3 operating mode control register (PWM)

Address	bit 15	bit 14	bit 13	bit 12	bit 11	bit 10	bit 9	bit 8	bit 7	bit 6	bit 5	bit 4	bit 3	bit 2	bit 1	bit 0	Initial value
PWMC0 : 000034 <sub>H</sub>	(Vacancy)								PEN	PCKS	POE	PIE	PUF	—	—	RESV	0000XX1 <sub>B</sub>
PWMC1 : 000038 <sub>H</sub>	(Vacancy)								R/W	R/W	R/W	R/W	R/W	R/W	R/W	R/W	0000XX1 <sub>B</sub>
PWMC2 : 00003C <sub>H</sub>	(Vacancy)								R/W	R/W	R/W	R/W	R/W	R/W	R/W	R/W	0000XX1 <sub>B</sub>
PWMC3 : 00002C <sub>H</sub>	(Vacancy)								R/W	R/W	R/W	R/W	R/W	R/W	R/W	R/W	0000XX1 <sub>B</sub>

- PWM0 to 3 re-load register (PRL, PRLH)

Address	bit 15	bit 14	bit 13	bit 12	bit 11	bit 10	bit 9	bit 8	bit 7	bit 6	bit 5	bit 4	bit 3	bit 2	bit 1	bit 0	Initial value
PRLH0 : 000037 <sub>H</sub>																	XXXXXXXX1 <sub>B</sub>
PRLH1 : 00003B <sub>H</sub>																	XXXXXXXX1 <sub>B</sub>
PRLH2 : 00003F <sub>H</sub>	R/W	R/W	R/W	R/W	R/W	R/W	R/W	R/W	R/W	R/W	R/W	R/W	R/W	R/W	R/W	R/W	XXXXXXXX1 <sub>B</sub>
PRLH3 : 00002F <sub>H</sub>	R/W	R/W	R/W	R/W	R/W	R/W	R/W	R/W	R/W	R/W	R/W	R/W	R/W	R/W	R/W	R/W	XXXXXXXX1 <sub>B</sub>
PRL0 : 000036 <sub>H</sub>																	XXXXXXXX1 <sub>B</sub>
PRL1 : 00003A <sub>H</sub>																	XXXXXXXX1 <sub>B</sub>
PRL2 : 00003E <sub>H</sub>																	XXXXXXXX1 <sub>B</sub>
PRL3 : 00002E <sub>H</sub>																	XXXXXXXX1 <sub>B</sub>

R/W : Readable and writable  
 — : Unused  
 X : Indeterminate  
 RESV: Reserved bit



# MB90246A Series

## 5. 16-bit Re-load Timer

The 16-bit re-load timer has an internal clock mode for counting down in synchronization to three types of internal clocks and an event count mode for counting down detecting a given edge of the pulse input to the external bus pin, and either of the two functions can be selectively used.

For this timer, an “underflow” is defined as the timing of transition from the counter value of “0000H” to “FFFFH”. According to this definition, an underflow occurs after [re-load register setting value + 1] counts.

In operating the counter, the re-load mode for repeating counting operation after re-loading a counter value after an underflow or the one-shot mode for stopping the counting operation after an underflow can be selectively used.

Because the timer can generate an interrupt upon an underflow, the timer conforms to the extended intelligent I/O service (EI<sup>2</sup>OS).

The MB90246A series has 3 channels of 16-bit re-load timers.

### (1) Register Configuration

- Timer control status register 0, 1, 2 upper digits (TMCSR0, TMCSR1, TMCSR2: H)

Address	bit 15	bit 14	bit 13	bit 12	bit 11	bit 10	bit 9	bit 8	bit 7	.....	bit 0	Initial value
TMCSR0 : 000041H	—	—	—	—	CSL1	CSL0	MOD2	MOD1	(TMCSR : L)			----0000B
TMCSR1 : 000049H	—	—	—	—	R/W	R/W	R/W	R/W				
TMCSR2 : 000051H	—	—	—	—								

- Timer control status register 0, 1, 2 lower digits (TMCSR0, TMCSR1, TMCSR2: L)

Address	bit 15	.....	bit 8	bit 7	bit 6	bit 5	bit 4	bit 3	bit 2	bit 1	bit 0	Initial value
TMCSR0 : 000040H	(TMCSR : H)			MOD0	OUTE	OUTL	RELD	INTE	UF	CNTE	TRG	00000000B
TMCSR1 : 000048H				R/W	R/W	R/W	R/W	R/W	R/W	R/W	R/W	
TMCSR2 : 000050H												

- 16-bit timer register 0, 1 (TMR0, TMR1, TMR2)

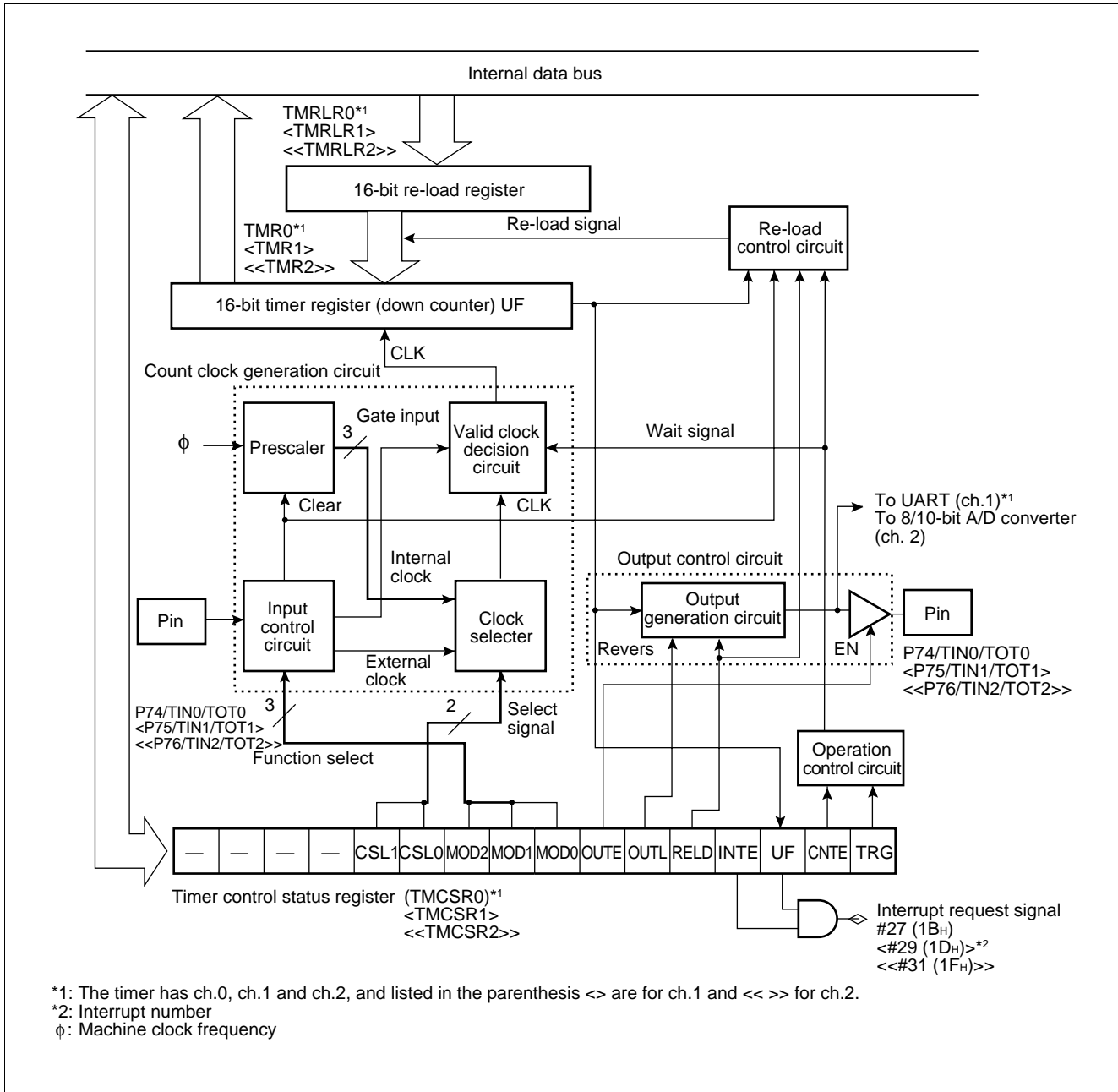
Address	bit 15	bit 14	bit 13	bit 12	bit 11	bit 10	bit 9	bit 8	bit 7	bit 6	bit 5	bit 4	bit 3	bit 2	bit 1	bit 0	Initial value
TMR0 : 000042H	D15	D14	D13	D12	D11	D10	D9	D8	D7	D6	D5	D4	D3	D2	D1	D0	XXXXXXXXB
TMR1 : 00004AH	R	R	R	R	R	R	R	R	R	R	R	R	R	R	R	R	XXXXXXXXB
TMR2 : 000052H																	XXXXXXXXB

- 16-bit re-load register 0, 1 (TMRL0, TMRL1)

Address	bit 15	bit 14	bit 13	bit 12	bit 11	bit 10	bit 9	bit 8	bit 7	bit 6	bit 5	bit 4	bit 3	bit 2	bit 1	bit 0	Initial value
TMRLR0 : 000044H	D15	D14	D13	D12	D11	D10	D9	D8	D7	D6	D5	D4	D3	D2	D1	D0	XXXXXXXXB
TMRLR1 : 00004CH	W	W	W	W	W	W	W	W	W	W	W	W	W	W	W	W	XXXXXXXXB
TMRLR2 : 000054H																	XXXXXXXXB

R/W : Readable and writable  
 R : Read only  
 W : Write only  
 — : Unused  
 X : Indeterminate

## (2) Block Diagram



# MB90246A Series

## 6. 16-bit I/O Timer

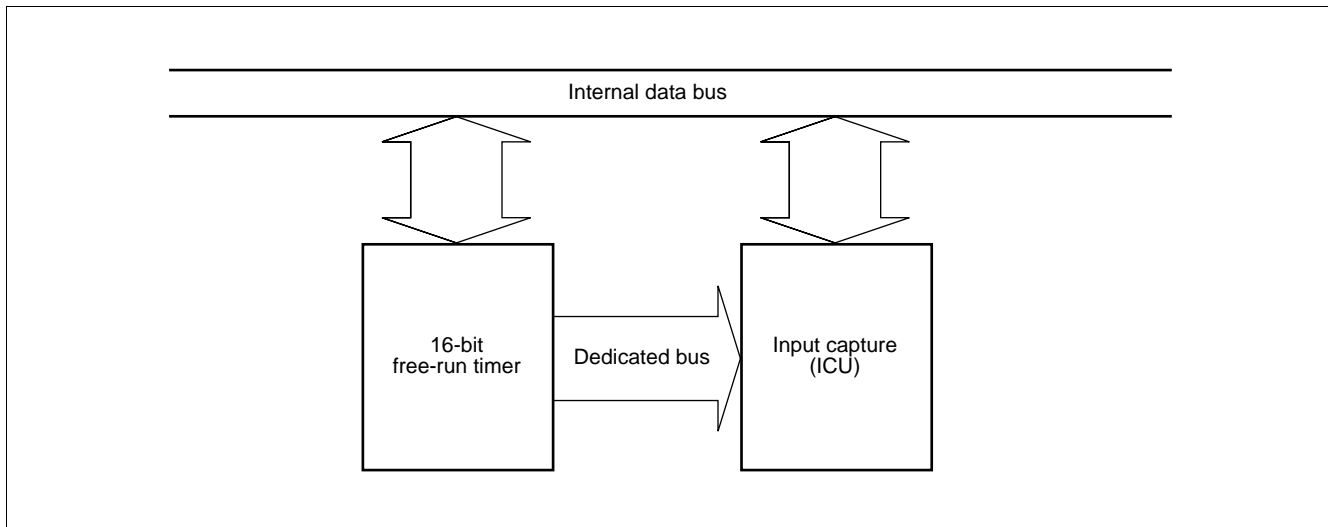
The 16-bit I/O timer module consists of one 16-bit free-run timer, two input capture (ICU) circuits, and four output comparators.

This complex module allows two independent waveforms to be output on the basis of the 16-bit free-run timer. Input pulse width and external clock periods can, therefore, be measured.

The 16-bit I/O timer consists of:

- a 16-bit free-run timer; and
- two input captures (ICU).

- **Block diagram**



## (1) 16-bit Free-run Timer

The 16-bit free-run timer consists of a 16-bit up counter, a prescaler, and a control register. The value output from the timer counter is used as basic timer (base timer) for input capture (ICU).

- A counter operation clock can be selected from four internal clocks.
- An interrupt request can be issued to the CPU by counter overflow.
- The extended intelligent I/O service (EI<sup>2</sup>OS) can be activated.
- The 16-bit free-run timer counter is cleared to "0000H" by a reset or by clearing the timer (TCCS: CLK = 0).

### • Register configuration

#### • Timer control status register (TCCS)

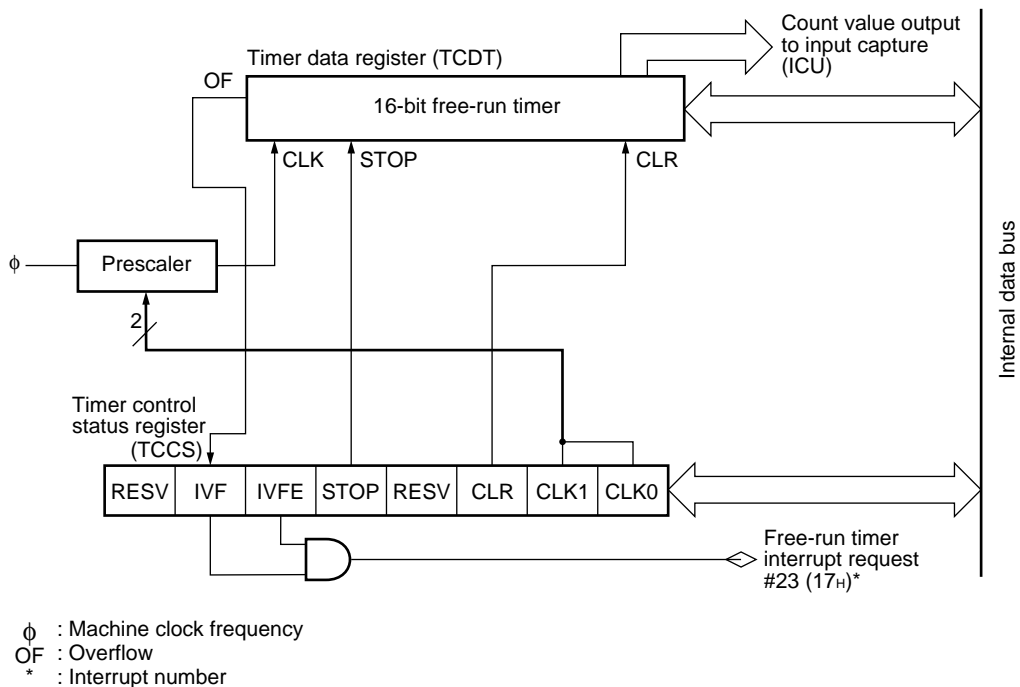
Address	bit 15	bit 14	bit 13	bit 12	bit 11	bit 10	bit 9	bit 8	bit 7	bit 6	bit 5	bit 4	bit 3	bit 2	bit 1	bit 0	Initial value
00006EH	(Vacancy)				RESV	IVF	IVFE	STOP	RESV	CLR	CLK1	CLK0					00000000 <sub>B</sub>
					R/W	R/W	R/W	R/W	R/W	R/W	R/W	R/W	R/W	R/W	R/W	R/W	

#### • Timer data register (TCDT)

Address	bit 15	bit 14	bit 13	bit 12	bit 11	bit 10	bit 9	bit 8	bit 7	bit 6	bit 5	bit 4	bit 3	bit 2	bit 1	bit 0	Initial value
00006DH 00006CH	T15	T14	T13	T12	T11	T10	T09	T08	T07	T06	T05	T04	T03	T02	T01	T00	00000000 <sub>B</sub> 00000000 <sub>B</sub>
	R/W	R/W	R/W	R/W	R/W	R/W	R/W	R/W	R/W	R/W	R/W	R/W	R/W	R/W	R/W	R/W	

R/W : Readable and writable  
RESV: Reserved bit

### • Block diagram



# MB90246A Series

## (2) Input Capture (ICU)

The input capture (ICU) consists of a capture register corresponding to two 16-bit external input pins, a control register, and an edge detector. Upon input of a trigger edge through an external input pin, the counter value of the 16-bit free-run timer is stored into the input capture register, and an interrupt request can be generated concurrently.

- A capture interrupt can be generated independently for each capture unit.
- The extended intelligent I/O service (EI<sup>2</sup>OS) can be activated.
- A trigger edge direction can be selected from rising/falling/both edges.
- Since two input capture units can be operated independent of each other, up to two events can be measured independently.
- The input capture function is suited for measurements of intervals (frequencies) and pulse-widths.

### • Register configuration

#### • Input capture control status register (ICS)

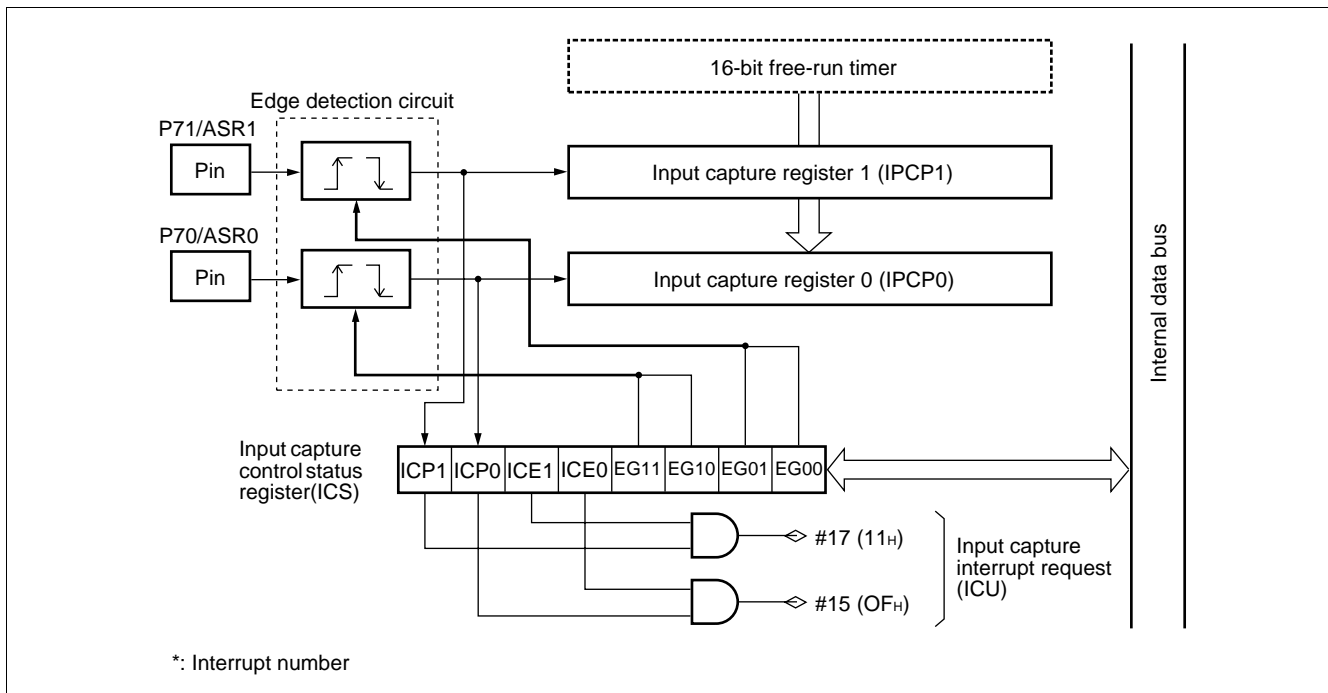
Address	bit 15	bit 14	bit 13	bit 12	bit 11	bit 10	bit 9	bit 8	bit 7	bit 6	bit 5	bit 4	bit 3	bit 2	bit 1	bit 0	Initial value
ICS0 : 000064 <sub>H</sub>	(Vacancy)								ICP1	ICP0	ICE1	ICE0	EG11	EG10	EG01	EG00	00000000 <sub>B</sub>
									R/W	R/W	R/W	R/W	R/W	R/W	R/W	R/W	

#### • Input capture register (IPCP0, IPCP1)

Address	bit 15	bit 14	bit 13	bit 12	bit 11	bit 10	bit 9	bit 8	bit 7	bit 6	bit 5	bit 4	bit 3	bit 2	bit 1	bit 0	Initial value
IPCP0 : 000061 <sub>H</sub>	CP15	CP14	CP13	CP12	CP11	CP10	CP09	CP08	CP07	CP06	CP05	CP04	CP03	CP02	CP01	CP00	XXXXXXXX <sub>B</sub>
IPCP1 : 000063 <sub>H</sub>																	XXXXXXXX <sub>B</sub>
IPCP0 : 000060 <sub>H</sub>	R/W	R/W	R/W	R/W	R/W	R/W	R/W	R/W	R/W	R/W	R/W	R/W	R/W	R/W	R/W	R/W	
IPCP1 : 000062 <sub>H</sub>																	

R/W : Readable and writable  
 R : Read only  
 X : Indeterminate

### • Block diagram





## 7. Simple I/O Serial Interface

The 8/16-bit simple I/O serial interface transfers data synchronously with a clock.

- Communications direction: Concurrent processing of transmission (Whether data is to be sent or received must be judged by the user.)
- Transfer mode: Clock synchronization function (Only data are transferred.)
- Transfer rate: DC to  $\phi/2$  ( $\phi$ : Machine clock. Frequencies of up to 8 MHz are available when the machine clock is rated at 16 MHz.)
- Shift clock: A machine clock division clock is used as the shift clock. (One of four division ratios can be selected.). A shift clock is output only during data transfer.
- Data transfer format: MSB first can be selected. 8 or 16 bits can be selected as data length. Only data are transferred.
- Interrupt request: An interrupt request is issued upon termination of transfer.
- Inter-CPU connection: Only 1:1 (bidirectional communication)

### (1) Register Configuration

- Serial control status register 1, 2 (SCR)

Address	bit 15	bit 14	bit 13	bit 12	bit 11	bit 10	bit 9	bit 8	bit 7	bit 6	bit 5	bit 4	bit 3	bit 2	bit 1	bit 0	Initial value
SCR0 : 000020 <sub>H</sub>	(SSR)								STOP	OCKE	SOE	SIE	SIR	WBS	SMD1	SMD0	10000000 <sub>B</sub>
SCR1 : 000024 <sub>H</sub>									R/W	R/W	R/W	R/W	R/W	R/W	R/W	R/W	

- Serial status register 1, 2 (SSR)

Address	bit 15	bit 14	bit 13	bit 12	bit 11	bit 10	bit 9	bit 8	bit 7	bit 6	bit 5	bit 4	bit 3	bit 2	bit 1	bit 0	Initial value
SSR1 : 000021 <sub>H</sub>	—	—	—	—	—	—	—	BUSY	(SCR)								-----1 <sub>B</sub>
SSR2 : 000025 <sub>H</sub>	—	—	—	—	—	—	—	R									

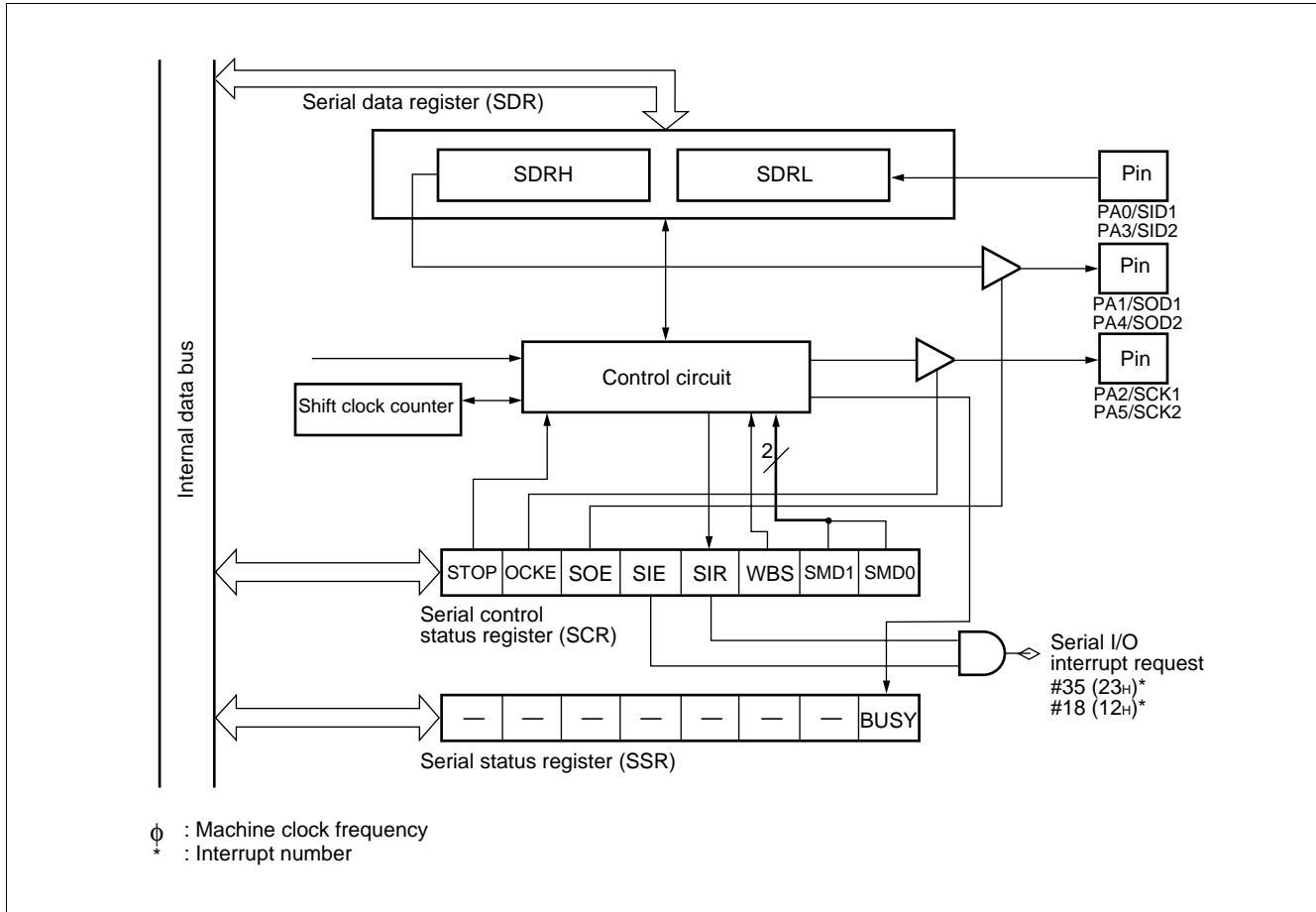
- Serial data register 1, 2 (SDR)

Address	bit 15	bit 14	bit 13	bit 12	bit 11	bit 10	bit 9	bit 8	bit 7	bit 6	bit 5	bit 4	bit 3	bit 2	bit 1	bit 0	Initial value
SDR1H : 000023 <sub>H</sub>	D15	D14	D13	D12	D11	D10	D09	D08	D07	D06	D05	D04	D03	D02	D01	D00	XXXXXXXX <sub>B</sub>
SDR2H : 000027 <sub>H</sub>	R/W	R/W	R/W	R/W	R/W	R/W	R/W	R/W	R/W	R/W	R/W	R/W	R/W	R/W	R/W	R/W	
SDR1L : 000022 <sub>H</sub>																	
SDR2L : 000026 <sub>H</sub>																	

R/W : Readable and writable  
 R : Read only  
 — : Unused  
 X : Indeterminate

# MB90246A Series

## (2) Block Diagram



## 8. UART

UART0 is a general-purpose serial data communication interface for performing synchronous or asynchronous communication (start-stop synchronization system). In addition to the normal duplex communication function (normal mode), UART0 has a master-slave type communication function (multi-processor mode).

- Data buffer: Full-duplex double buffer
- Transfer mode: Clock synchronized (with start and stop bit)  
Clock asynchronous (start-stop synchronization system)
- Baud rate: With dedicated baud rate generator, selectable from 12 types  
External clock input possible  
Internal clock (A clock supplied from 16-bit re-load timer 2 can be used.)
- Data length: 7 bit to 9 bit selective (with a parity bit)  
6 bit to 8 bit selective (without a parity bit)
- Signal format: NRZ (Non Return to Zero) system
- Reception error detection: Framing error  
Overrun error  
Parity error (not available in multi-processor mode)
- Interrupt request: Receive interrupt (receive complete, receive error detection)  
Receive interrupt (transmit complete)  
Transmit/receive conforms to extended intelligent I/O service (EI<sup>2</sup>OS)
- Master/slave type communication function: 1 (master) to n (slave) communication possible (multi-processor mode)

### (1) Register Configuration

#### • Status register (USR)

Address	bit 15	bit 14	bit 13	bit 12	bit 11	bit 10	bit 9	bit 8	bit 7	.....	bit 0	Initial value
000029 <sub>H</sub>	RDRF	OREF	PE	TDRE	RIE	BCH0	RBF	TBF	(UMC)			00010000 <sub>B</sub>
	R	R	R	R	R/W	R/W	R	R				

#### • Mode control register (UMC)

Address	bit 15	.....	bit 8	bit 7	bit 6	bit 5	bit 4	bit 3	bit 2	bit 1	bit 0	Initial value
000028 <sub>H</sub>	(USR)			PEN	SBL	MC1	MC0	SMDE	RFC	SCKE	SOE	00000100 <sub>B</sub>
				R/W	R/W	R/W	R/W	R/W	W	R/W	R/W	

#### • Rate and data register (URD)

Address	bit 15	bit 14	bit 13	bit 12	bit 11	bit 10	bit 9	bit 8	bit 7	.....	bit 0	Initial value
00002B <sub>H</sub>	BCH	RC3	RC2	RC1	RC0	BCH0	P	D8	(UIDR/UODR)			00000000 <sub>B</sub>
	R/W	R/W	R/W	R/W	R/W	R/W	R/W	R/W				

#### • Input data register (UIDR)

Address	bit 15	.....	bit 9	bit 8	bit 7	bit 6	bit 5	bit 4	bit 3	bit 2	bit 1	bit 0	Initial value
00002A <sub>H</sub>	(URD)			D8	D7	D6	D5	D4	D3	D2	D1	D0	XXXXXXXX <sub>B</sub>
				R	R	R	R	R	R	R	R	R	

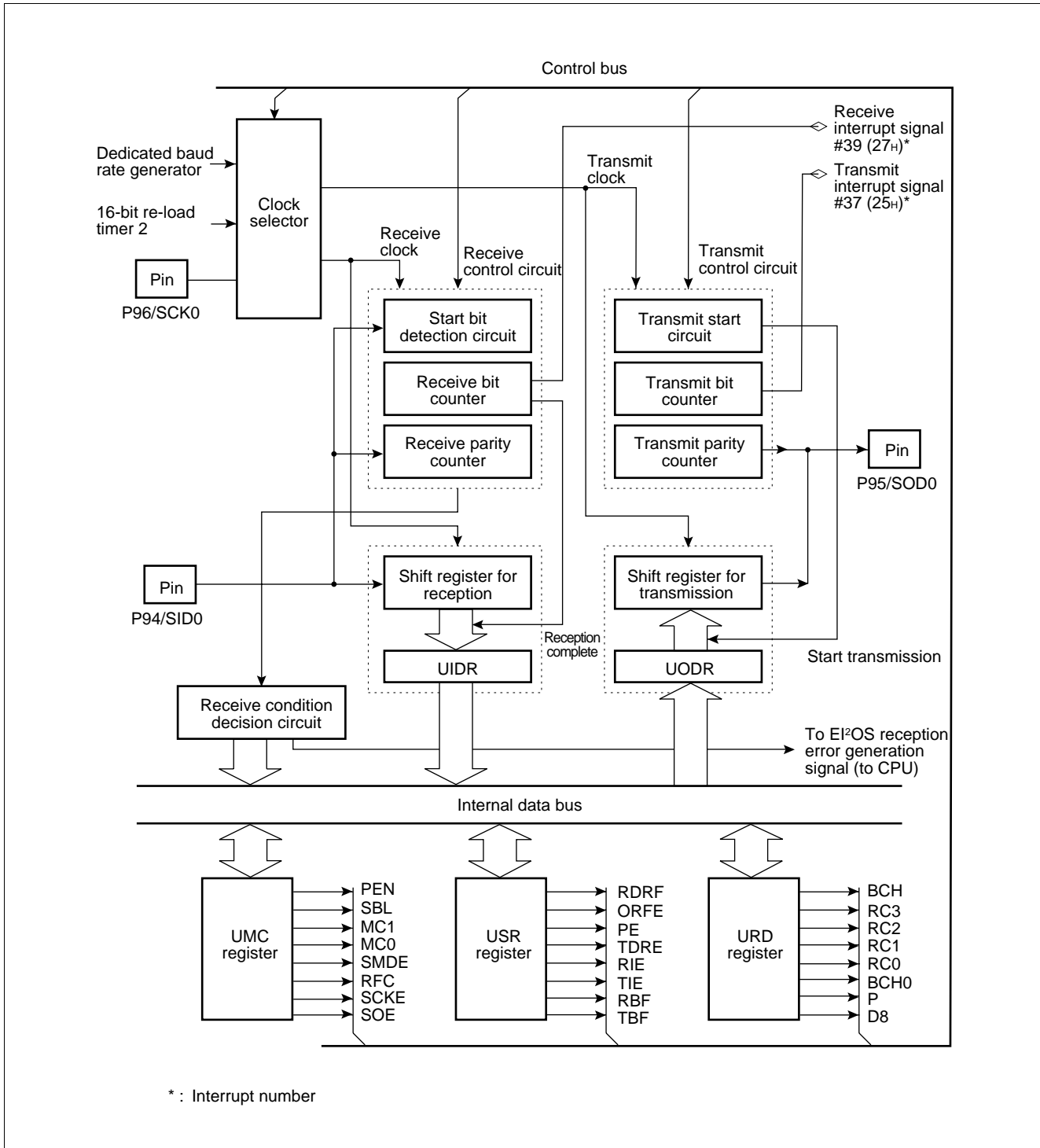
#### • Output data register (UODR)

Address	bit 15	.....	bit 9	bit 8	bit 7	bit 6	bit 5	bit 4	bit 3	bit 2	bit 1	bit 0	Initial value
00002A <sub>H</sub>	(URD)			D8	D7	D6	D5	D4	D3	D2	D1	D0	XXXXXXXX <sub>B</sub>
				W	W	W	W	W	W	W	W	W	

R/W : Readable and writable  
R : Read only  
W : Write only  
X : Indeterminate

# MB90246A Series

## (2) Block Diagram

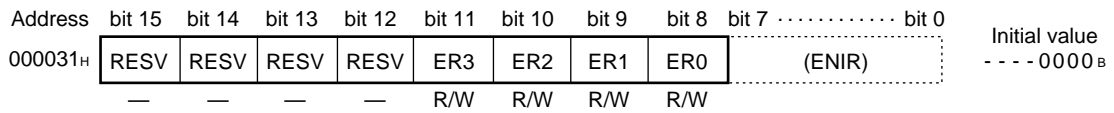


## 9. DTP/External Interrupt Circuit

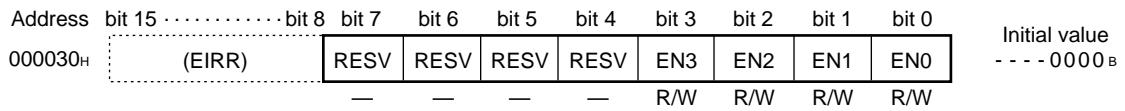
The DTP (Data Transfer Peripheral)/external interrupt circuit is located between peripheral equipment connected externally and the F<sup>2</sup>MC-16F CPU and transmit interrupt requests or data transfer requests generated by peripheral equipment to the CPU, generates external interrupt request and starts the extended intelligent I/O service (EI<sup>2</sup>OS).

### (1) Register Configuration

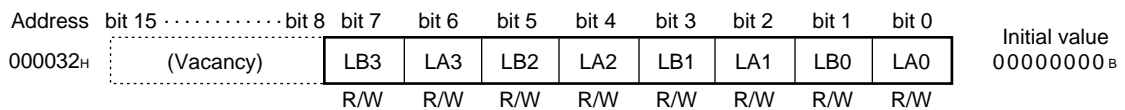
- DTP/interrupt factor register (EIRR)



- DTP/interrupt enable register (ENIR)



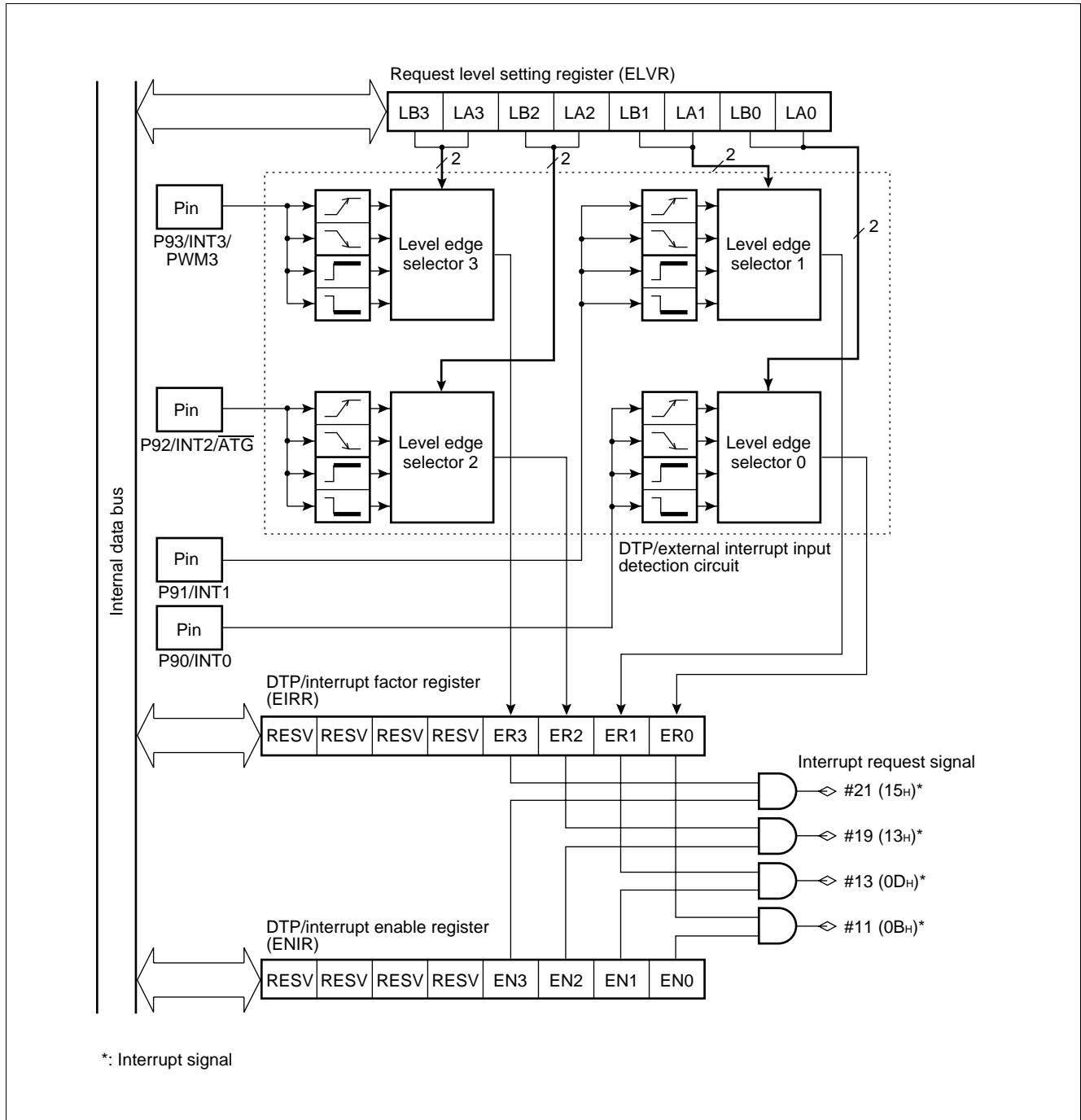
- Request level setting register (ELVR)



R/W: Readable and writable  
 — : Unused  
 RESV : Reserved bit

# MB90246A Series

## (2) Block Diagram



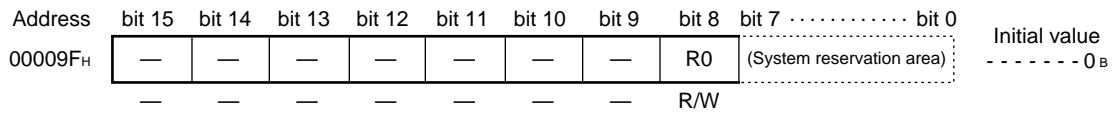
## 10. Delayed Interrupt Generation Module

The delayed interrupt generation module generates interrupts for switching tasks for development on a real-time operating system (REALOS series). The module can be used to generate softwarewise generates hardware interrupt requests to the CPU and cancel the interrupts.

This module does not conform to the extended intelligent I/O service (EI<sup>2</sup>OS).

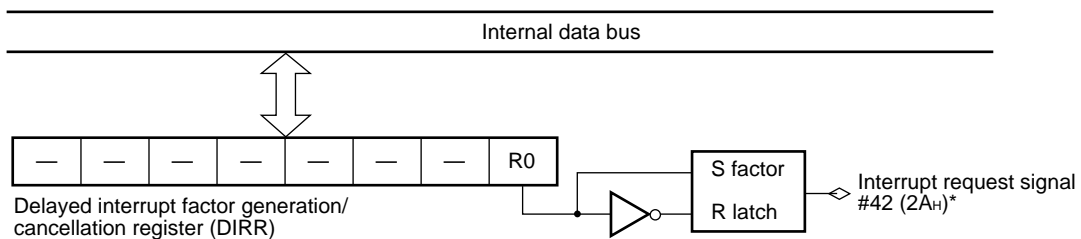
### (1) Register Configuration

- Delayed interrupt factor generation/cancellation register (DIRR)



R/W: Readable and writable  
 — : Unused

### (2) Block Diagram



\*: Interrupt signal

## 11. 8/10-bit A/D Converter

The 8/10-bit A/D converter has a function of converting analog voltage input to the analog input pins (input voltage) to digital values (A/D conversion) and has the following features.

- Minimum conversion time: 6.13  $\mu$ s (at machine clock of 16 MHz, including sampling time)
- Minimum sampling time: 3.75  $\mu$ s (at machine clock of 16 MHz)
- Conversion time: The sampling time can be set arbitrarily.
  - Serial to parallel converter with a sample hold circuit
- Conversion method
- Resolution: 10-bit or 8-bit selective
- Analog input pins: Selectable from eight channels by software
  - Single conversion mode: Single conversion for the specified channel
  - Scan conversion mode: Scan conversions for maximum of four channel
- Interrupt requests can be generated and the extended intelligent I/O service (EI<sup>2</sup>OS) can be started after the end of A/D conversion.
- Starting factors for conversion: Selected from software activation, 16-bit re-load timer 1 output (rising edge), and external trigger (falling edge).
- A data buffer that covers four channels is supported. The results of conversion are stored into the data buffer.



## (1) Register Configuration

- A/D control status register upper digits (ADCSH)

Address	bit 15	bit 14	bit 13	bit 12	bit 11	bit 10	bit 9	bit 8	bit 7	.....	bit 0	Initial value
000071 <sub>H</sub>	—	ACS2	ACS1	ACS0	—	—	CREG	SCAN	(ADCSL)			- 000 - - 00 <sub>B</sub>
	—	R/W	R/W	R/W	—	—	R/W	R/W				

- A/D control status register lower digits (ADCSL)

Address	bit 15	.....	bit 8	bit 7	bit 6	bit 5	bit 4	bit 3	bit 2	bit 1	bit 0	Initial value
000070 <sub>H</sub>	(ADCSH)			BUSY	INT	INTE	—	STS1	STS0	STAR	RESV	000 - 0000 <sub>B</sub>
				R/W	R/W	R/W	—	R/W	R/W	R/W	R/W	

- A/D data register 0 to 3 (ADTH, ADTL)

Address	bit 15	bit 14	bit 13	bit 12	bit 11	bit 10	bit 9	bit 8	bit 7	bit 6	bit 5	bit 4	bit 3	bit 2	bit 1	bit 0	Initial value
ADTH0 : 000075 <sub>H</sub>	—	—	—	—	—	—	D9	D8	D7	D6	D5	D4	D3	D2	D1	D0	-----** <sub>B</sub>
ADTH1 : 000077 <sub>H</sub>	R	R	R	R	R	R	*	*	R	R	R	R	R	R	R	R	XXXXXXXX <sub>B</sub>
ADTH2 : 000079 <sub>H</sub>	R	R	R	R	R	R	*	*	R	R	R	R	R	R	R	R	XXXXXXXX <sub>B</sub>
ADTH3 : 00007B <sub>H</sub>	R	R	R	R	R	R	*	*	R	R	R	R	R	R	R	R	XXXXXXXX <sub>B</sub>
ADTL0 : 000074 <sub>H</sub>																	
ADTL1 : 000076 <sub>H</sub>																	
ADTL2 : 000078 <sub>H</sub>																	
ADTL3 : 00007A <sub>H</sub>																	

- Conversion time setting register (ADCT)

Address	bit 15	bit 14	bit 13	bit 12	bit 11	bit 10	bit 9	bit 8	bit 7	bit 6	bit 5	bit 4	bit 3	bit 2	bit 1	bit 0	Initial value
000073 <sub>H</sub>	SMP3	SMP2	SMP1	SMP0	CV03	CV02	CV01	CV00	CV13	CV12	CV11	CV10	CV23	CV22	CV21	CV20	XXXXXXXX <sub>B</sub>
000072 <sub>H</sub>	R/W	R/W	R/W	R/W	R/W	R/W	R/W	R/W	R/W	R/W	R/W	R/W	R/W	R/W	R/W	R/W	XXXXXXXX <sub>B</sub>

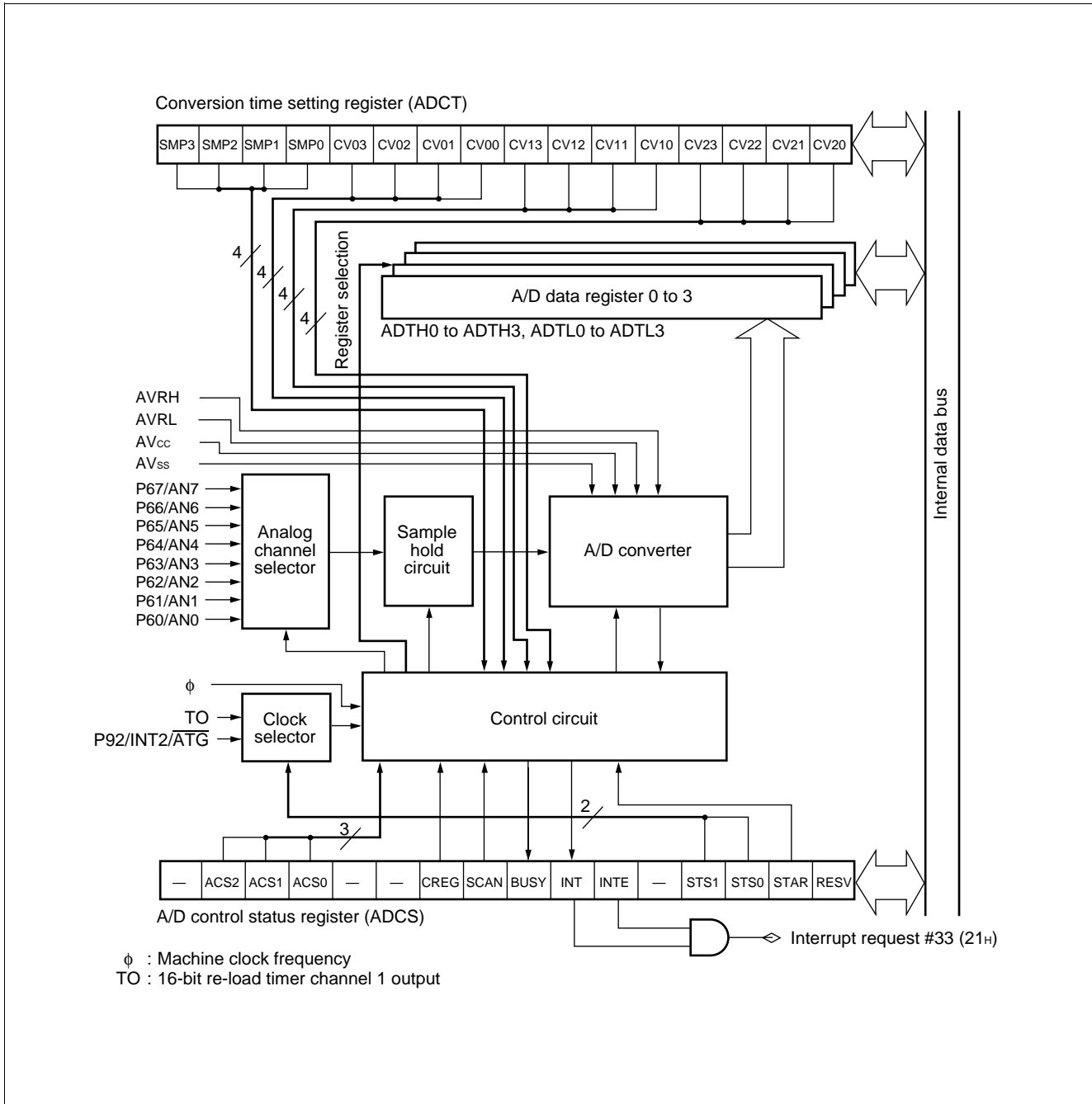
- Analog input enable register (ADER)

Address	bit 15	.....	bit 8	bit 7	bit 6	bit 5	bit 4	bit 3	bit 2	bit 1	bit 0	Initial value
000016 <sub>H</sub>	(DDR7)			ADE7	ADE6	ADE5	ADE4	ADE3	ADE2	ADE1	ADE0	11111111 <sub>B</sub>
				R/W	R/W	R/W	R/W	R/W	R/W	R/W	R/W	

R/W : Readable and writable  
 R : Read only  
 — : Unused  
 X : Indeterminate  
 \* : The CREG bit value of ADCSH makes different storage styles.  
 RESV : Reserved bit

# MB90246A Series

## (2) Block Diagram

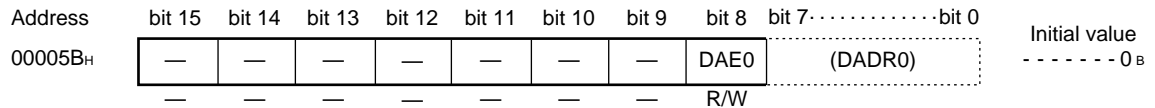


## 12. 8-bit D/A Converter

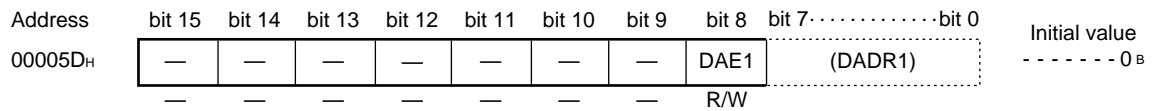
The 8-bit D/A converter, which is based on the R-2R system, supports 8-bit resolution mode. It contains two channels each of which can be controlled in terms of output by the D/A control register.

### (1) Register Configuration

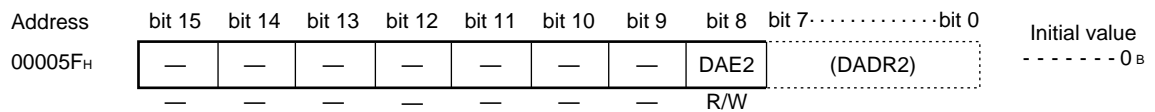
- D/A control register 0 (DACR0)



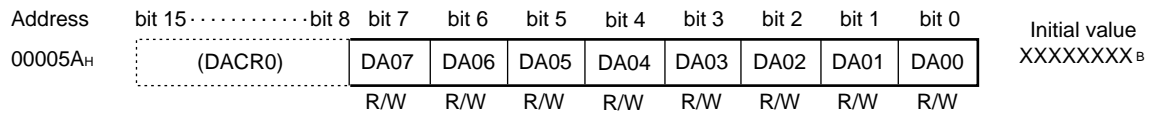
- D/A control register 1 (DACR1)



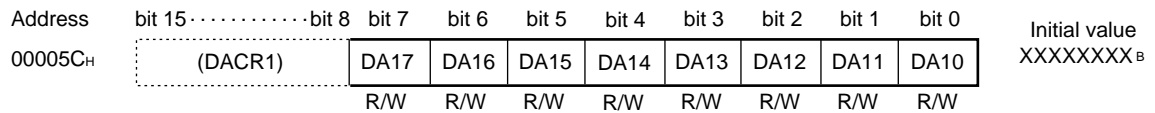
- D/A control register 2 (DACR2)



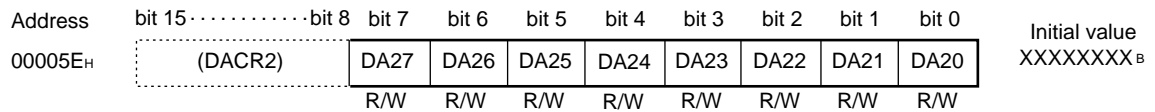
- D/A data register 0 (DADR0)



- D/A data register 1 (DADR1)



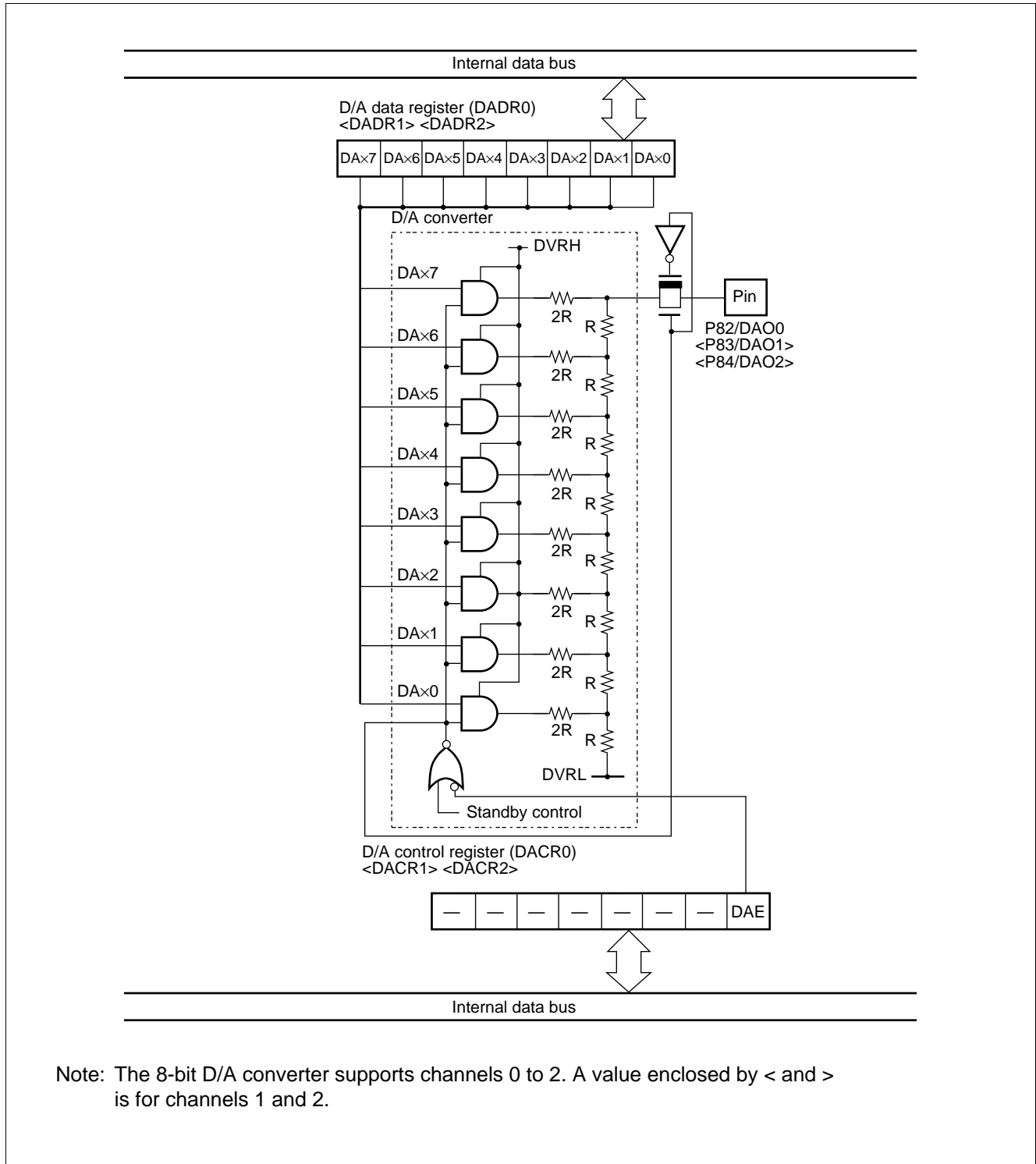
- D/A data register 2 (DADR2)



R/W : Readable and writable  
 — : Unused  
 X : Indeterminate

# MB90246A Series

## (2) Block Diagram



## 13. DSP Interface for the IIR Filter

The DSP interface for the IIR filter is a unit which covers product addition ( $\sum B_i \times Y_j + \sum A_m \times X_n$ ) by hardware. This interface allows IIR filter calculation to be performed readily and in a high speed.

The DSP interface for the IIR filter has the following features.

- Coefficients A and B, and variables X and Y have 16-bit length, and four banks are supported.
- (1 to 4) + (1 to 4) product terms can be selected.
- Data can be rounded and clipped in units of 10 or 12 bits.
- With two or more concatenated banks used, the results of an operation can be transferred to the subsequent bank register.
- Operation time:  $((M + N + 1) \times B + 1) / \phi \mu s$  (M, N = number of product terms, B = number of banks,  $\phi$ : machine clock)

### (1) Register Configuration

- Product addition control status register upper digits (MCSR:H)

Address	bit 15	bit 14	bit 13	bit 12	bit 11	bit 10	bit 9	bit 8	bit 7	.....	bit 0	Initial value
000081H	—	WEY	WENY	WENX	N1	N0	M1	M0	(MCSR:L)			-XXXXXXXX <sub>B</sub>
	—	R/W	R/W	R/W	R/W	R/W	R/W	R/W				

- Product addition control status register lower digits (MCSR:L)

Address	bit 15	.....	bit 8	bit 7	bit 6	bit 5	bit 4	bit 3	bit 2	bit 1	bit 0	Initial value
000080H	(MCSR:H)			RND	CLP	DIV	BF	BNK1	BNK0	TRG	MAE	XXX0XXX0 <sub>B</sub>
				R/W	R/W	R/W	R	R/W	R/W	W	R/W	

- Product addition control register upper digits (MCCR:H)

Address	bit 15	bit 14	bit 13	bit 12	bit 11	bit 10	bit 9	bit 8	bit 7	.....	bit 0	Initial value
000083H	—	—	—	—	—	—	RESV	RESV	(MCCR:L)			-----00 <sub>B</sub>
	—	—	—	—	—	—	R/W	R/W				

- Product addition control register lower digits (MCCR:L)

Address	bit 15	.....	bit 8	bit 7	bit 6	bit 5	bit 4	bit 3	bit 2	bit 1	bit 0	Initial value
000082H	(MCCR:H)			OVF	CNTD	CNTC	CNTB	CDRD	CDRC	CDRB	CDRA	00000000 <sub>B</sub>
				R/W	R/W	R/W	R/W	R/W	R/W	R/W	R/W	

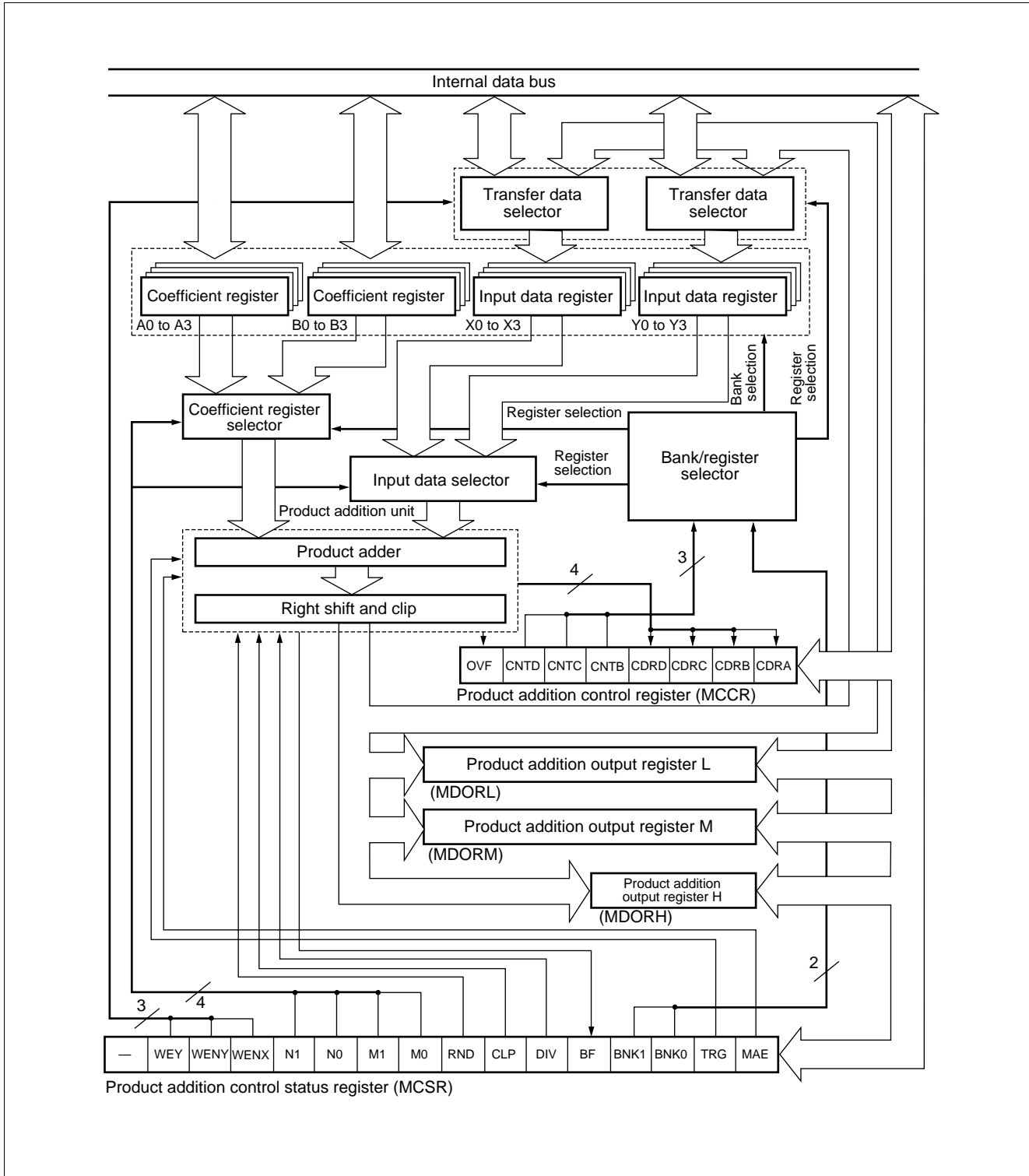
- Product addition output register (MDORL, M, H)

Address	bit 15	bit 14	bit 13	bit 12	bit 11	bit 10	bit 9	bit 8	bit 7	bit 6	bit 5	bit 4	bit 3	bit 2	bit 1	bit 0	Initial value
MDORH : 000088H								S	S	S	S	S	D34	D33	D32	XXXXXXXX <sub>B</sub>	
								R	R	R	R	R	R	R	R	R	
MDORM : 000086H	D31	D30	D29	D28	D27	D26	D25	D24	D23	D22	D21	D20	D19	D18	D17	D16	XXXXXXXX XXXXXXXX <sub>B</sub>
	R	R	R	R	R	R	R	R	R	R	R	R	R	R	R	R	
MDORL : 000084H	D15	D14	D13	D12	D11	D10	D9	D8	D7	D6	D5	D4	D3	D2	D1	D0	XXXXXXXX XXXXXXXX <sub>B</sub>
	R	R	R	R	R	R	R	R	R	R	R	R	R	R	R	R	

R/W: Readable and writable  
 R : Read only  
 W : Write only  
 — : Unused  
 X : Indeterminate  
 RESV : Reserved bit

# MB90246A Series

## (2) Block Diagram



## 14. Low-power Consumption (Stand-by) Mode

The F<sup>2</sup>MC-16F has the following CPU operating mode configured by selection of an clock operation control.

- **Stand-by mode**

The hardware stand-by mode is a mode for reducing power consumption by stopping clock supply to the CPU by the low-power consumption control circuit, and stopping oscillation clock (stop mode, hardware standby mode).

Gear function contributes to the low-power dissipation by providing options of divide-by-2, 4, or 16 external clock frequencies, which are usually derived from non-divided frequencies.

### (1) Register Configuration

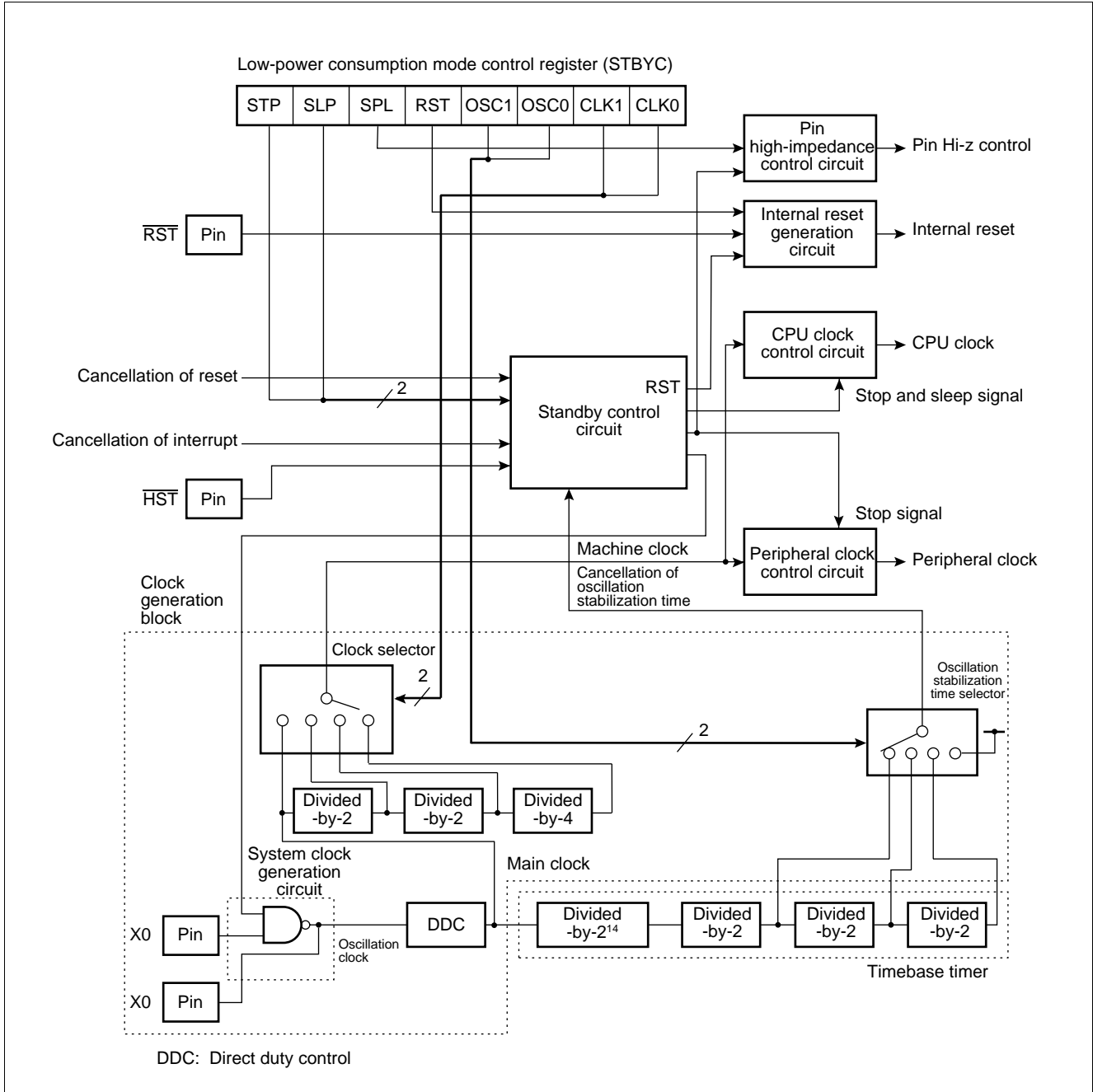
- Standby control register (STBYC)

Address	bit 15	.....	bit 8	bit 7	bit 6	bit 5	bit 4	bit 3	bit 2	bit 1	bit 0	Initial value
0000A0 <sub>H</sub>	(Vacancy)			STP	SLP	SPL	RST	OSC1	OSC0	CLK1	CLK0	0001XXXX <sub>B</sub>
				W	W	R/W	R/W	R/W	R/W	R/W	R/W	

R/W : Readable and writable  
 W : Write only  
 X : Indeterminate

# MB90246A Series

## (2) Block Diagram





## ■ ELECTRICAL CHARACTERISTICS

### 1. Absolute Maximum Ratings

( $V_{SS} = V_{SS} = 0.0\text{ V}$ )

Parameter	Symbol	Value		Unit	Remarks
		Min.	Max.		
Power supply voltage	$V_{CC}$	$V_{SS} - 0.3$	$V_{SS} + 7.0$	V	
	$AV_{CC}$	$V_{SS} - 0.3$	$V_{SS} + 7.0$	V	*1
	AVRH, AVRL	$V_{SS} - 0.3$	$V_{SS} + 7.0$	V	*1
	DVRH, DVRL	$V_{SS} - 0.3$	$V_{SS} + 7.0$	V	*1
Input voltage	$V_I$	$V_{SS} - 0.3$	$V_{CC} + 0.3$	V	*2
Output voltage	$V_O$	$V_{SS} - 0.3$	$V_{CC} + 0.3$	V	*2
"L" level maximum output current	$I_{OL}$	—	10	mA	*3
"L" level average output current	$I_{OLAV}$	—	4	mA	*4
"L" level total average output current	$\Sigma I_{OLAV}$	—	50	mA	*5
"H" level maximum output current	$I_{OH}$	—	-10	mA	*3
"H" level average output current	$I_{OHAV}$	—	-4	mA	*4
"H" level total average output current	$\Sigma I_{OHAV}$	—	-48	mA	*5
Power consumption	$P_D$	—	600	mW	
Operating temperature	$T_A$	-30	+70	°C	
Storage temperature	$T_{stg}$	-55	+150	°C	

\*1:  $AV_{CC}$ , AVRH, AVRL, DVRH and DVRL shall never exceed  $V_{CC}$ .

DVRL shall never exceed DVRH. AVRL shall never exceed AVRH.

\*2:  $V_I$  and  $V_O$  shall never exceed  $V_{CC} + 0.3\text{ V}$ .

\*3: The maximum output current is a peak value for a corresponding pin.

\*4: Average output current is an average current value observed for a 100 ms period for a corresponding pin.

\*5: Total average current is an average current value observed for a 100 ms period for all corresponding pins.

WARNING: Semiconductor devices can be permanently damaged by application of stress (voltage, current, temperature, etc.) in excess of absolute maximum ratings. Do not exceed these ratings.

# MB90246A Series

## 2. Recommended Operating Conditions

( $V_{SS} = V_{SS} = 0.0\text{ V}$ )

Parameter	Symbol	Value		Unit	Remarks
		Min.	Max.		
Power supply voltage	$V_{CC}$	4.5	5.5	V	Normal operation
	$V_{CC}$	2.0	5.5	V	Retains RAM data at the time of operation stop
Operating temperature	$T_A$	-30	+70	°C	External bus mode

**WARNING:** The recommended operating conditions are required in order to ensure the normal operation of the semiconductor device. All of the device's electrical characteristics are warranted when the device is operated within these ranges.

Always use semiconductor devices within their recommended operating condition ranges. Operation outside these ranges may adversely affect reliability and could result in device failure.

No warranty is made with respect to uses, operating conditions, or combinations not represented on the data sheet. Users considering application outside the listed conditions are advised to contact their FUJITSU representatives beforehand.

# MB90246A Series

## 3. DC Characteristics

( $AV_{CC} = V_{CC} = 4.5 \text{ V to } 5.5 \text{ V}$ ,  $AV_{SS} = V_{SS} = 0.0 \text{ V}$ ,  $T_A = -30^\circ\text{C to } +70^\circ\text{C}$ )

Parameter	Symbol	Pin name	Condition	Value			Unit	Remarks
				Min.	Typ.	Max.		
"H" level input voltage	$V_{IH}$	CMOS input pin	—	$0.7 V_{CC}$	—	$V_{CC} + 0.3$	V	
	$V_{IH2}$	TTL input pin	$V_{CC} = 5.0 \text{ V} \pm 10\%$	2.2	—	$V_{CC} + 0.3$	V	
	$V_{IH1S}$	Hysteresis input pin	—	$0.8 V_{CC}$	—	$V_{CC} + 0.3$	V	
	$V_{IHM}$	MD0 to MD2		$V_{CC} - 0.3$	—	$V_{CC} + 0.3$	V	
"L" level input voltage	$V_{IL1}$	CMOS input pin	—	$V_{CC} - 0.3$	—	$0.3 V_{CC}$	V	
	$V_{IL2}$	TTL input pin		$V_{CC} = 5.0 \text{ V} \pm 10\%$	$V_{CC} - 0.3$	—	0.8	V
	$V_{IL1S}$	Hysteresis input pin	—	$V_{CC} - 0.3$	—	$0.2 V_{CC}$	V	
	$V_{ILM}$	MD0 to MD2		$V_{CC} - 0.3$	—	$V_{CC} + 0.3$	V	
"H" level output voltage	$V_{OH}$	All ports other than P60 to P67	$V_{CC} = 4.5 \text{ V}$ $I_{OH} = -4.0 \text{ mA}$	$V_{CC} - 0.5$	—	—	V	
"L" level output voltage	$V_{OL}$	All output pins	$V_{CC} = 4.5 \text{ V}$ $I_{OL} = 4.0 \text{ mA}$	—	—	0.4	V	
Open-drain output leakage current	$I_{LEAK}$	P60 to P67	—	—	0.1	10	$\mu\text{A}$	
"H" level input current	$I_{IH1}$	CMOS input pins other than $\overline{\text{RST}}$	$V_{CC} = 5.5 \text{ V}$ $V_{IH} = 0.7 V_{CC}$	—	—	-10	$\mu\text{A}$	
	$I_{IH2}$	TTL input pin	$V_{CC} = 5.5 \text{ V}$ $V_{IH} = 2.2 V_{CC}$	—	—	-10	$\mu\text{A}$	
	$I_{IH3}$	Hysteresis input pin	$V_{CC} = 5.5 \text{ V}$ $V_{IH} = 0.8 V_{CC}$	—	—	-10	$\mu\text{A}$	
"L" level input current	$I_{IL1}$	CMOS input pins other than $\overline{\text{RST}}$	$V_{CC} = 5.5 \text{ V}$ $V_{IL} = 0.3 V_{CC}$	—	—	10	$\mu\text{A}$	
	$I_{IL2}$	TTL input pin	$V_{CC} = 5.5 \text{ V}$ $V_{IL} = 0.8 \text{ V}$	—	—	10	$\mu\text{A}$	
	$I_{IL3}$	Hysteresis input pin	$V_{CC} = 5.5 \text{ V}$ $V_{IL} = 0.2 V_{CC}$	—	—	10	$\mu\text{A}$	
Pull-up resistance	R	$\overline{\text{RST}}$	—	22	—	110	$\text{k}\Omega$	

(Continued)

# MB90246A Series

(Continued)

( $AV_{CC} = V_{CC} = 4.5\text{ V to }5.5\text{ V}$ ,  $AV_{SS} = V_{SS} = 0.0\text{ V}$ ,  $T_A = -30^\circ\text{C to }+70^\circ\text{C}$ )

Parameter	Symbol	Pin name	Condition	Value			Unit	Remarks
				Min.	Typ.	Max.		
Power supply current	$I_{CC}$	$V_{CC}$	Internal operation at 16 MHz $V_{CC} = 5.0\text{ V} \pm 10\%$ Normal operation	—	80	100	mA	
	$I_{CCS}$	—	Internal operation at 16 MHz $V_{CC} = 5.0\text{ V} \pm 10\%$ In sleep mode	—	30	50	mA	
	$I_{CCH}$	—	$T_A = +25^\circ\text{C}$ $V_{CC} = 4.5\text{ V to }5.5\text{ V}$ In stop mode and hardware standby mode	—	0.1	10	$\mu\text{A}$	
Input capacitance	$C_{IN}$	Other than $AV_{CC}$ , $AV_{SS}$ , $V_{CC}$ , $V_{SS}$	—	—	10	—	pF	

## 4. AC Characteristics

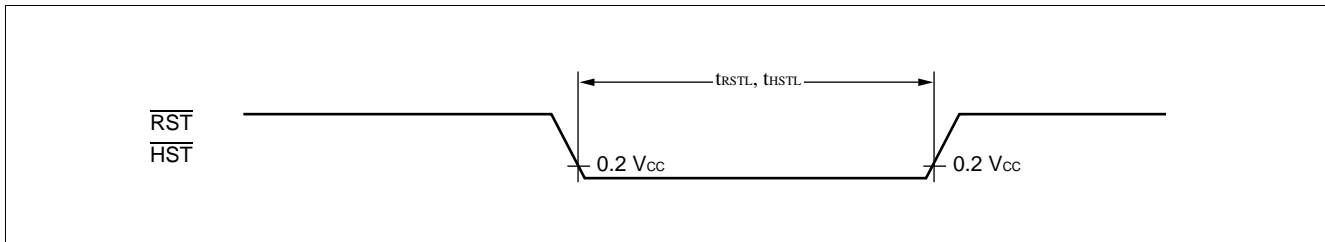
### (1) Reset, Hardware Standby Input Timing

( $AV_{CC} = V_{CC} = 4.5\text{ V to }5.5\text{ V}$ ,  $AV_{SS} = V_{SS} = 0.0\text{ V}$ ,  $T_A = -30^\circ\text{C to }+70^\circ\text{C}$ )

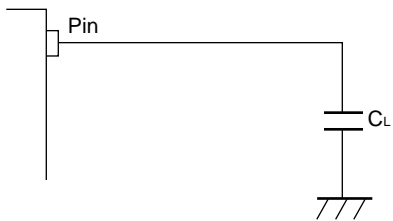
Parameter	Symbol	Pin name	Condition	Value		Unit	Remarks
				Min.	Max.		
Reset input time	$t_{RSTL}$	$\overline{RST}$	—	$5 t_{CYC}^*$	—	ns	
Hardware standby input time	$t_{HSTL}$	$\overline{HST}$	—	$5 t_{CYC}^*$	—	ns	

\* : For  $t_{CYC}$  (cycle time (machine cycle)), see paragraph (4), "Clock output timing."

Note: Upon hardware standby input, divide-by-32 is selected as the machine cycle.



#### • Measurement conditions for AC ratings



$C_L$  is a load capacitance connected to a pin under test.

Capacitors of  $C_L = 30\text{ pF}$  should be connected to CLK pin, while  $C_L$  of  $80\text{ pF}$  is connected to address bus (A23 to A00) and data bus (D15 to D00),  $\overline{RD}$ ,  $\overline{WRH}$  and  $\overline{WRL}$  pins.

# MB90246A Series

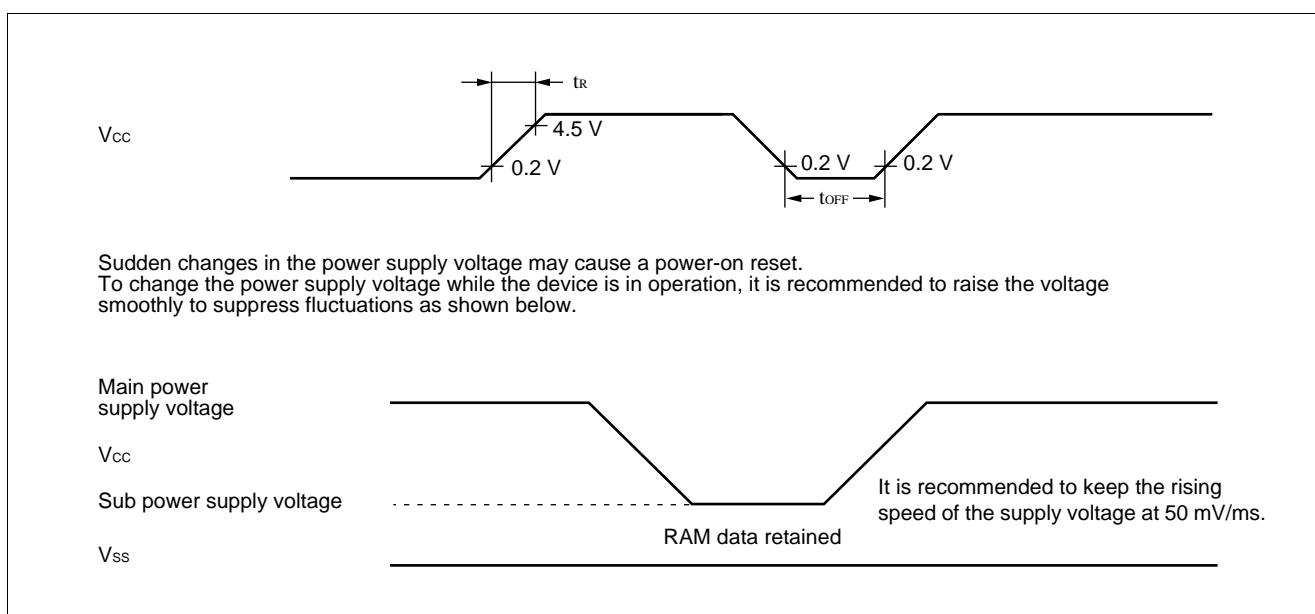
## (2) Specification for Power-on Reset

( $A_{V_{SS}} = V_{SS} = 0.0 \text{ V}$ ,  $T_A = -30^\circ\text{C}$  to  $+70^\circ\text{C}$ )

Parameter	Symbol	Pin name	Condition	Value		Unit	Remarks
				Min.	Max.		
Power supply rising time	$t_R$	$V_{CC}$	—	—	30	ms	*
Power supply cut-off time	$t_{OFF}$	$V_{CC}$	—	1	—	ms	Due to repeated operations

\* :  $V_{CC}$  must be kept lower than 0.2 V before power-on.

- Notes:
- The above ratings are values for causing a power-on reset.
  - When  $\overline{\text{HST}}$  is set to "L", apply power according to this table to cause a power-on reset irrespective of whether or not a power-on reset is required.
  - For built-in resources in the device, re-apply power to the resources to cause a power-on reset.



# MB90246A Series

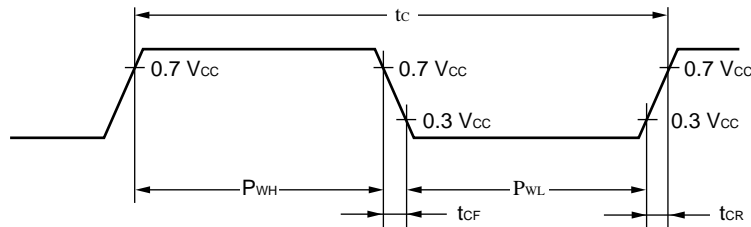
## (3) Clock Timings

- Operation at 5.0 V  $\pm$ 10%

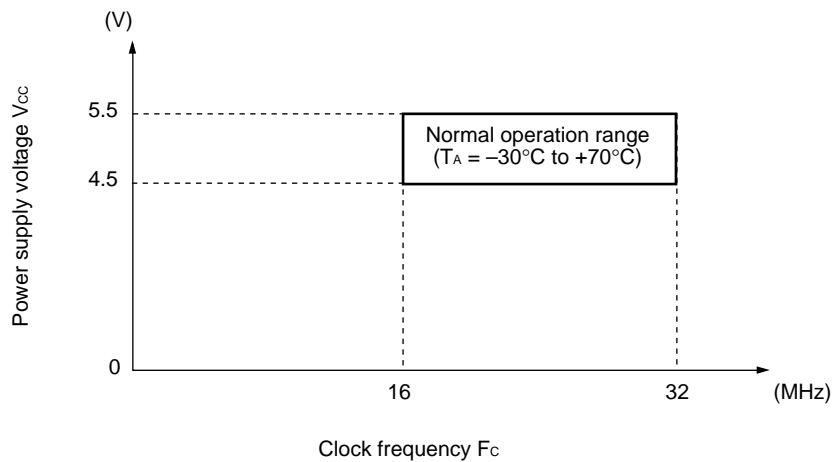
( $A_{V_{SS}} = V_{SS} = 0.0$  V,  $T_A = -30^\circ\text{C}$  to  $+70^\circ\text{C}$ )

Parameter	Symbol	Pin name	Condition	Value			Unit	Remarks
				Min.	Typ.	Max.		
Clock frequency	$F_c$	X0, X1	$V_{CC} = 5.0$ V $\pm$ 10%	16	—	32	MHz	
Clock cycle time	$t_c$	X0, X1		$1/F_c$	—	—	ns	
Input clock pulse width	$P_{WH}$ , $P_{WL}$	X0	—	10	—	—	ns	Recommended duty ratio of 30% to 70%
Input clock rising/ falling time	$t_{CR}$ , $t_{CF}$	X0	$V_{CC} = 5.0$ V $\pm$ 10%	—	—	11	ns	Maximum value = $t_{CR} + t_{CF}$

### • Clock timings



### • Relationship between clock frequency and power supply voltage



# MB90246A Series

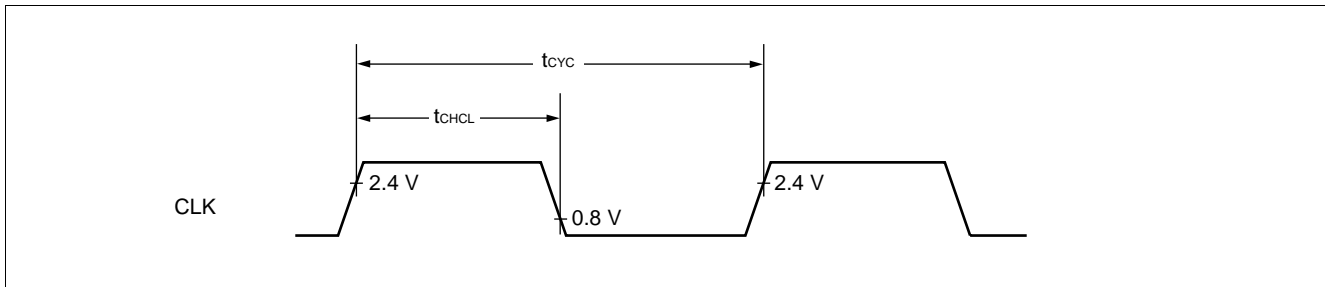
## (4) Clock Output Timing

( $V_{CC} = V_{CC} = 4.5\text{ V to }5.5\text{ V}$ ,  $V_{SS} = V_{SS} = 0.0\text{ V}$ ,  $T_A = -30^\circ\text{C to }+70^\circ\text{C}$ )

Parameter	Symbol	Pin name	Condition	Value		Unit	Remarks
				Min.	Max.		
Cycle time (machine cycle)	$t_{CYC}$	CLK	—	$2 t_c^{*1}$	$32 t_c^{*1*2}$	ns	
CLK $\uparrow \rightarrow$ CLK $\downarrow$	$t_{CHCL}$	CLK	$V_{CC} = 5.0\text{ V} \pm 10\%$	$1 t_{CYC}/2 - 20$	$1 t_{CYC}/2 + 20$	ns	

\*1: For  $t_c$  (clock cycle time), refer to “(3) Clock Timings.”

\*2: This case is applied when the lowest speed (1/16) is selected by the clock gear function with the clock frequency ( $F_c$ ) set at 16 MHz.





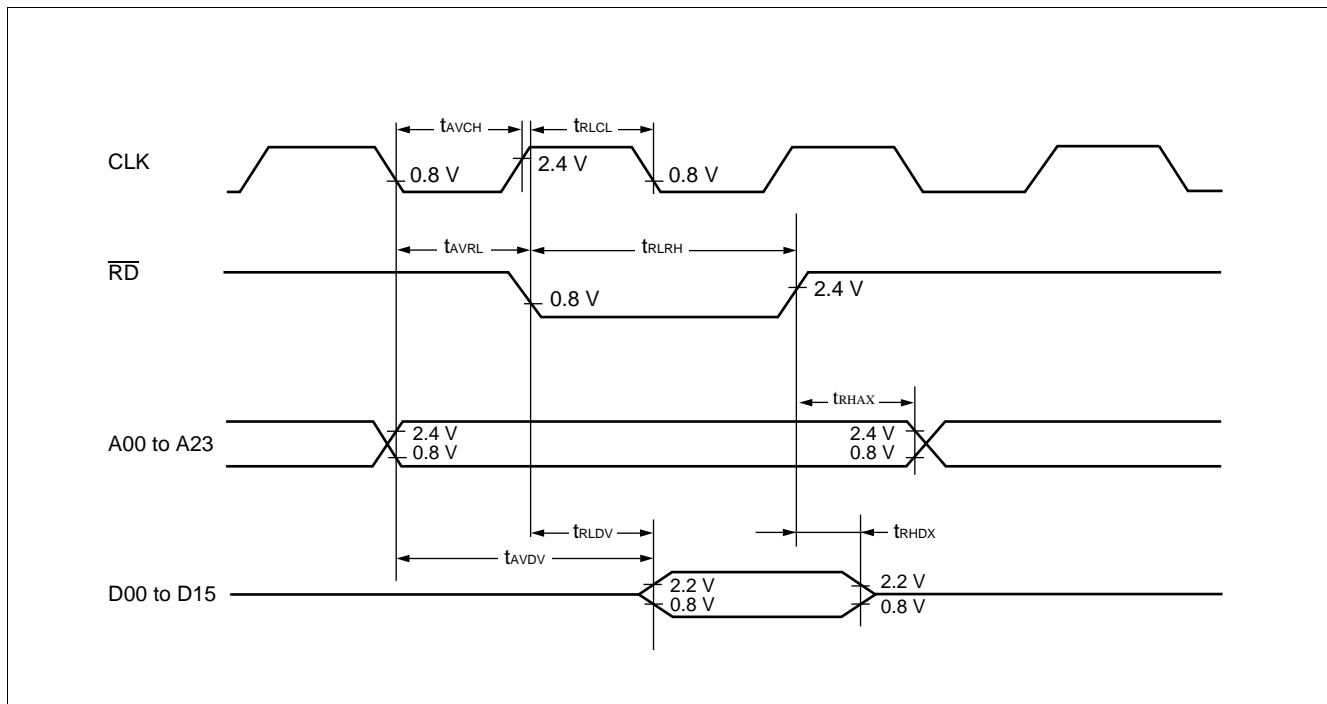
## (3) Bus Read Timing

( $V_{CC} = V_{CC} = 2.7 \text{ V to } 5.5 \text{ V}$ ,  $V_{SS} = V_{SS} = 0.0 \text{ V}$ ,  $T_A = -40^\circ\text{C to } +85^\circ\text{C}$ )

Parameter	Symbol	Pin name	Condition	Value		Unit	Remarks
				Min.	Max.		
Effective address → $\overline{\text{RD}} \downarrow$ time	$t_{\text{AVRL}}$	A00 to A23	$V_{CC} = 5.0 \text{ V} \pm 10\%$	$1 t_{\text{CYC}}^* / 2 - 20$	—	ns	
Effective address → effective data input	$t_{\text{AVDV}}$	D15 to D00		—	$(N + 1.5) \times 1 t_{\text{CYC}}^* - 40$	ns	
$\overline{\text{RD}}$ pulse width	$t_{\text{RLRH}}$	$\overline{\text{RD}}$	—	$(N + 1) \times 1 t_{\text{CYC}}^* - 25$	—	ns	
$\overline{\text{RD}} \downarrow \rightarrow$ effective data input	$t_{\text{RLDV}}$	D15 to D00	$V_{CC} = 5.0 \text{ V} \pm 10\%$	—	$(N + 1) \times 1 t_{\text{CYC}}^* - 30$	ns	
$\overline{\text{RD}} \uparrow \rightarrow$ data hold time	$t_{\text{RHDX}}$	D15 to D00	—	0	—	ns	
$\overline{\text{RD}} \uparrow \rightarrow$ address effective time	$t_{\text{RHAX}}$	A00 to A23		$1 t_{\text{CYC}}^* / 2 - 20$	—	ns	
Effective address → CLK $\uparrow$ time	$t_{\text{AVCH}}$	CLK, A00 to A23		$1 t_{\text{CYC}}^* / 2 - 25$	—	ns	
$\overline{\text{RD}} \downarrow \rightarrow$ CLK $\uparrow$ time	$t_{\text{RLCL}}$	$\overline{\text{RD}}$ , CLK		$1 t_{\text{CYC}}^* / 2 - 25$	—	ns	

N: Stands for the number of wait cycles. With no wait, N is set at "0". (The number of wait cycles depends on an automatic wait and external RDY.)

\* : For  $t_{\text{CYC}}$  (cycle time (machine cycle)), see paragraph (4), "Clock output timing."



# MB90246A Series

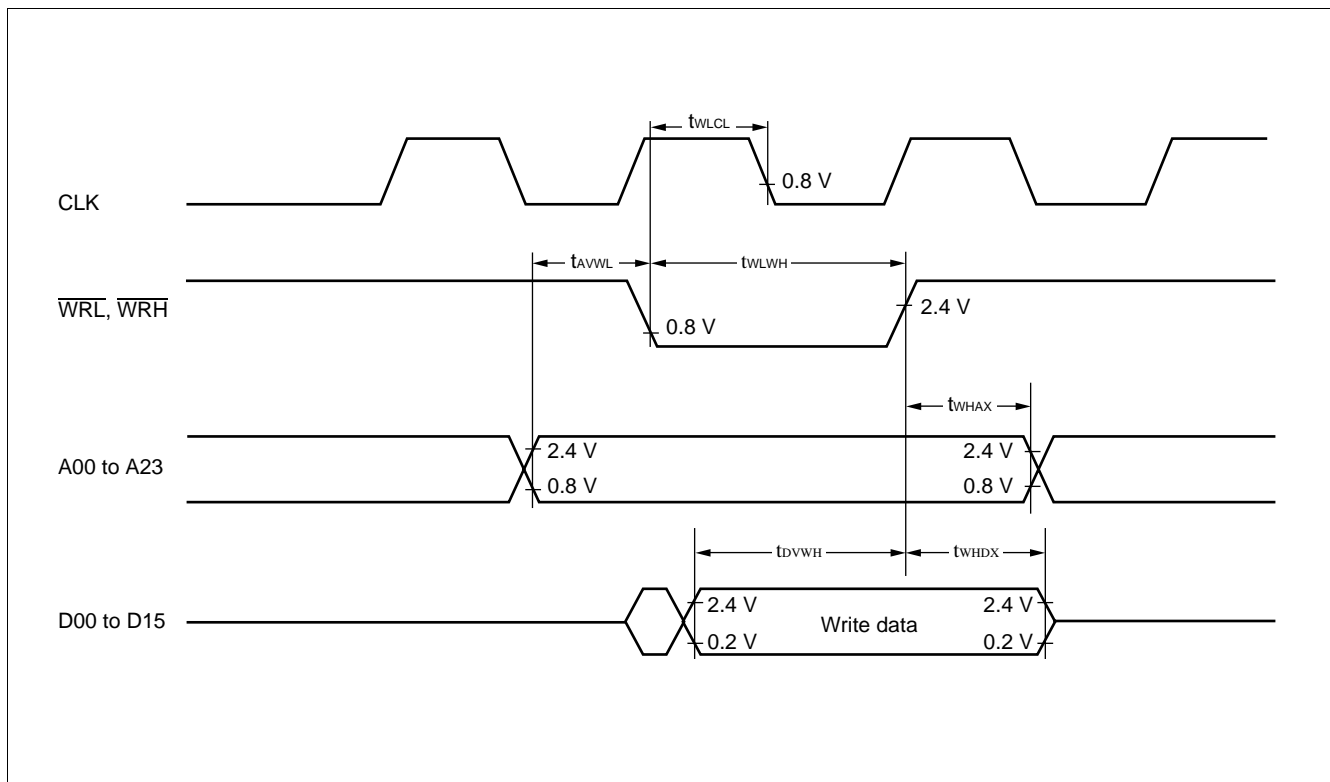
## (4) Bus Write Timing

( $AV_{CC} = V_{CC} = 4.5\text{ V to }5.5\text{ V}$ ,  $AV_{SS} = V_{SS} = 0.0\text{ V}$ ,  $T_A = -30^{\circ}\text{C to }+70^{\circ}\text{C}$ )

Parameter	Symbol	Pin name	Condition	Value		Unit	Remarks
				Min.	Max.		
Effective address → $\overline{WRL}$ , $\overline{WRH}$ ↓ time	$t_{AVWL}$	A00 to A23	$V_{CC} = 5.0\text{ V} \pm 10\%$	$1\ t_{CYC}^*/$ 2 – 20	—	ns	
$\overline{WRL}$ , $\overline{WRH}$ pulse width	$t_{WLWH}$	$\overline{WRL}$ , $\overline{WRH}$		$(N + 1) \times$ $1\ t_{CYC}^* - 25$	—	ns	
Write data → $\overline{WRL}$ , $\overline{WRH}$ ↑ time	$t_{DVWH}$	D15 to D00		$(N + 1) \times$ $1\ t_{CYC}^* - 40$	—	ns	
$\overline{WRL}$ , $\overline{WRH}$ ↑ → data hold time	$t_{WHDX}$	D15 to D00	$V_{CC} = 5.0\text{ V} \pm 10\%$	$1\ t_{CYC}^*/$ 2 – 20	—	ns	
$\overline{WRL}$ , $\overline{WRH}$ ↑ → address effective time	$t_{WHAX}$	A00 to A23	—	$1\ t_{CYC}^*/$ 2 – 20	—	ns	
$\overline{WRL}$ , $\overline{WRH}$ ↓ → CLK ↓ time	$t_{WLCL}$	$\overline{WRL}$ , CLK	—	$1\ t_{CYC}^*/$ 2 – 25	—	ns	

N: Stands for the number of wait cycles. With no wait, N is set at "0". (The number of wait cycles depends on an automatic wait and external RDY.)

\* : For  $t_{CYC}$  (cycle time (machine cycle)), see paragraph (4), "Clock output timing."



## (5) Ready Input Timing

- CLK signal standards

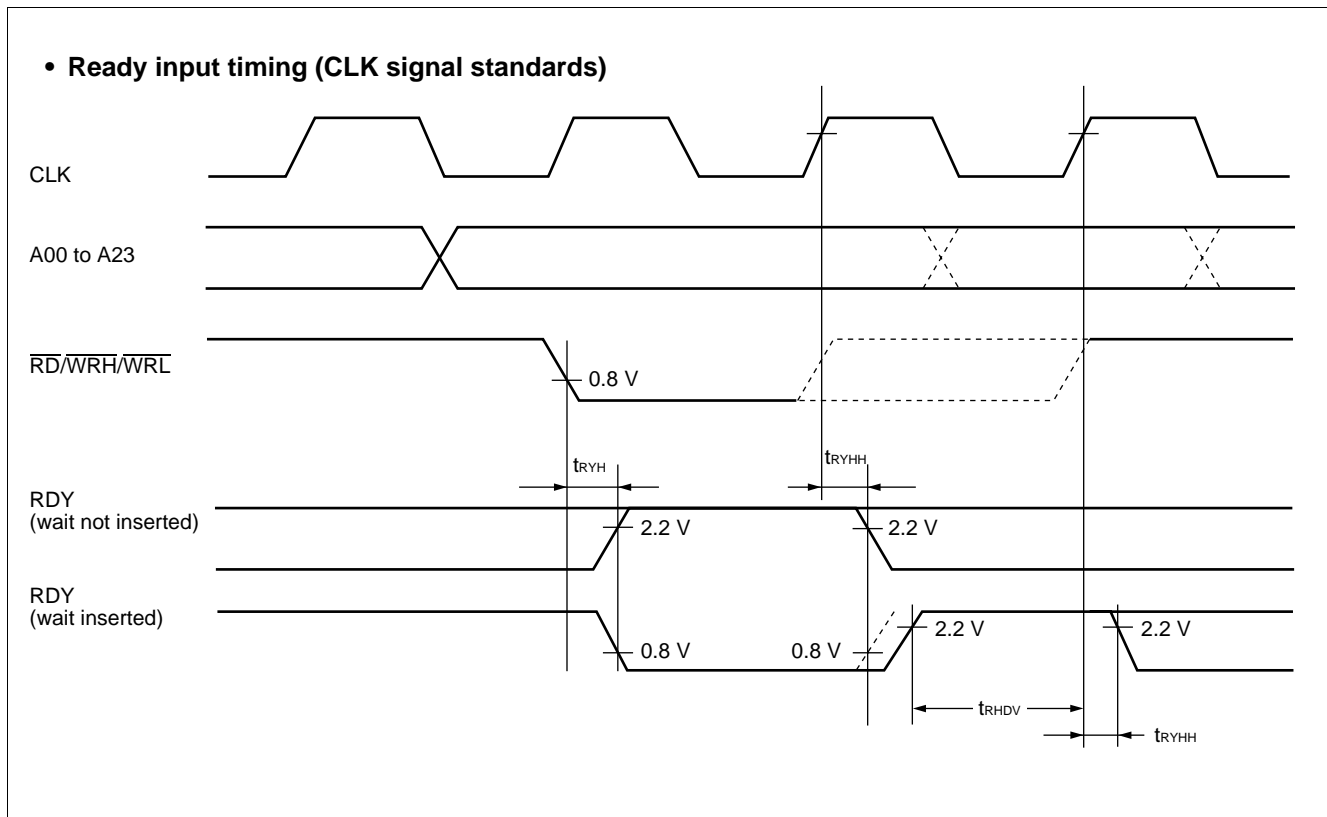
( $AV_{CC} = V_{CC} = 4.5\text{ V to }5.5\text{ V}$ ,  $AV_{SS} = V_{SS} = 0.0\text{ V}$ ,  $T_A = -30^\circ\text{C to }+70^\circ\text{C}$ )

Parameter	Symbol	Pin name	Condition	Value		Unit	Remarks
				Min.	Max.		
$\overline{\text{RD}}/\overline{\text{WRH}}/\overline{\text{WRL}} \downarrow \rightarrow$ RDY $\downarrow$ time	$t_{\text{RYHS}}$	$\overline{\text{RD}}/\overline{\text{WRH}}/\overline{\text{WRL}}$ , RDY		0	$N \times 1 t_{\text{cyc}}^* + 15$	ns	
RDY setup time (in diallocating)	$t_{\text{RH DV}}$	RDY	$V_{CC} = 5.0\text{ V} \pm 10\%$	30	—	ns	
RDY hold time	$t_{\text{RYHH}}$	RDY	—	0	—	ns	

N: Stands for the number of wait cycles. With no wait, N is set at "0". (The number of wait cycles depends on an automatic wait and external RDY.)

\* : For  $t_{\text{cyc}}$  (cycle time (machine cycle)), see paragraph (4), "Clock output timing."

Note: Use the automatic ready function when the setup time for the rising edge of the RDY signal is not sufficient.



# MB90246A Series

## • $\overline{\text{RD}}/\overline{\text{WRH}}/\overline{\text{WRL}}$ signal standards

( $V_{CC} = V_{CC} = 4.5 \text{ V to } 5.5 \text{ V}$ ,  $V_{SS} = V_{SS} = 0.0 \text{ V}$ ,  $T_A = -30^\circ\text{C to } +70^\circ\text{C}$ )

Parameter	Symbol	Pin name	Condition	Value		Unit	Remarks
				Min.	Max.		
$\overline{\text{RD}}/\overline{\text{WRH}}/\overline{\text{WRL}} \downarrow \rightarrow$ RDY $\downarrow$ time	$t_{\text{RYHS}}$	$\overline{\text{RD}}/\overline{\text{WRH}}/\overline{\text{WRL}}$ , RDY	—	0	$N \times 1 t_{\text{CYC}}^{*3}$ $+ 15^{*1}$	ns	
RDY pulse width	$t_{\text{RYPW}}$	RDY	$V_{CC} = 5.0 \text{ V} \pm 10\%$	$1/2 t_{\text{CYC}}^{*3}$ $+ 20$	$(m + 1) \times 1$ $t_{\text{CYC}}^{*2,*3}$	ns	
RDY $\uparrow \rightarrow \overline{\text{RD}} \uparrow$	$t_{\text{RHVDV}}$	$\overline{\text{RD}}/\overline{\text{WRH}}/\overline{\text{WRL}}$ , RDY	—	$1 t_{\text{CYC}}^{*3}$ $- 15$	$2 t_{\text{CYC}}^{*3}$ $- 25$	ns	

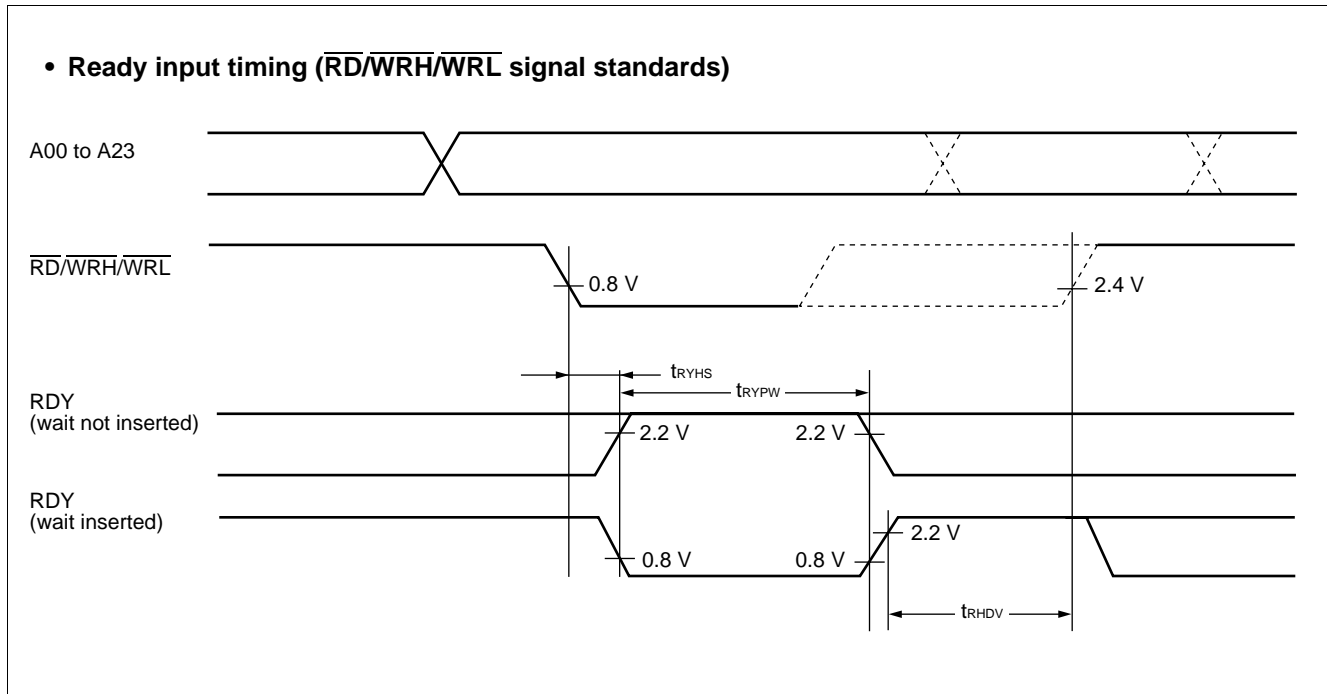
N: Stands for the number of wait cycles. With no wait, N is set at "0". (The number of wait cycles depends on an automatic wait and external RDY.)

m: Stands for the number of RDY wait cycles. With no wait, m is set at "0".

\*1: Use the automatic ready function when the setup time is not sufficient.

\*2: If the pulse width has exceeded the maximum value, the wait period may be extended beyond the specified number of cycles by one cycle.

\*3: For  $t_{\text{CYC}}$  (cycle time (machine cycle)), see paragraph (4), "Clock output timing."



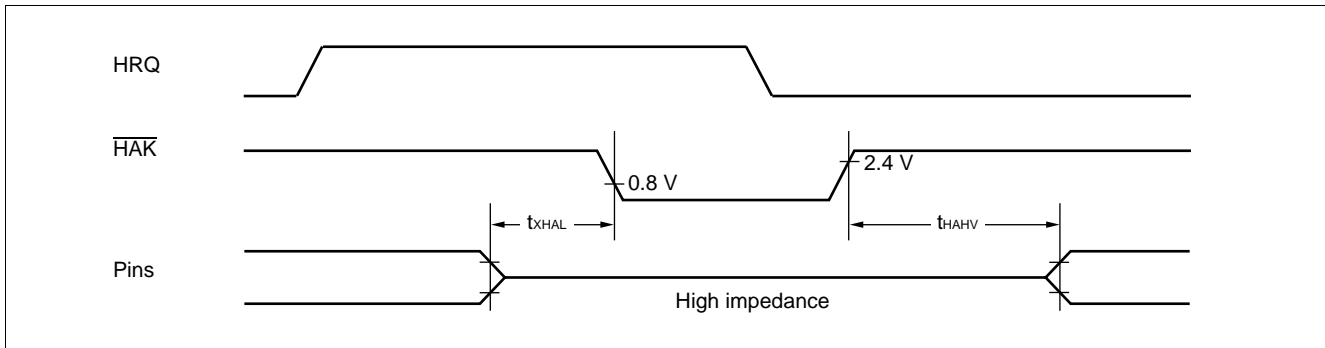
## (8) Hold Timing

( $V_{CC} = V_{CC} = 4.5\text{ V to }5.5\text{ V}$ ,  $V_{SS} = V_{SS} = 0.0\text{ V}$ ,  $T_A = -30^\circ\text{C to }+70^\circ\text{C}$ )

Parameter	Symbol	Pin name	Condition	Value		Unit	Remarks
				Min.	Max.		
Pins in floating status → $\overline{\text{HAK}} \downarrow$ time	$t_{\text{XHAL}}$	$\overline{\text{HAK}}$	$V_{CC} = 5.0\text{ V} \pm 10\%$	30	$1\ t_{\text{CYC}}^*$	ns	
$\overline{\text{HAK}} \uparrow$ → pin valid time	$t_{\text{HAHV}}$	$\overline{\text{HAK}}$	—	$1\ t_{\text{CYC}}^*$	$2\ t_{\text{CYC}}^*$	ns	

\* : For  $t_{\text{CYC}}$  (cycle time (machine cycle)), see paragraph (4), "Clock output timing."

Note: More than 1 machine cycle is needed before  $\overline{\text{HAK}}$  changes after HRQ pin is fetched.



## (9) UART Timing

( $V_{CC} = V_{CC} = 4.5\text{ V to }5.5\text{ V}$ ,  $V_{SS} = V_{SS} = 0.0\text{ V}$ ,  $T_A = -30^\circ\text{C to }+70^\circ\text{C}$ )

Parameter	Symbol	Pin name	Condition	Value		Unit	Remarks
				Min.	Max.		
Serial clock cycle time	$t_{\text{SCYC}}$	SCK0	—	$8\ t_{\text{CYC}}^*$	—	ns	Internal shift clock mode $C_L = 80\text{ pF}$ for an output pin
SCK $\downarrow$ → SOD delay time	$t_{\text{SLOV}}$	SCK0, SOD0	$V_{CC} = 5.0\text{ V} \pm 10\%$	-80	80	ns	
Valid SID → SCK $\uparrow$	$t_{\text{IVSH}}$	SCK0, SID0		100	—	ns	
SCK $\uparrow$ → valid SID hold time	$t_{\text{SHIX}}$	SCK0, SID0	60	—	ns		
Serial clock "H" pulse width	$t_{\text{SHSL}}$	SCK0	—	$4\ t_{\text{CYC}}^*$	—	ns	External shift clock mode $C_L = 80\text{ pF}$ for an output pin
Serial clock "L" pulse width	$t_{\text{SLSH}}$	SCK0		$4\ t_{\text{CYC}}^*$	—	ns	
SCK $\downarrow$ → SOD delay time	$t_{\text{SLOV}}$	SCK0, SID0	$V_{CC} = 5.0\text{ V} \pm 10\%$	—	150	ns	
Valid SID → SCK $\uparrow$	$t_{\text{IVSH}}$	—		60	—	ns	
SCK $\uparrow$ → valid SID hold time	$t_{\text{SHIX}}$	SCK0, SID0	60	—	ns		

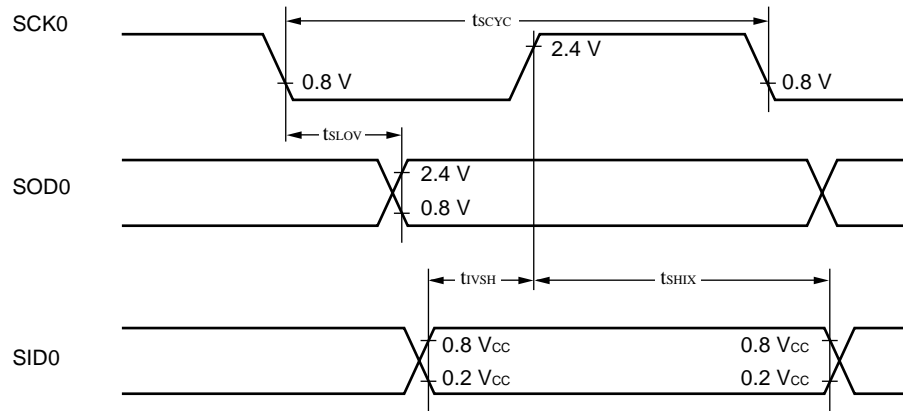
\* : For  $t_{\text{CYC}}$  (cycle time (machine cycle)), see paragraph (4), "Clock output timing."

Notes: • These are AC ratings in the CLK synchronous mode.

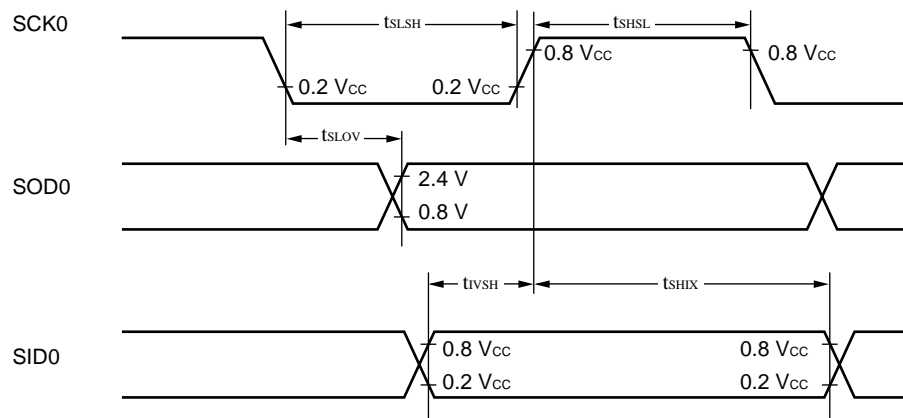
•  $C_L$  is the load capacitor value connected to pins while testing.

# MB90246A Series

- Internal shift clock mode



- External shift clock mode

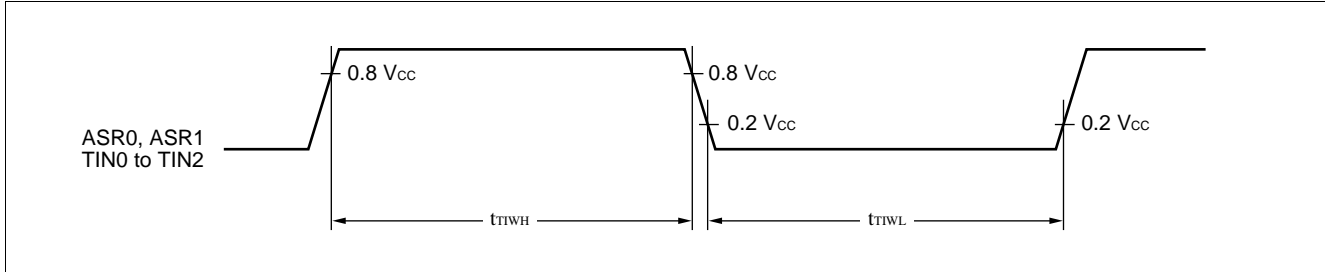


## (10) Timer Input Timing

( $AV_{CC} = V_{CC} = 4.5\text{ V to }5.5\text{ V}$ ,  $AV_{SS} = V_{SS} = 0.0\text{ V}$ ,  $T_A = -30^\circ\text{C to }+70^\circ\text{C}$ )

Parameter	Symbol	Pin name	Condition	Value		Unit	Remarks
				Min.	Max.		
Input pulse width	$t_{TIWH}$ , $t_{TIWL}$	ASR0, ASR1, TIN0 to TIN2	—	4 $t_{CYC}^*$	—	ns	

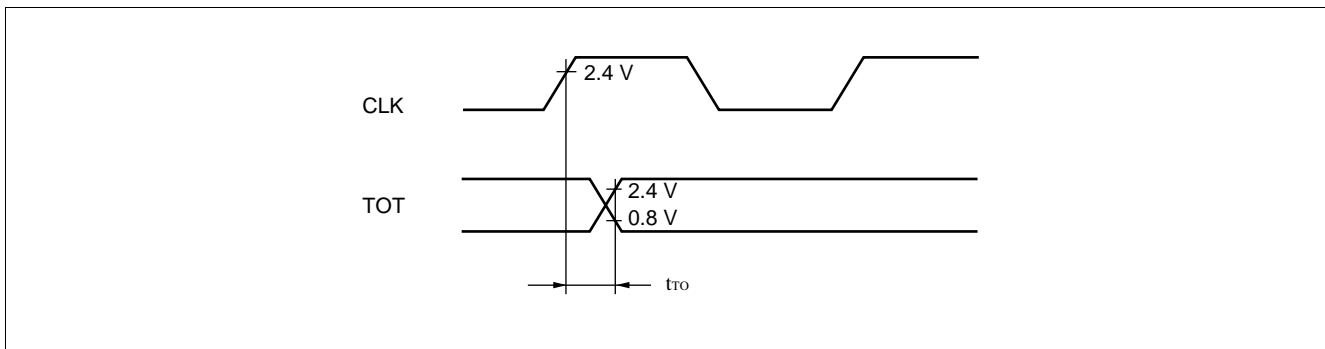
\* : For  $t_{CYC}$  (cycle time (machine cycle)), see paragraph (4), "Clock output timing."



## (11) Timer Output Timing

( $AV_{CC} = V_{CC} = 4.5\text{ V to }5.5\text{ V}$ ,  $AV_{SS} = V_{SS} = 0.0\text{ V}$ ,  $T_A = -30^\circ\text{C to }+70^\circ\text{C}$ )

Parameter	Symbol	Pin name	Condition	Value		Unit	Remarks
				Min.	Max.		
CLK $\uparrow$ $\rightarrow$ TOT transition time	$t_{TO}$	TOT0 to TOT2, PWM0 to PWM3	$V_{CC} = 5.0\text{ V} \pm 10\%$	—	40	ns	



# MB90246A Series

## (12) I/O Simple Serial Timing

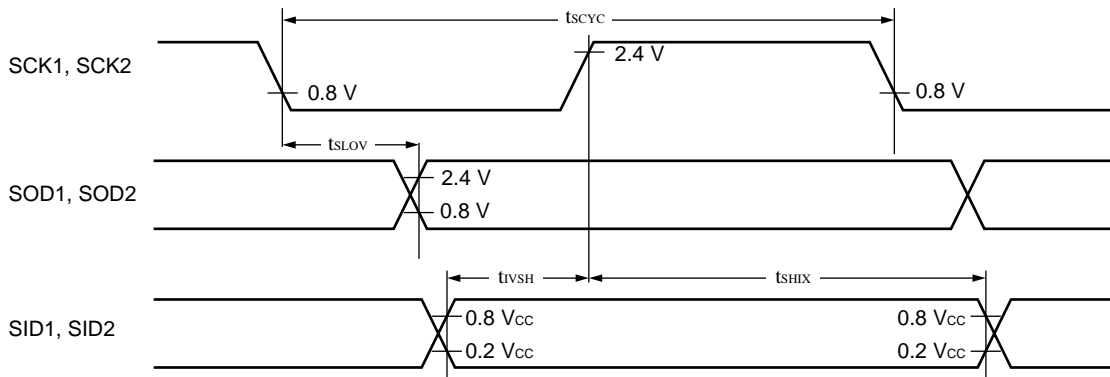
( $V_{CC} = V_{SS} = 4.5\text{ V to }5.5\text{ V}$ ,  $V_{SS} = V_{SS} = 0.0\text{ V}$ ,  $T_A = -30^\circ\text{C to }+70^\circ\text{C}$ )

Parameter	Symbol	Pin name	Condition	Value		Unit	Remarks
				Min.	Max.		
Serial clock cycle time	$t_{SCYC}$	SCK1, SCK2	—	$2 t_{CYC}^*$	—	ns	Internal shift clock mode $C_L = 80\text{ pF}$ for an output pin
SCK $\downarrow$ $\rightarrow$ SOD delay time	$t_{SLOV}$	SCK1, SOD1, SCK2, SOD2,		—	$1 t_{CYC}^*/2$	ns	
Valid SID $\rightarrow$ SCK $\uparrow$	$t_{IVSH}$	SCK1, SID1, SCK2, SID2,		$1 t_{CYC}^*$	—	ns	
SCK $\uparrow$ $\rightarrow$ valid SID hold time	$t_{SHIX}$	SCK1, SID1, SCK2, SID2,		$1 t_{CYC}^*$	—	ns	

\* : For  $t_{CYC}$  (cycle time (machine cycle)), see paragraph (4), "Clock output timing."

Note:  $C_L$  is the load capacitor value connected to pins while testing.

### • Internal shift clock mode



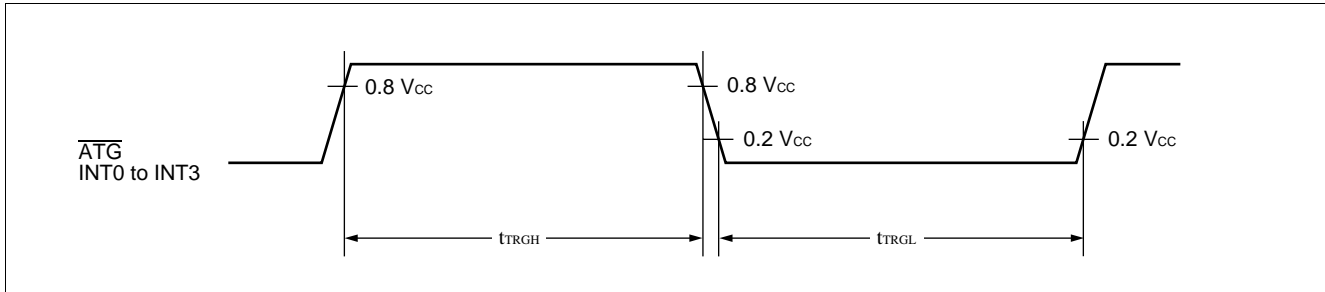


## (13) Trigger input timing

( $V_{CC} = V_{CC} = 4.5\text{ V to }5.5\text{ V}$ ,  $V_{SS} = V_{SS} = 0.0\text{ V}$ ,  $T_A = -30^\circ\text{C to }+70^\circ\text{C}$ )

Parameter	Symbol	Pin name	Condition	Value		Unit	Remarks
				Min.	Max.		
Input pulse width	$t_{TRGH}$ , $t_{TRGL}$	$\overline{ATG}$ , INT0 to INT3	—	5 $t_{CYC}$ *	—	ns	

\* : For  $t_{CYC}$  (cycle time (machine cycle)), see paragraph (4), "Clock output timing."



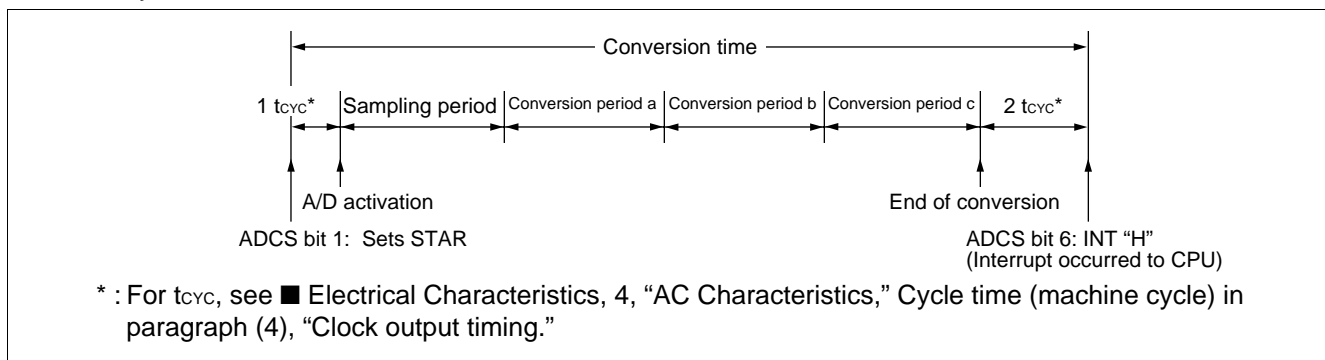
# MB90246A Series

## 5. A/D Converter Electrical Characteristics

( $V_{CC} = V_{CC} = 4.5 \text{ V to } 5.5 \text{ V}$ ,  $V_{SS} = V_{SS} = 0.0 \text{ V}$ ,  $T_A = -30^\circ\text{C to } +70^\circ\text{C}$ )

Parameter	Symbol	Pin name	Condition	Value			Unit
				Min.	Typ.	Max.	
Resolution	—	—	—	—	8, 10	10	bit
Total error	—	—		—	—	$\pm 3.0$	LSB
Linearity error	—	—		—	—	$\pm 2.0$	LSB
Differential linearity error	—	—		—	—	$\pm 1.9$	LSB
Zero transition voltage	$V_{OT}$	AN0 to AN7		—	AVRL - 1.0 LSB	AVRL + 1.0 LSB	AVRL + 3.0 LSB
Full-scale transition voltage	$V_{FST}$	AN0 to AN7	—	AVRH - 4.0 LSB	AVRH - 1.0 LSB	AVRH + 1.0 LSB	mV
Conversion time*1	—	—	Use the A/D data register for setup. $V_{CC} = 5.0 \text{ V} \pm 10\%$	1.25	—	—	$\mu\text{s}$
Sampling period	—	—		560	—	—	ns
Conversion period a	—	—		125	—	—	ns
Conversion period b	—	—		125	—	—	ns
Conversion period c	—	—		250	—	—	ns
Analog port input current	$I_{AIN}$	AN0 to AN7	—	—	0.1	3	$\mu\text{A}$
Analog input voltage	$V_{AIN}$	AN0 to AN7		AVRL	—	AVRH	V
Reference voltage	—	AVRH	$AVRH - AVRL \geq 2.7$	AVRL + 2.7	—	$V_{CC}$	V
	—	AVRL		0	—	AVRH - 2.7	V
Power supply current	$I_A$	$V_{CC}$	—	—	15	20	mA
	$I_{AS}^{*2}$	$V_{CC}$	Supply current when the CPU stops ( $V_{CC} = 5.5 \text{ V}$ )	—	—	5	$\mu\text{A}$
Reference voltage supply current	$I_R$	AVRH	—	—	0.7	2	$\mu\text{A}$
	$I_{RS}^{*2}$	AVRH	Supply current when the CPU stops ( $V_{CC} = 5.5 \text{ V}$ )	—	—	5	$\mu\text{A}$
Offset between channels	—	AN0 to AN7	—	—	—	4	LSB

\*1: Glossary for conversion time



\*2:  $I_{AS}$  and  $I_{RS}$  signify currents when the A/D converter does not operate and when the CPU is out of service, respectively.

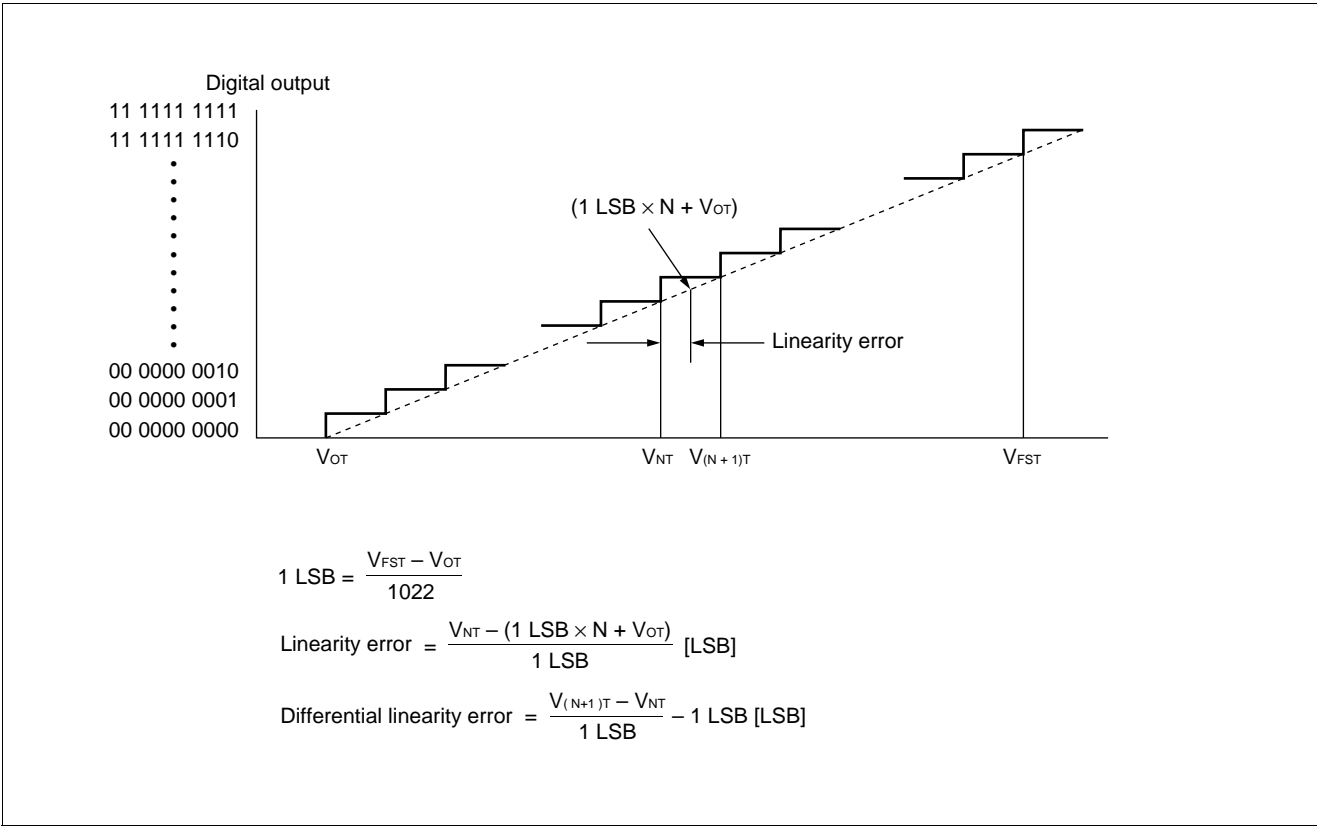
## 6. A/D Converter Glossary

**Resolution:** Analog changes that are identifiable with the A/D converter  
 With 10 bits supported, an analog voltage can be divided into  $2^{10}$  parts.

**Linearity error:** The deviation of the straight line connecting the zero transition point (“00 0000 0000” ↔ “00 0000 0001”) with the full-scale transition point (“11 1111 1110” ↔ “11 1111 1111”) from actual conversion characteristics

**Differential linearity error:** The deviation of input voltage needed to change the output code by 1 LSB from the theoretical value

**Total error:** The total error is defined as a difference between the actual value and the theoretical value, which includes zero-transition error/full-scale transition error, linearity error, differential linearity error and error caused by noise.



# MB90246A Series

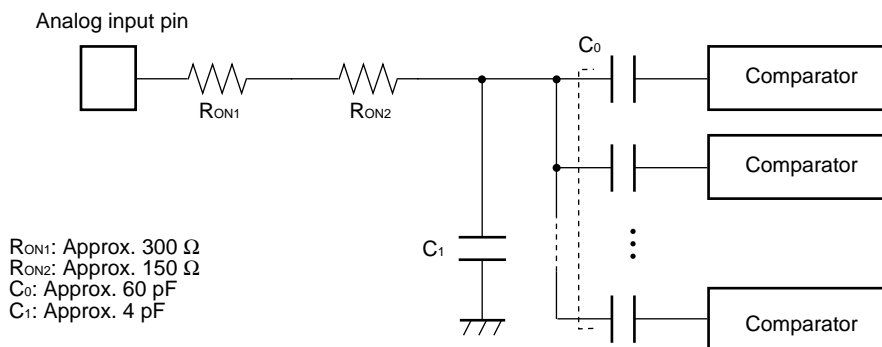
## 7. Notes on Using A/D Converter

Select the output impedance value for the external circuit of analog input according to the following conditions. Output impedance values of the external circuit of 300 Ω or lower are recommended.

When capacitors are connected to external pins, the capacitance of several thousand times the internal capacitor value is recommended to minimized the effect of voltage distribution between the external capacitor and internal capacitor.

When the output impedance of the external circuit is too high, the sampling time for analog voltages may not be sufficient (sampling time = 0.56 μs @machine clock of 16 MHz).

### • Block diagram of analog input circuit model



Note: Listed values must be considered as standards.

### • Error

The smaller the  $|AVRH - AVRL|$ , the greater the error would become relatively.

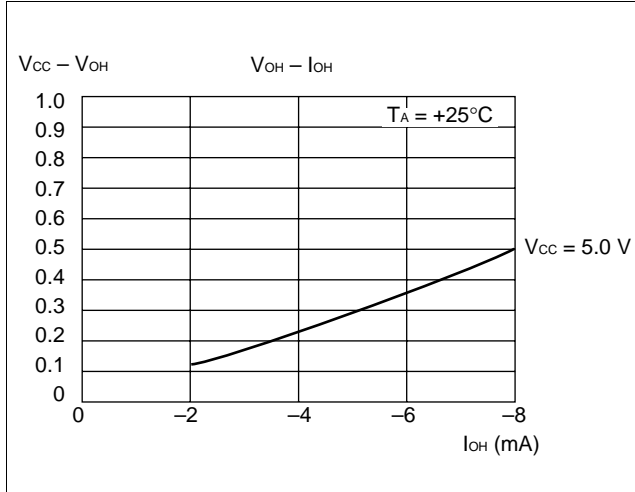
## 8. 8-bit D/A Converter Electrical Characteristics

( $AV_{CC} = V_{CC} = 4.5\text{ V to }5.5\text{ V}$ ,  $AV_{SS} = V_{SS} = 0.0\text{ V}$ ,  $T_A = -30^\circ\text{C to }+70^\circ\text{C}$ )

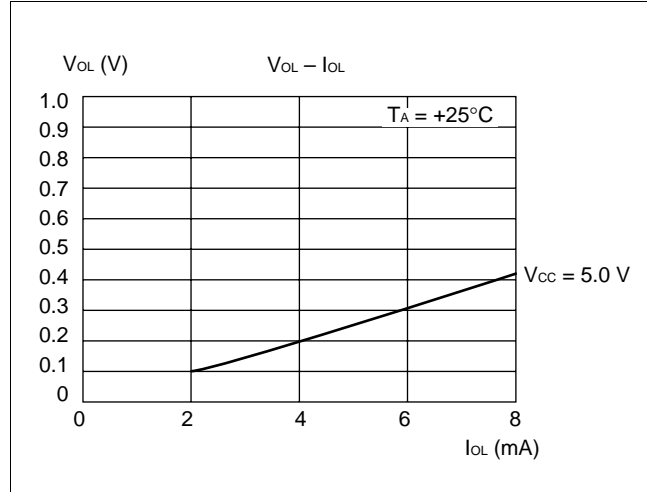
Parameter	Symbol	Pin name	Condition	Value			Unit
				Min.	Typ.	Max.	
Resolution	—	—	—	—	8	8	bit
Differential linearity error	—	—	—	—	—	±0.9	LSB
Absolute accuracy	—	—	$V_{CC} = DV_{RH} = 5.0\text{ V}$ , $DV_{RL} = 0.0\text{ V}$	—	—	1.2	%
Conversion time	—	—	Load capacitance: 20 pF	—	10	20	μs
Analog power supply voltage	—	DV <sub>RH</sub>	$DV_{RH} - DV_{RL} \geq 2.0\text{ V}$	$V_{SS} + 2.0$	—	$V_{CC}$	V
	—	DV <sub>RL</sub>		$V_{SS}$	—	$V_{CC} - 2.0$	V
Reference voltage supply current	$I_D$	DV <sub>RH</sub>	During conversion	—	1.0	1.5	mA
	$I_{DH}$	DV <sub>RH</sub>	When the CPU is stopped	—	—	10	μA
Analog output impedance	—	—	—	—	28	—	kΩ

## EXAMPLE CHARACTERISTICS

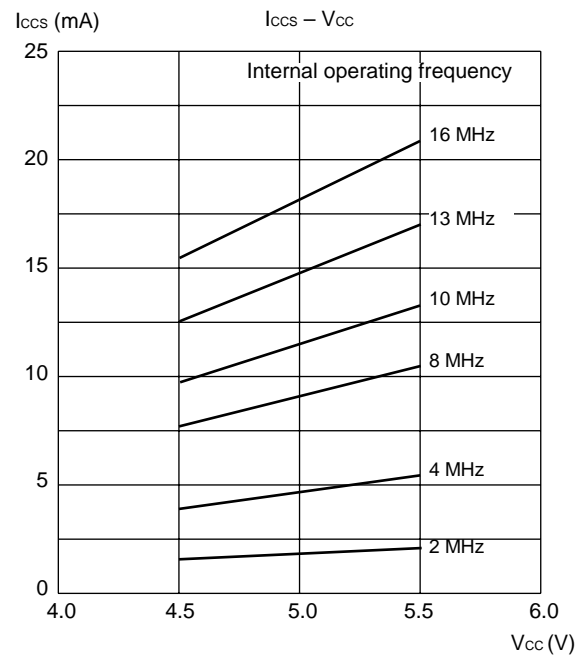
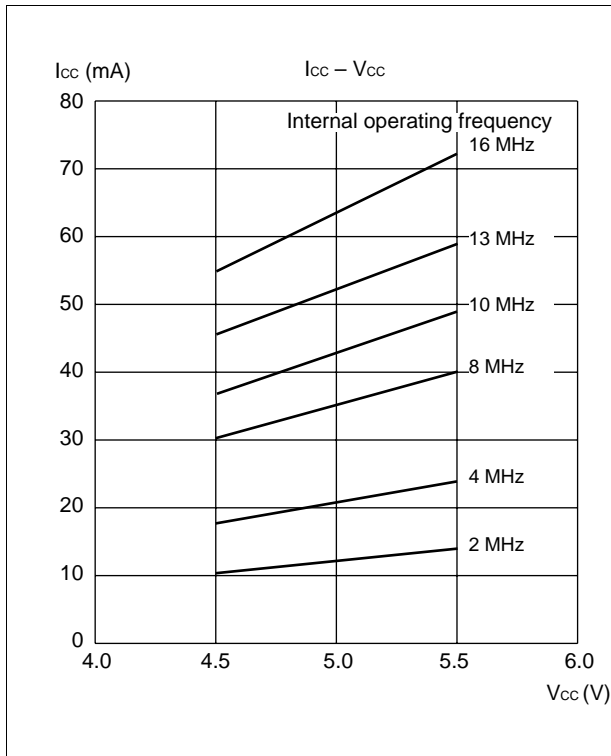
(1) "H" Level Output Voltage



(2) "L" Level Output Voltage



(3) Power Supply Current



# MB90246A Series

## ■ INSTRUCTIONS (421 INSTRUCTIONS)

Table 1 Description of Items in Instruction List

Item	Description
Mnemonic	English upper case and symbol: Described directly in assembler code. English lower case: Converted in assembler code. Number of letters after English lower case: Describes bit width in code.
#	Describes number of bytes.
~	Describes number of cycles. For other letters in other items, refer to table 4.
B	Describes correction value for calculating number of actual states. Number of actual states is calculated by adding value in the ~-section.
Operation	Describes operation of instructions.
LH	Describes a special operation to 15 bits to 08 bits of the accumulator. Z : Transfer 0. X : Sign-extend and transfer. - : No transmission
AH	Describes a special operation to the upper 16-bit of the accumulator. * : Transmit from AL to AH. - : No transfer. Z : Transfer 00 <sub>H</sub> to AH. X : Sign-extend AL and transfer 00 <sub>H</sub> or FF <sub>H</sub> to AH.
I	Describes status of I (interrupt enable), S (stack), T (sticky bit), N (negative), Z (zero), V (overflow), and C (carry) flags. * : Changes after execution of instruction. - : No changes. S : Set after execution of instruction. R : Reset after execution of instruction.
S	
T	
N	
Z	
V	
C	
RMW	Describes whether or not the instruction is a read-modify-write type (a data is read out from memory etc. in single cycle, and the result is written into memory etc.). * : Read-modify-write instruction - : Not read-modify-write instruction Note: Not used to addresses having different functions for reading and writing operations.

**Table 2 Description of Symbols in Instruction Table**

Item	Description
A	32-bit accumulator The bit length is dependent on the instructions to be used. Byte : Lower 8-bit of AL Word : 16-bit of AL Long : AL: 32-bit of AH
AH	Upper 16-bit of A
AL	Lower 16-bit of A
SP	Stack pointer (USP or SSP)
PC	Program counter
SPCU	Stack pointer upper limited register
SPCL	Stack pointer lower limited register
PCB	Program bank register
DTB	Data bank register
ADB	Additional data bank register
SSB	System stack bank register
USB	User stack bank register
SPB	Current stack bank register (SSB or USB)
DPR	Direct page register
brg1	DTB, ADB, SSB, USB, DPR, PCB
brg2	DTB, ADB, SSB, USB, DPR
Ri	R0, R1, R2, R3, R4, R5, R6, R7
RWi	RW0, RW1, RW2, RW3, RW4, RW5, RW6, RW7
RWj	RW0, RW1, RW2, RW3
RLi	RL0, RL1, RL2, RL3
dir	Specify shortened direct address.
addr16	Specify direct address.
addr24	Specify physical direct address.
ad24 0 to 15	bit0 to bit15 of addr24
ad24 16 to 23	bit16 to bit 23 of addr24
io	I/O area (000000 <sub>H</sub> to 0000FF <sub>H</sub> )
#imm4	4-bit immediate data
#imm8	8-bit immediate data
#imm16	16-bit immediate data
#imm32	32-bit immediate data
ext (imm8)	16-bit data calculated by sign-extending an 8-bit immediate data
disp8	8-bit displacement
disp16	16-bit displacement
bp	Bit offset value
vct4	Vector number (0 to 15)
vct8	Vector number (0 to 255)

(Continued)

# MB90246A Series

(Continued)

Item	Description
( )b	Bit address
rel	Specify PC relative branch.
ear	Specify effective address (code 00 to 07).
eam	Specify effective address (code 08 to 1F).
rlst	Register allocation

**Table 3 Effective Address Field**

Code	Symbol	Address type	Number of bytes in address extension block*
00 01 02 03 04 05 06 07	R0 R1 R2 R3 R4 R5 R6 R7 RW0 RW1 RW2 RW3 RW4 RW5 RW6 RW7 RL0 (RL0) RL1 (RL1) RL2 (RL2) RL3 (RL3)	Register direct "ea" corresponds to byte, word, and long word from left respectively.	—
08 09 0A 0B	@RW0 @RW1 @RW2 @RW3	Register indirect	0
0C 0D 0E 0F	@RW0 + @RW1 + @RW2 + @RW3 +	Register indirect with post increment	0
10 11 12 13 14 15 16 17	@RW0 + disp8 @RW1 + disp8 @RW2 + disp8 @RW3 + disp8 @RW4 + disp8 @RW5 + disp8 @RW6 + disp8 @RW7 + disp8	Register indirect with 8-bit displacement	1
18 19 1A 1B	@RW0 + disp16 @RW1 + disp16 @RW2 + disp16 @RW3 + disp16	Register indirect with 16-bit displacement	2
1C 1D 1E 1F	@RW0 + RW7 @RW1 + RW7 @PC + disp16 addr16	Register indirect with index Register indirect with index PC indirect with 16-bit displacement Direct address	0 0 2 2

Note: Number of bytes for address extension corresponds to "+" in the # (number of bytes) part in the instruction table.



**Table 4 Number of Execution Cycles in Addressing Modes**

Code	Operand	(a)*
		Number of execution cycles for addressing modes
00 to 07	Ri RWi RLi	Listed in instruction table
08 to 0B	@RWj	1
0C to 0F	@RWj +	4
10 to 17	@RWi + disp8	1
18 to 1B	@RWj + disp16	1
1C	@RW0 + RW7	2
1D	@RW1 + RW7	2
1E	@PC + disp16	2
1F	addr16	1

Note: (a) is used for ~ (number of cycles) and B (correction value) in instruction table.

**Table 5 Correction Value for Number of Cycles for Calculating Actual Number of Cycles**

Operand	(b)*	(c)*	(d)*
	byte	word	long
Internal register	+0	+0	+0
Internal RAM even address	+0	+0	+0
Internal RAM odd address	+0	+1	+2
Other than internal RAM even address	+1	+1	+2
Other than internal RAM odd address	+1	+3	+6
External data bus 8-bit	+1	+3	+6

Notes: • (b), (c), (d) is used for ~ (number of cycles) and B (correction value) in instruction table.

# MB90246A Series

**Table 6 Transmission Instruction (Byte) [50 Instructions]**

Mnemonic	#	~	B	Operation	LH	AH	I	S	T	N	Z	V	C	RMW
MOV A, dir	2	2	(b)	byte (A) ← (dir)	Z	*	-	-	-	*	*	-	-	-
MOV A, addr16	3	2	(b)	byte (A) ← (addr16)	Z	*	-	-	-	*	*	-	-	-
MOV A, Ri	1	1	0	byte (A) ← (Ri)	Z	*	-	-	-	*	*	-	-	-
MOV A, ear	2	1	0	byte (A) ← (ear)	Z	*	-	-	-	*	*	-	-	-
MOV A, eam	2 +	2 + (a)	(b)	byte (A) ← (eam)	Z	*	-	-	-	*	*	-	-	-
MOV A, io	2	2	(b)	byte (A) ← (io)	Z	*	-	-	-	*	*	-	-	-
MOV A, #imm8	2	2	0	byte (A) ← imm8	Z	*	-	-	-	*	*	-	-	-
MOV A, @A	2	2	(b)	byte (A) ← ((A))	Z	-	-	-	-	*	*	-	-	-
MOV A, @RLi + disp8	3	6	(b)	byte (A) ← ((RLi) + disp8)	Z	*	-	-	-	*	*	-	-	-
MOV A, @SP + disp8	3	3	(b)	byte (A) ← ((SP) + disp8)	Z	*	-	-	-	*	*	-	-	-
MOVP A, addr24	5	3	(b)	byte (A) ← (addr24)	Z	*	-	-	-	*	*	-	-	-
MOVP A, @A	2	2	(b)	byte (A) ← ((A))	Z	-	-	-	-	*	*	-	-	-
MOVN A, #imm4	1	1	0	byte (A) ← imm4	Z	*	-	-	-	R	*	-	-	-
MOVX A, dir	2	2	(b)	byte (A) ← (dir)	X	*	-	-	-	*	*	-	-	-
MOVX A, addr16	3	2	(b)	byte (A) ← (addr16)	X	*	-	-	-	*	*	-	-	-
MOVX A, Ri	2	1	0	byte (A) ← (Ri)	X	*	-	-	-	*	*	-	-	-
MOVX A, ear	2	1	0	byte (A) ← (ear)	X	*	-	-	-	*	*	-	-	-
MOVX A, eam	2 +	2 + (a)	(b)	byte (A) ← (eam)	X	*	-	-	-	*	*	-	-	-
MOVX A, io	2	2	(b)	byte (A) ← (io)	X	*	-	-	-	*	*	-	-	-
MOVX A, #imm8	2	2	0	byte (A) ← imm8	X	*	-	-	-	*	*	-	-	-
MOVX A, @A	2	2	(b)	byte (A) ← ((A))	X	-	-	-	-	*	*	-	-	-
MOVX A, @RWi + disp8	2	3	(b)	byte (A) ← ((RWi) + disp8)	X	*	-	-	-	*	*	-	-	-
MOVX A, @RLi + disp8	3	6	(b)	byte (A) ← ((RLi) + disp8)	X	*	-	-	-	*	*	-	-	-
MOVX A, @SP + disp8	3	3	(b)	byte (A) ← ((SP) + disp8)	X	*	-	-	-	*	*	-	-	-
MOVPX A, addr24	5	3	(b)	byte (A) ← (addr24)	X	*	-	-	-	*	*	-	-	-
MOVPX A, @A	2	2	(b)	byte (A) ← ((A))	X	-	-	-	-	*	*	-	-	-
MOV dir, A	2	2	(b)	byte (dir) ← (A)	-	-	-	-	-	*	*	-	-	-
MOV addr16, A	3	2	(b)	byte (addr16) ← (A)	-	-	-	-	-	*	*	-	-	-
MOV Ri, A	1	1	0	byte (Ri) ← (A)	-	-	-	-	-	*	*	-	-	-
MOV ear, A	2	2	0	byte (ear) ← (A)	-	-	-	-	-	*	*	-	-	-
MOV eam, A	2 +	2 + (a)	(b)	byte (eam) ← (A)	-	-	-	-	-	*	*	-	-	-
MOV io, A	2	2	(b)	byte (io) ← (A)	-	-	-	-	-	*	*	-	-	-
MOV @RLi + disp8, A	3	6	(b)	byte ((RLi) + disp8) ← (A)	-	-	-	-	-	*	*	-	-	-
MOV @SP + disp8, A	3	3	(b)	byte ((SP) + disp8) ← (A)	-	-	-	-	-	*	*	-	-	-
MOVP addr24, A	5	3	(b)	byte (addr24) ← (A)	-	-	-	-	-	*	*	-	-	-
MOV Ri, ear	2	2	0	byte (Ri) ← (ear)	-	-	-	-	-	*	*	-	-	-
MOV Ri, eam	2 +	3 + (a)	(b)	byte (Ri) ← (eam)	-	-	-	-	-	*	*	-	-	-
MOVP @A, Ri	2	3	(b)	byte ((A)) ← (Ri)	-	-	-	-	-	*	*	-	-	-
MOV ear, Ri	2	3	0	byte (ear) ← (Ri)	-	-	-	-	-	*	*	-	-	-
MOV eam, Ri	2 +	3 + (a)	(b)	byte (eam) ← (Ri)	-	-	-	-	-	*	*	-	-	-
MOV Ri, #imm8	2	2	0	byte (Ri) ← imm8	-	-	-	-	-	*	*	-	-	-
MOV io, #imm8	3	3	(b)	byte (io) ← imm8	-	-	-	-	-	-	-	-	-	-
MOV dir, #imm8	3	3	(b)	byte (dir) ← imm8	-	-	-	-	-	-	-	-	-	-
MOV ear, #imm8	3	2	0	byte (ear) ← imm8	-	-	-	-	-	*	*	-	-	-
MOV eam, #imm8	3 +	2 + (a)	(b)	byte (eam) ← imm8	-	-	-	-	-	-	-	-	-	-
MOV @AL, AH	2	2	(b)	byte ((A)) ← (AH)	-	-	-	-	-	*	*	-	-	-
XCH A, ear	2	3	0	byte (A) ↔ (ear)	Z	-	-	-	-	-	-	-	-	-
XCH A, eam	2 +	3 + (a)	2 × (b)	byte (A) ↔ (eam)	Z	-	-	-	-	-	-	-	-	-
XCH Ri, ear	2	4	0	byte (Ri) ↔ (ear)	-	-	-	-	-	-	-	-	-	-
XCH Ri, eam	2 +	5 + (a)	2 × (b)	byte (Ri) ↔ (eam)	-	-	-	-	-	-	-	-	-	-

Note: For (a) and (b), refer to “Table 4 Number of Execution Cycles in Addressing Modes” and “Table 5 Correction Values for Number of Cycles for Calculating Actual Number of Cycles.”

**Table 7 Transmission Instruction (Word) [40 Instructions]**

Mnemonic	#	~	B	Operation	LH	AH	I	S	T	N	Z	V	C	RMW
MOVW A, dir	2	2	(c)	word (A) ← (dir)	—	*	—	—	—	*	*	—	—	—
MOVW A, addr16	3	2	(c)	word (A) ← (addr16)	—	*	—	—	—	*	*	—	—	—
MOVW A, SP	1	2	0	word (A) ← (SP)	—	*	—	—	—	*	*	—	—	—
MOVW A, RWi	1	1	0	word (A) ← (RWi)	—	*	—	—	—	*	*	—	—	—
MOVW A, ear	2	1	0	word (A) ← (ear)	—	*	—	—	—	*	*	—	—	—
MOVW A, eam	2 +	2 + (a)	(c)	word (A) ← (eam)	—	*	—	—	—	*	*	—	—	—
MOVW A, io	2	2	(c)	word (A) ← (io)	—	*	—	—	—	*	*	—	—	—
MOVW A, @A	2	2	(c)	word (A) ← ((A))	—	—	—	—	—	*	*	—	—	—
MOVW A, #imm16	3	2	0	word (A) ← imm16	—	*	—	—	—	*	*	—	—	—
MOVW A, @RWi + disp8	2	3	(c)	word (A) ← ((RWi	—	*	—	—	—	*	*	—	—	—
MOVW A, @RLi + disp8	3	6	(c)	+disp8)	—	*	—	—	—	*	*	—	—	—
MOVW A, @SP + disp8	3	3	(c)	word (A) ← ((RLi) + disp8)	—	*	—	—	—	*	*	—	—	—
MOVPW A, addr24	5	3	(c)	word (A) ← ((SP) + disp8)	—	*	—	—	—	*	*	—	—	—
MOVPW A, @A	2	2	(c)	word (A) ← (addr24)	—	—	—	—	—	*	*	—	—	—
				word (A) ← ((A))										
MOVW dir, A	2	2	(c)		—	—	—	—	—	*	*	—	—	—
MOVW addr16, A	3	2	(c)	word (dir) ← (A)	—	—	—	—	—	*	*	—	—	—
MOVW SP, #imm16	4	2	0	word (addr16) ← (A)	—	—	—	—	—	*	*	—	—	—
MOVW SP, A	1	2	0	word (SP) ← imm16	—	—	—	—	—	*	*	—	—	—
MOVW RWi, A	1	1	0	word (SP) ← (A)	—	—	—	—	—	*	*	—	—	—
MOVW ear, A	2	2	0	word (RWi) ← (A)	—	—	—	—	—	*	*	—	—	—
MOVW eam, A	2 +	2 + (a)	(c)	word (ear) ← (A)	—	—	—	—	—	*	*	—	—	—
MOVW io, A	2	2	(c)	word (eam) ← (A)	—	—	—	—	—	*	*	—	—	—
MOVW @RWi + disp8, A	2	3	(c)	word (io) ← (A)	—	—	—	—	—	*	*	—	—	—
MOVW @RLi + disp8, A	3	6	(c)	word ((RWi) + disp8) ←	—	—	—	—	—	*	*	—	—	—
MOVW @SP + disp8, A	3	3	(c)	(A)	—	—	—	—	—	*	*	—	—	—
MOVPW addr24, A	5	3	(c)	word ((RLi) + disp8) ← (A)	—	—	—	—	—	*	*	—	—	—
MOVPW @A, RWi	2	3	(c)	word ((SP) + disp8) ← (A)	—	—	—	—	—	*	*	—	—	—
MOVW RWi, ear	2	2	0	word (addr24) ← (A)	—	—	—	—	—	*	*	—	—	—
MOVW RWi, eam	2 +	3 + (a)	(c)	word ((A)) ← (RWi)	—	—	—	—	—	*	*	—	—	—
MOVW ear, RWi	2	3	0	word (RWi) ← (ear)	—	—	—	—	—	*	*	—	—	—
MOVW eam, RWi	2 +	3 + (a)	(c)	word (RWi) ← (eam)	—	—	—	—	—	*	*	—	—	—
MOVW RWi, #imm16	3	2	0	word (ear) ← (RWi)	—	—	—	—	—	*	*	—	—	—
MOVW io, #imm16	4	3	(c)	word (eam) ← (RWi)	—	—	—	—	—	—	—	—	—	—
MOVW ear, #imm16	4	2	0	word (RWi) ← imm16	—	—	—	—	—	*	*	—	—	—
MOVW eam, #imm16	4 +	2 + (a)	(c)	word (io) ← imm16	—	—	—	—	—	—	—	—	—	—
				word (ear) ← imm16										
MOVW @AL, AH	2	2	(c)	word (eam) ← imm16	—	—	—	—	—	*	*	—	—	—
XCHW A, ear	2	3	0	word ((A)) ← (AH)	—	—	—	—	—	—	—	—	—	—
XCHW A, eam	2 +	3 + (a)	2 × (c)		—	—	—	—	—	—	—	—	—	—
XCHW RWi, ear	2	4	0	word (A) ↔ (ear)	—	—	—	—	—	—	—	—	—	—
XCHW RWi, eam	2 +	5 + (a)	2 × (c)	word (A) ↔ (eam)	—	—	—	—	—	—	—	—	—	—
				word (RWi) ↔ (ear)										
				word (RWi) ↔ (eam)										

Note: For (a) and (c), refer to “Table 4 Number of Execution Cycles in Addressing Modes” and “Table 5 Correction Values for Number of Cycles for Calculating Actual Number of Cycles.”

# MB90246A Series

**Table 8 Transmission Instruction (Long) [11 Instructions]**

Mnemonic	#	~	B	Operation	LH	AH	I	S	T	N	Z	V	C	RMW
MOVL A, ear	2	2	0	long (A) ← (ear)	–	–	–	–	–	*	*	–	–	–
MOVL A, eam	2 +	3 + (a)	(d)	long (A) ← (eam)	–	–	–	–	–	*	*	–	–	–
MOVL A, #imm32	5	3	0	long (A) ← imm32	–	–	–	–	–	*	*	–	–	–
MOVL A, @SP + disp8	3	4	(d)	long (A) ← ((SP) + disp8)	–	–	–	–	–	*	*	–	–	–
MOVPL A, addr24	5	4	(d)	long (A) ← (addr24)	–	–	–	–	–	*	*	–	–	–
MOVPL A, @A	2	3	(d)	long (A) ← ((A))	–	–	–	–	–	*	*	–	–	–
MOVPL @A, RLi	2	5	(d)	long ((A)) ← (RLi)	–	–	–	–	–	*	*	–	–	–
MOVL @SP + disp8, A	3	4	(d)	long ((SP) + disp8) ← (A)	–	–	–	–	–	*	*	–	–	–
MOVPL addr24, A	5	4	(d)	long (addr24) ← (A)	–	–	–	–	–	*	*	–	–	–
MOVL ear, A	2	2	0	long (ear) ← (A)	–	–	–	–	–	*	*	–	–	–
MOVL eam, A	2 +	3 + (a)	(d)	long (eam) ← (A)	–	–	–	–	–	*	*	–	–	–

Note: For (a) and (c), refer to “Table 4 Number of Execution Cycles in Addressing Modes” and “Table 5 Correction Values for Number of Cycles for Calculating Actual Number of Cycles.”

**Table 9 Add/Subtract (Byte, Word, Long) [42 Instructions]**

Mnemonic	#	~	B	Operation	LH	AH	I	S	T	N	Z	V	C	RMW
ADD A, #imm8	2	2	0	byte (A) ← (A) + imm8	Z	—	—	—	—	*	*	*	*	—
ADD A, dir	2	3	(b)	byte (A) ← (A) + (dir)	Z	—	—	—	—	*	*	*	*	—
ADD A, ear	2	2	0	byte (A) ← (A) + (ear)	Z	—	—	—	—	*	*	*	*	—
ADD A, eam	2 +	3 + (a)	(b)	byte (A) ← (A) + (eam)	Z	—	—	—	—	*	*	*	*	—
ADD ear, A	2	2	0	byte (ear) ← (ear) + (A)	—	—	—	—	—	*	*	*	*	*
ADD eam, A	2 +	3 + (a)	2 × (b)	byte (eam) ← (eam) + (A)	Z	—	—	—	—	*	*	*	*	*
ADDC A	1	2	0	byte (A) ← (AH) + (AL) + (C)	Z	—	—	—	—	*	*	*	*	—
ADDC A, ear	2	2	0	byte (A) ← (A) + (ear) + (C)	Z	—	—	—	—	*	*	*	*	—
ADDC A, eam	2 +	3 + (a)	(b)	byte (A) ← (A) + (eam) + (C)	Z	—	—	—	—	*	*	*	*	—
ADDC A	1	3	0	byte (A) ← (AH) + (AL) + (C) (decimal)	Z	—	—	—	—	*	*	*	*	—
SUB A, #imm8	2	2	0	byte (A) ← (A) – imm8	Z	—	—	—	—	*	*	*	*	—
SUB A, dir	2	3	(b)	byte (A) ← (A) – (dir)	Z	—	—	—	—	*	*	*	*	—
SUB A, ear	2	2	0	byte (A) ← (A) – (ear)	Z	—	—	—	—	*	*	*	*	—
SUB A, eam	2 +	3 + (a)	(b)	byte (A) ← (A) – (eam)	Z	—	—	—	—	*	*	*	*	—
SUB ear, A	2	2	0	byte (ear) ← (ear) – (A)	—	—	—	—	—	*	*	*	*	*
SUB eam, A	2 +	3 + (a)	2 × (b)	byte (eam) ← (eam) – (A)	—	—	—	—	—	*	*	*	*	*
SUBC A	1	2	0	byte (A) ← (AH) – (AL) – (C)	Z	—	—	—	—	*	*	*	*	—
SUBC A, ear	2	2	0	byte (A) ← (A) – (ear) – (C)	Z	—	—	—	—	*	*	*	*	—
SUBC A, eam	2 +	3 + (a)	(b)	byte (A) ← (A) – (eam) – (C)	Z	—	—	—	—	*	*	*	*	—
SUBDC A	1	3	0	byte (A) ← (AH) – (AL) – (C) (decimal)	Z	—	—	—	—	*	*	*	*	—
ADDW A	1	2	0	word (A) ← (AH) + (AL)	—	—	—	—	—	*	*	*	*	—
ADDW A, ear	2	2	0	word (A) ← (A) + (ear)	—	—	—	—	—	*	*	*	*	—
ADDW A, eam	2 +	3 + (a)	(c)	word (A) ← (A) + (eam)	—	—	—	—	—	*	*	*	*	—
ADDW A, #imm16	3	2	0	word (A) ← (A) + imm16	—	—	—	—	—	*	*	*	*	—
ADDW ear, A	2	2	0	word (ear) ← (ear) + (A)	—	—	—	—	—	*	*	*	*	*
ADDW eam, A	2 +	3 + (a)	2 × (c)	word (eam) ← (eam) + (A)	—	—	—	—	—	*	*	*	*	*
ADDCW A, ear	2	2	0	word (A) ← (A) + (ear) + (C)	—	—	—	—	—	*	*	*	*	—
ADDCW A, eam	2 +	3 + (a)	(c)	word (A) ← (A) + (eam) + (C)	—	—	—	—	—	*	*	*	*	—
SUBW A	1	2	0	word (A) ← (AH) – (AL)	—	—	—	—	—	*	*	*	*	—
SUBW A, ear	2	2	0	word (A) ← (A) – (ear)	—	—	—	—	—	*	*	*	*	—
SUBW A, eam	2 +	3 + (a)	(c)	word (A) ← (A) – (eam)	—	—	—	—	—	*	*	*	*	—
SUBW A, #imm16	3	2	0	word (A) ← (A) – imm16	—	—	—	—	—	*	*	*	*	—
SUBW ear, A	2	2	0	word (ear) ← (ear) – (A)	—	—	—	—	—	*	*	*	*	*
SUBW eam, A	2 +	3 + (a)	2 × (c)	word (eam) ← (eam) – (A)	—	—	—	—	—	*	*	*	*	*
SUBCW A, ear	2	2	0	word (A) ← (A) – (ear) – (C)	—	—	—	—	—	*	*	*	*	—
SUBCW A, eam	2 +	3 + (a)	(c)	word (A) ← (A) – (eam) – (C)	—	—	—	—	—	*	*	*	*	—
ADDL A, ear	2	5	0	long (A) ← (A) + (ear)	—	—	—	—	—	*	*	*	*	—
ADDL A, eam	2 +	6 + (a)	(d)	long (A) ← (A) + (eam)	—	—	—	—	—	*	*	*	*	—
ADDL A, #imm32	5	4	0	long (A) ← (A) + imm32	—	—	—	—	—	*	*	*	*	—
SUBL A, ear	2	5	0	long (A) ← (A) – (ear)	—	—	—	—	—	*	*	*	*	—
SUBL A, eam	2 +	6 + (a)	(d)	long (A) ← (A) – (eam)	—	—	—	—	—	*	*	*	*	—
SUBL A, #imm32	5	4	0	long (A) ← (A) – imm32	—	—	—	—	—	*	*	*	*	—

Note: For (a) to (d), refer to “Table 4 Number of Execution Cycles in Addressing Modes” and “Table 5 Correction Values for Number of Cycles for Calculating Actual Number of Cycles.”

# MB90246A Series

**Table 10 Increment/Decrement (Byte, Word, Long) [12 Instructions]**

Mnemonic		#	~	B	Operation	LH	AH	I	S	T	N	Z	V	C	RMW
INC	ear	2	2	0	byte (ear) ← (ear) +1	–	–	–	–	–	*	*	*	–	*
INC	eam	2 +	3 + (a)	2 × (b)	byte (eam) ← (eam) +1	–	–	–	–	–	*	*	*	–	*
DEC	ear	2	2	0	byte (ear) ← (ear) –1	–	–	–	–	–	*	*	*	–	*
DEC	eam	2 +	3 + (a)	2 × (b)	byte (eam) ← (eam) –1	–	–	–	–	–	*	*	*	–	*
INCW	ear	2	2	0	word (ear) ← (ear) +1	–	–	–	–	–	*	*	*	–	*
INCW	eam	2 +	3 + (a)	2 × (c)	word (eam) ← (eam) +1	–	–	–	–	–	*	*	*	–	*
DECW	ear	2	2	0	word (ear) ← (ear) –1	–	–	–	–	–	*	*	*	–	*
DECW	eam	2 +	3 + (a)	2 × (c)	word (eam) ← (eam) –1	–	–	–	–	–	*	*	*	–	*
INCL	ear	2	4	0	long (ear) ← (ear) +1	–	–	–	–	–	*	*	*	–	–
INCL	eam	2 +	5 + (a)	2 × (d)	long (eam) ← (eam) +1	–	–	–	–	–	*	*	*	–	*
DECL	ear	2	4	0	long (ear) ← (ear) –1	–	–	–	–	–	*	*	*	–	*
DECL	eam	2 +	5 + (a)	2 × (d)	long (eam) ← (eam) –1	–	–	–	–	–	*	*	*	–	*

Note: For (a) to (d), refer to “Table 4 Number of Execution Cycles in Addressing Modes” and “Table 5 Correction Values for Number of Cycles for Calculating Actual Number of Cycles.”

**Table 11 Compare (Byte, Word, Long) [11 Instructions]**

Mnemonic		#	~	B	Operation	LH	AH	I	S	T	N	Z	V	C	RMW
CMP	A	1	1	0	byte (AH) – (AL)	–	–	–	–	–	*	*	*	*	–
CMP	A, ear	2	2	0	byte (A) – (ear)	–	–	–	–	–	*	*	*	*	–
CMP	A, eam	2 +	3 + (a)	(b)	byte (A) – (eam)	–	–	–	–	–	*	*	*	*	–
CMP	A, #imm8	2	2	0	byte (A) – imm8	–	–	–	–	–	*	*	*	*	–
CMPW	A	1	1	0	word (AH) – (AL)	–	–	–	–	–	*	*	*	*	–
CMPW	A, ear	2	2	0	word (A) – (ear)	–	–	–	–	–	*	*	*	*	–
CMPW	A, eam	2 +	3 + (a)	(c)	word (A) – (eam)	–	–	–	–	–	*	*	*	*	–
CMPW	A, #imm16	3	2	0	word (A) – imm16	–	–	–	–	–	*	*	*	*	–
CMPL	A, ear	2	6	0	word (A) – (ear)	–	–	–	–	–	*	*	*	*	–
CMPL	A, eam	2 +	7 + (a)	(d)	word (A) – (eam)	–	–	–	–	–	*	*	*	*	–
CMPL	A, #imm32	5	3	0	word (A) – imm32	–	–	–	–	–	*	*	*	*	–

Note: For (a) to (d), refer to “Table 4 Number of Execution Cycles in Addressing Modes” and “Table 5 Correction Values for Number of Cycles for Calculating Actual Number of Cycles.”

**Table 12 Unsigned Multiply/Division (Word, Long) [11 Instructions]**

Mnemonic	#	~	B	Operation	LH	AH	I	S	T	N	Z	V	C	RMW
DIVU A	1	*1	0	word (AH) /byte (AL) Quotient → byte (AL) Remainder → byte (AH)	–	–	–	–	–	–	–	*	*	–
DIVU A, ear	2	*2	0	word (A)/byte (ear) Quotient → byte (A) Remainder → byte (ear)	–	–	–	–	–	–	–	*	*	–
DIVU A, eam	2 +	*3	*6	word (A)/byte (eam) Quotient → byte (A) Remainder → byte (eam)	–	–	–	–	–	–	–	*	*	–
DIVUW A, ear	2	*4	0	long (A)/word (ear) Quotient → word (A) Remainder → word (ear)	–	–	–	–	–	–	–	*	*	–
DIVUW A, eam	2 +	*5	*7	long (A)/word (eam) Quotient → word (A) Remainder → word (eam)	–	–	–	–	–	–	–	*	*	–
MULU A	1	*8	0	byte (AH) byte (AL) → word (A)	–	–	–	–	–	–	–	–	–	–
MULU A, ear	2	*9	0	byte (A) byte (ear) → word (A)	–	–	–	–	–	–	–	–	–	–
MULU A, eam	2 +	*10	(b)	byte (A) byte (eam) → word (A)	–	–	–	–	–	–	–	–	–	–
MULUW A	1	*11	0	word (AH) word (AL) → long (A)	–	–	–	–	–	–	–	–	–	–
MULUW A, ear	2	*12	0	word (A) word (ear) → long (A)	–	–	–	–	–	–	–	–	–	–
MULUW A, eam	2 +	*13	(c)	word (A) word (eam) → long (A)	–	–	–	–	–	–	–	–	–	–

Note: For (b) and (c), refer to “Table 5 Correction Values for Number of Cycles for Calculating Actual Number of Cycles.”

- \*1: Set to 3 when the division-by-0, 6 for an overflow, and 14 for normal operation.
- \*2: Set to 3 when the division-by-0, 6 for an overflow, and 13 for normal operation.
- \*3: Set to 5 + (a) when the division-by-0, 7 + (a) for an overflow, and 17 + (a) for normal operation.
- \*4: Set to 3 when the division-by-0, 5 for an overflow, and 21 for normal operation.
- \*5: Set to 4 + (a) when the division-by-0, 7 + (a) for an overflow, and 25 + (a) for normal operation.
- \*6: When the division-by-0, (b) for an overflow, and 2 × (b) for normal operation.
- \*7: When the division-by-0, (c) for an overflow, and 2 × (c) for normal operation.
- \*8: Set to 3 when byte (AH) is zero, 7 when byte (AH) is not zero.
- \*9: Set to 3 when byte (ear) is zero, 7 when byte (ear) is not zero.
- \*10: Set to 4 + (a) when byte (eam) is zero, 8 + (a) when byte (eam) is not zero.
- \*11: Set to 3 when word (AH) is zero, 11 when word (AH) is not zero.
- \*12: Set to 4 when word (ear) is zero, 11 when word (ear) is not zero.
- \*13: Set to 4 + (a) when word (eam) is zero, 12 + (a) when word (eam) is not zero.

# MB90246A Series

**Table 0 Signed multiplication/division (Word, Long) [11 Instructions]**

Mnemonic	#	~	B	Operation	LH	AH	I	S	T	N	Z	V	C	RMW
DIV A	2	*1	0	word (AH)/byte (AL) Quotient → byte (AL) Remainder → byte (AH)	Z	–	–	–	–	–	–	*	*	–
DIV A, ear	2	*2	0	word (A)/byte (ear) Quotient → byte (A) Remainder → byte (ear)	Z	–	–	–	–	–	–	*	*	–
DIV A, eam	2 +	*3	*6	word (A)/byte (eam) Quotient → byte (A) Remainder → byte (eam)	Z	–	–	–	–	–	–	*	*	–
DIVW A, ear	2	*4	0	long (A)/word (ear) Quotient → word (A) Remainder → word (ear)	–	–	–	–	–	–	–	*	*	–
DIVW A, eam	2 +	*5	*7	long (A)/word (eam) Quotient → word (A) Remainder → word (eam)	–	–	–	–	–	–	–	*	*	–
MUL A	2	*8	0	byte (AH) × byte (AL) → word (A)	–	–	–	–	–	–	–	–	–	–
MUL A, ear	2	*9	0	byte (A) × byte (ear) → word (A)	–	–	–	–	–	–	–	–	–	–
MUL A, eam	2 +	*10	(b)	byte (A) × byte (eam) → word (A)	–	–	–	–	–	–	–	–	–	–
MULW A	2	*11	0	word (AH) × word (AL) → long (A)	–	–	–	–	–	–	–	–	–	–
MULW A, ear	2	*12	0	word (A) × word (ear) → long (A)	–	–	–	–	–	–	–	–	–	–
MULW A, eam	2 +	*13	(b)	word (A) × word (eam) → long (A)	–	–	–	–	–	–	–	–	–	–

For (b) and (c), refer to “Table 5 Correction Values for Number of Cycles for Calculating Actual Number of Cycles.”

- \*1: Set to 3 for divide-by-0, 8 or 18 for an overflow, and 18 for normal operation.
- \*2: Set to 3 for divide-by-0, 10 or 21 for an overflow, and 22 for normal operation.
- \*3: Set to 4 + (a) for divide-by-0, 11 + (a) or 22 + (a) for an overflow, and 23 + (a) for normal operation.
- \*4: Positive divided: Set to 4 for divide-by-0, 10 or 29 for an overflow, and 30 for normal operation.  
Negative divided: Set to 4 for divide-by-0, 11 or 30 for an overflow, and 31 for normal operation.
- \*5: Positive divided: Set to 4 + (a) for divide-by-0, 11 + (a) or 30 + (a) for an overflow, and 31 + (a) for normal operation.  
Negative divided: Set to 4 + (a) for divide-by-0, 12 + (a) or 31 + (a) for an overflow, and 32 + (a) for normal operation.
- \*6: Set to (b) when the division-by-0 or an overflow, and 2 × (b) for normal operation.
- \*7: Set to (c) when the division-by-0 or an overflow, and 2 × (c) for normal operation.
- \*8: Set to 3 when byte (AH) is zero, 12 when the result is positive, and 13 when the result is negative.
- \*9: Set to 3 when byte (ear) is zero, 12 when the result is positive, and 13 when the result is negative.
- \*10: Set to 4 + (a) when byte (eam) is zero, 13 + (a) when the result is positive, and 14 + (a) when the result is negative.
- \*11: Set to 3 when word (AH) is zero, 12 when the result is positive, and 13 when the result is negative.
- \*12: Set to 3 when word (ear) is zero, 16 when the result is positive, and 19 when the result is negative.
- \*13: Set to 4 + (a) when word (eam) is zero, 17 + (a) when the result is positive, and 20 + (a) when the result is negative.

Note: When overflow occurs during DIV or DIVW instruction execution, the number of execution cycles takes two values because of detection before and after an operation.  
When overflow occurs during DIV or DIVW instruction execution, the contents of AL are destroyed.



**Table 14 Logic 1 (Byte, Word) [39 Instructions]**

Mnemonic	#	~	B	Operation	LH	AH	I	S	T	N	Z	V	C	RMW
AND A, #imm8	2	2	0	byte (A) ← (A) and imm8	–	–	–	–	–	*	*	R	–	–
AND A, ear	2	2	0	byte (A) ← (A) and (ear)	–	–	–	–	–	*	*	R	–	–
AND A, eam	2 +	3 + (a)	(b)	byte (A) ← (A) and (eam)	–	–	–	–	–	*	*	R	–	–
AND ear, A	2	3	0	byte (ear) ← (ear) and (A)	–	–	–	–	–	*	*	R	–	*
AND eam, A	2 +	3 + (a)	2 × (b)	byte (eam) ← (eam) and (A)	–	–	–	–	–	*	*	R	–	*
OR A, #imm8	2	2	0	byte (A) ← (A) or imm8	–	–	–	–	–	*	*	R	–	–
OR A, ear	2	2	0	byte (A) ← (A) or (ear)	–	–	–	–	–	*	*	R	–	–
OR A, eam	2 +	3 + (a)	(b)	byte (A) ← (A) or (eam)	–	–	–	–	–	*	*	R	–	–
OR ear, A	2	3	0	byte (ear) ← (ear) or (A)	–	–	–	–	–	*	*	R	–	*
OR eam, A	2 +	3 + (a)	2 × (b)	byte (eam) ← (eam) or (A)	–	–	–	–	–	*	*	R	–	*
XOR A, #imm8	2	2	0	byte (A) ← (A) xor imm8	–	–	–	–	–	*	*	R	–	–
XOR A, ear	2	2	0	byte (A) ← (A) xor (ear)	–	–	–	–	–	*	*	R	–	–
XOR A, eam	2 +	3 + (a)	(b)	byte (A) ← (A) xor (eam)	–	–	–	–	–	*	*	R	–	–
XOR ear, A	2	3	0	byte (ear) ← (ear) xor (A)	–	–	–	–	–	*	*	R	–	*
XOR eam, A	2 +	3 + (a)	2 × (b)	byte (eam) ← (eam) xor (A)	–	–	–	–	–	*	*	R	–	*
NOT A	1	2	0	byte (A) ← not (A)	–	–	–	–	–	*	*	R	–	–
NOT ear	2	2	0	byte (ear) ← not (ear)	–	–	–	–	–	*	*	R	–	*
NOT eam	2 +	3 + (a)	2 × (b)	byte (eam) ← not (eam)	–	–	–	–	–	*	*	R	–	*
ANDW A	1	2	0	word (A) ← (AH) and (A)	–	–	–	–	–	*	*	R	–	–
ANDW A, #imm16	3	2	0	word (A) ← (A) and imm16	–	–	–	–	–	*	*	R	–	–
ANDW A, ear	2	2	0	word (A) ← (A) and (ear)	–	–	–	–	–	*	*	R	–	–
ANDW A, eam	2 +	3 + (a)	(c)	word (A) ← (A) and (eam)	–	–	–	–	–	*	*	R	–	–
ANDW ear, A	2	3	0	word (ear) ← (ear) and (A)	–	–	–	–	–	*	*	R	–	*
ANDW eam, A	2 +	3 + (a)	2 × (c)	word (eam) ← (eam) and (A)	–	–	–	–	–	*	*	R	–	*
ORW A	1	2	0	word (A) ← (AH) or (A)	–	–	–	–	–	*	*	R	–	–
ORW A, #imm16	3	2	0	word (A) ← (A) or imm16	–	–	–	–	–	*	*	R	–	–
ORW A, ear	2	2	0	word (A) ← (A) or (ear)	–	–	–	–	–	*	*	R	–	–
ORW A, eam	2 +	3 + (a)	(c)	word (A) ← (A) or (eam)	–	–	–	–	–	*	*	R	–	–
ORW ear, A	2	3	0	word (ear) ← (ear) or (A)	–	–	–	–	–	*	*	R	–	*
ORW eam, A	2 +	3 + (a)	2 × (c)	word (eam) ← (eam) or (A)	–	–	–	–	–	*	*	R	–	*
XORW A	1	2	0	word (A) ← (AH) xor (A)	–	–	–	–	–	*	*	R	–	–
XORW A, #imm16	3	2	0	word (A) ← (A) xor imm16	–	–	–	–	–	*	*	R	–	–
XORW A, ear	2	2	0	word (A) ← (A) xor (ear)	–	–	–	–	–	*	*	R	–	–
XORW A, eam	2 +	3 + (a)	(c)	word (A) ← (A) xor (eam)	–	–	–	–	–	*	*	R	–	–
XORW ear, A	2	3	0	word (ear) ← (ear) xor (A)	–	–	–	–	–	*	*	R	–	*
XORW eam, A	2 +	3 + (a)	2 × (c)	word (eam) ← (eam) xor (A)	–	–	–	–	–	*	*	R	–	*
NOTW A	1	2	0	word (A) ← not (A)	–	–	–	–	–	*	*	R	–	–
NOTW ear	2	3	0	word (ear) ← not (ear)	–	–	–	–	–	*	*	R	–	*
NOTW eam	2 +	3 + (a)	2 × (c)	word (eam) ← not (eam)	–	–	–	–	–	*	*	R	–	*

Note: For (a) to (c), refer to “Table 4 Number of Execution Cycles in Addressing Modes” and “Table 5 Correction Values for Number of Cycles for Calculating Actual Number of Cycles.”

# MB90246A Series

**Table 15 Logic 2 (Long) [6 Instructions]**

Mnemonic	#	~	B	Operation	LH	AH	I	S	T	N	Z	V	C	RMW
ANDL A, ear	2	5	0	long (A) ← (A) and (ear)	-	-	-	-	-	*	*	R	-	-
ANDL A, eam	2 +	6 + (a)	(d)	long (A) ← (A) and (eam)	-	-	-	-	-	*	*	R	-	-
ORL A, ear	2	5	0	long (A) ← (A) or (ear)	-	-	-	-	-	*	*	R	-	-
ORL A, eam	2 +	6 + (a)	(d)	long (A) ← (A) or (eam)	-	-	-	-	-	*	*	R	-	-
XORL A, ear	2	5	0	long (A) ← (A) xor (ear)	-	-	-	-	-	*	*	R	-	-
XORL A, eam	2 +	6 + (a)	(d)	long (A) ← (A) xor (eam)	-	-	-	-	-	*	*	R	-	-

Note: For (a) and (d), refer to “Table 4 Number of Execution Cycles in Addressing Modes” and “Table 5 Correction Values for Number of Cycles for Calculating Actual Number of Cycles.”

**Table 16 Sign Reverse (Byte, Word) [6 Instructions]**

Mnemonic	#	~	RG	B	Operation	LH	AH	I	S	T	N	Z	V	C	RMW
NEG A	1	2	0	0	byte (A) ← 0 – (A)	X	-	-	-	-	*	*	*	*	-
NEG ear	2	3	2	0	byte (ear) ← 0 – (ear)	-	-	-	-	-	*	*	*	*	-
NEG eam	2 +	5 + (a)	0	2 × (b)	byte (eam) ← 0 – (eam)	-	-	-	-	-	*	*	*	*	*
NEGW A	1	2	0	0	word (A) ← 0 – (A)	-	-	-	-	-	*	*	*	*	-
NEGW ear	2	3	2	0	word (ear) ← 0 – (ear)	-	-	-	-	-	*	*	*	*	-
NEGW eam	2 +	5 + (a)	0	2 × (c)	word (eam) ← 0 – (eam)	-	-	-	-	-	*	*	*	*	*

Note: For (a) and (d), refer to “Table 4 Number of Execution Cycles in Addressing Modes” and “Table 5 Correction Values for Number of Cycles for Calculating Actual Number of Cycles.”

**Table 17 Absolute Values (Byte, Word, Long) [3 Instructions]**

Mnemonic	#	~	B	Operation	LH	AH	I	S	T	N	Z	V	C	RMW
ABS A	2	2	0	byte (A) ← Absolute value (A)	Z	-	-	-	-	*	*	*	-	-
ABSW A	2	2	0	word (A) ← Absolute value (A)	-	-	-	-	-	*	*	*	-	-
ABSL A	2	4	0	long (A) ← Absolute value (A)	-	-	-	-	-	*	*	*	-	-

**Table 18 Normalize Instruction (Long) [1 Instruction]**

Mnemonic	#	~	RG	B	Operation	LH	AH	I	S	T	N	Z	V	C	RMW
NRML A, R0	2	*1	1	0	long (A) ← Shift to where “1” is originally located byte (R0) ← Number of shifts in the operation	-	-	-	-	-	-	*	-	-	-

\* : Set to 5 when the accumulator is all “0”, otherwise set to 5 + (R0).

**Table 19 Shift Type Instruction (Byte, Word, Long) [27 Instructions]**

Mnemonic	#	~	B	Operation	LH	AH	I	S	T	N	Z	V	C	RMW
RORC A	2	2	0	byte (A) ← With right-rotate carry	–	–	–	–	–	*	*	–	*	–
ROLC A	2	2	0	byte (A) ← With left-rotate carry	–	–	–	–	–	*	*	–	*	–
RORC ear	2	2	0	byte (ear) ← With right-rotate carry	–	–	–	–	–	*	*	–	*	*
RORC eam	2 +	3 + (a)	2 × (b)	byte (eam) ← With right-rotate carry	–	–	–	–	–	*	*	–	*	*
ROLC ear	2	2	0	byte (ear) ← With left-rotate carry	–	–	–	–	–	*	*	–	*	*
ROLC eam	2 +	3 + (a)	2 × (b)	byte (eam) ← With left-rotate carry	–	–	–	–	–	*	*	–	*	*
ASR A, R0	2	*1	0	byte (A) ← Arithmetic right barrel shift (A, R0)	–	–	–	–	*	*	*	–	*	–
LSR A, R0	2	*1	0	byte (A) ← Logical right barrel shift (A, R0)	–	–	–	–	*	*	*	–	*	–
LSL A, R0	2	*1	0	byte (A) ← Logical left barrel shift (A, R0)	–	–	–	–	–	*	*	–	*	–
ASR A, #imm8	3	*3	0	byte (A) ← Arithmetic right barrel shift (A, imm8)	–	–	–	–	*	*	*	–	*	–
LSR A, #imm8	3	*3	0	byte (A) ← Logical right barrel shift (A, imm8)	–	–	–	–	*	*	*	–	*	–
LSL A, #imm8	3	*3	0	byte (A) ← Logical left barrel shift (A, imm8)	–	–	–	–	–	*	*	–	*	–
ASRW A	1	2	0	word (A) ← Arithmetic right shift (A, 1 bit)	–	–	–	–	*	*	*	–	*	–
LSRW A/SHRW A	1	2	0	word (A) ← Logical right shift (A, 1 bit)	–	–	–	–	*	R	*	–	*	–
LSLW A/SHLW A	1	2	0	word (A) ← Logical left shift (A, 1 bit)	–	–	–	–	–	*	*	–	*	–
ASRW A, R0	2	*1	0	word (A) ← Arithmetic right barrel shift (A, R0)	–	–	–	–	*	*	*	–	*	–
LSRW A, R0	2	*1	0	word (A) ← Logical right barrel shift (A, R0)	–	–	–	–	*	*	*	–	*	–
LSLW A, R0	2	*1	0	word (A) ← Logical left barrel shift (A, R0)	–	–	–	–	–	*	*	–	*	–
ASRW A, #imm8	3	*3	0	word (A) ← Arithmetic right barrel shift (A, imm8)	–	–	–	–	*	*	*	–	*	–
LSRW A, #imm8	3	*3	0	word (A) ← Logical right barrel shift (A, imm8)	–	–	–	–	*	*	*	–	*	–
LSLW A, #imm8	3	*3	0	word (A) ← Logical left barrel shift (A, imm8)	–	–	–	–	–	*	*	–	*	–
ASRL A, R0	2	*2	0	long (A) ← Arithmetic right barrel shift (A, R0)	–	–	–	–	*	*	*	–	*	–
LSRL A, R0	2	*2	0	long (A) ← Logical right barrel shift (A, R0)	–	–	–	–	*	*	*	–	*	–
LSLL A, R0	2	*2	0	long (A) ← Logical left barrel shift (A, R0)	–	–	–	–	–	*	*	–	*	–
ASRL A, #imm8	3	*4	0	long (A) ← Arithmetic right barrel shift (A, imm8)	–	–	–	–	*	*	*	–	*	–
LSRL A, #imm8	3	*4	0	long (A) ← Logical right barrel shift (A, imm8)	–	–	–	–	*	*	*	–	*	–
LSLL A, #imm8	3	*4	0	long (A) ← Logical left barrel shift (A, imm8)	–	–	–	–	–	*	*	–	*	–

Note: For (a) and (b), refer to “Table 4 Number of Execution Cycles in Addressing Modes” and “Table 5 Correction Values for Number of Cycles for Calculating Actual Number of Cycles.”

- \*1: Set to 3 when R0 is 0, otherwise 3 + (R0).
- \*2: Set to 3 when R0 is 0, otherwise 4 + (R0).
- \*3: Set to 3 when imm8 is 0, otherwise 3 + imm8.
- \*4: Set to 3 when imm8 is 0, otherwise 4 + imm8.

# MB90246A Series

Table 20 Branch 1 [31 Instructions]

Mnemonic	#	~	B	Operation	LH	AH	I	S	T	N	Z	V	C	RMW
BZ/BEQ rel	2	*1	0	Branch if (Z) = 1	-	-	-	-	-	-	-	-	-	-
BNZ/BNE rel	2	*1	0	Branch if (Z) = 0	-	-	-	-	-	-	-	-	-	-
BC/BLO rel	2	*1	0	Branch if (C) = 1	-	-	-	-	-	-	-	-	-	-
BNC/BHS rel	2	*1	0	Branch if (C) = 0	-	-	-	-	-	-	-	-	-	-
BN rel	2	*1	0	Branch if (N) = 1	-	-	-	-	-	-	-	-	-	-
BP rel	2	*1	0	Branch if (N) = 0	-	-	-	-	-	-	-	-	-	-
BV rel	2	*1	0	Branch if (V) = 1	-	-	-	-	-	-	-	-	-	-
BNV rel	2	*1	0	Branch if (V) = 0	-	-	-	-	-	-	-	-	-	-
BT rel	2	*1	0	Branch if (T) = 1	-	-	-	-	-	-	-	-	-	-
BNT rel	2	*1	0	Branch if (T) = 0	-	-	-	-	-	-	-	-	-	-
BLT rel	2	*1	0	Branch if (V) xor (N) = 1	-	-	-	-	-	-	-	-	-	-
BGE rel	2	*1	0	Branch if (V) xor (N) = 0	-	-	-	-	-	-	-	-	-	-
BLE rel	2	*1	0	Branch if ((V) xor (N)) or (Z) = 1	-	-	-	-	-	-	-	-	-	-
BGT rel	2	*1	0	Branch if ((V) xor (N)) or (Z) = 0	-	-	-	-	-	-	-	-	-	-
BLS rel	2	*1	0	Branch if (C) or (Z) = 1	-	-	-	-	-	-	-	-	-	-
BHI rel	2	*1	0	Branch if (C) or (Z) = 0	-	-	-	-	-	-	-	-	-	-
BRA rel	2	*1	0	Branch unconditionally	-	-	-	-	-	-	-	-	-	-
JMP @A	1	2	0	word (PC) ← (A)	-	-	-	-	-	-	-	-	-	-
JMP addr16	3	2	0	word (PC) ← addr16	-	-	-	-	-	-	-	-	-	-
JMP @ear	2	3	0	word (PC) ← (ear)	-	-	-	-	-	-	-	-	-	-
JMP @eam	2 +	4 + (a)	(c)	word (PC) ← (eam)	-	-	-	-	-	-	-	-	-	-
JMPP @ear *3	2	3	0	word (PC) ← (ear), (PCB) ← (ear + 2)	-	-	-	-	-	-	-	-	-	-
JMPP @eam *3	2 +	4 + (a)	(d)	word (PC) ← (eam), (PCB) ← (eam + 2)	-	-	-	-	-	-	-	-	-	-
JMPP addr24	4	3	0	word (PC) ← ad24 0 – 15, (PCB) ← ad24 16 – 23	-	-	-	-	-	-	-	-	-	-
CALL @ear *4	2	4	(c)	word (PC) ← (ear)	-	-	-	-	-	-	-	-	-	-
CALL @eam *4	2 +	5 + (a)	2 × (c)	word (PC) ← (eam)	-	-	-	-	-	-	-	-	-	-
CALL addr16 *5	3	5	(c)	word (PC) ← addr16	-	-	-	-	-	-	-	-	-	-
CALLV #vct4 *5	1	5	2 × (c)	Vector call instruction	-	-	-	-	-	-	-	-	-	-
CALLP @ear *6	2	7	2 × (c)	word (PC) ← (ear) 0 – 15 (PCB) ← (ear) 16 – 23	-	-	-	-	-	-	-	-	-	-
CALLP @eam *6	2 +	8 + (a)	*2	word (PC) ← (eam) 0 – 15 (PCB) ← (eam) 16 – 23	-	-	-	-	-	-	-	-	-	-
CALLP addr24 *7	4	7	2 × (c)	word (PC) ← addr0 – 15, (PCB) ← addr16 – 23	-	-	-	-	-	-	-	-	-	-

Note: For (a), (c) and (d), refer to “Table 4 Number of Execution Cycles in Addressing Modes” and “Table 5 Correction Values for Number of Cycles for Calculating Actual Number of Cycles.”

\*1: Set to 3 when branch is executed, and 2 when branch is not executed.

\*2:  $3 \times (c) + (b)$

\*3: Reads (word) of the branch destination address.

\*4: W pushes to stack (word), and R reads (word) of the branch destination address.

\*5: Pushes to stack (word).

\*6: W pushes to stack (long), and R reads (long) of the branch destination address.

\*7: Pushes to stack (long).

**Table 21 Branch 2 [20 Instructions]**

Mnemonic	#	~	B	Operation	LH	AH	I	S	T	N	Z	V	C	RMW
CBNE A, #imm8, rel	3	*1	0	Branch if byte (A) ≠ imm8	—	—	—	—	—	*	*	*	*	—
CWBNE A, #imm16, rel	4	*1	0	Branch if word (A) ≠ imm16	—	—	—	—	—	*	*	*	*	—
CBNE ear, #imm8, rel	4	*1	0	Branch if byte (ear) ≠ imm8	—	—	—	—	—	*	*	*	*	—
CBNE eam, #imm8, rel	4+	*3	(b)	Branch if byte (eam) ≠ imm8	—	—	—	—	—	*	*	*	*	—
CWBNE ear, #imm16, rel	5	*1	0	Branch if word (ear) ≠ imm16	—	—	—	—	—	*	*	*	*	—
CWBNE eam, #imm16, rel	5+	*3	(c)	Branch if word (eam) ≠ imm16	—	—	—	—	—	*	*	*	*	—
DBNZ ear, rel	3	*2	0	byte (ear) = (ear) – 1, Branch if (ear) ≠ 0	—	—	—	—	—	*	*	*	—	—
DBNZ eam, rel	3+	*4	2 × (b)	byte (eam) = (eam) – 1, Branch if (eam) ≠ 0	—	—	—	—	—	*	*	*	—	*
DWBNZ ear, rel	3	*2	0	word (ear) = (ear) – 1, Branch if (ear) ≠ 0	—	—	—	—	—	*	*	*	—	—
DWBNZ eam, rel	3+	*4	2 × (c)	word (eam) = (eam) – 1, Branch if (eam) ≠ 0	—	—	—	—	—	*	*	*	—	*
INT #vct8	2	14	8 × (c)	Software interrupt	—	—	R	S	—	—	—	—	—	—
INT addr16	3	12	6 × (c)	Software interrupt	—	—	R	S	—	—	—	—	—	—
INTP addr24	4	13	6 × (c)	Software interrupt	—	—	R	S	—	—	—	—	—	—
INT9	1	14	8 × (c)	Software interrupt	—	—	R	S	—	—	—	—	—	—
RETI	1	9	6 × (c)	Return from interrupt	—	—	*	*	*	*	*	*	*	—
RETIQ *6	2	11	*5	Return from interrupt	—	—	*	*	*	*	*	*	*	—
LINK #imm8	2	6	(c)	Stores old frame pointer in the beginning of the function, set new frame pointer, and reserves local pointer area	—	—	—	—	—	—	—	—	—	—
UNLINK	1	5	(c)	Restore old frame pointer from stack in the end of the function	—	—	—	—	—	—	—	—	—	—
RET *7	1	4	(c)	Return from subroutine	—	—	—	—	—	—	—	—	—	—
RETP *8	1	5	(d)	Return from subroutine	—	—	—	—	—	—	—	—	—	—

Note: For (a) to (d), refer to “Table 4 Number of Execution Cycles in Addressing Modes” and “Table 5 Correction Values for Number of Cycles for Calculating Actual Number of Cycles.”

- \*1: Set to 4 when branch is executed, and 3 when branch is not executed.
- \*2: Set to 5 when branch is executed, and 4 when branch is not executed.
- \*3: Set to 5 + (a) when branch is executed, and 4 + (a) when branch is not executed.
- \*4: Set to 6 + (a) when branch is executed, and 5 + (a) when branch is not executed.
- \*5: Set to 3 × (b) + 2 × (c) when an interrupt request is issued, and 6 × (c) for return.
- \*6: This is a high-speed interrupt return instruction. In the instruction, an interrupt request is detected. When an interrupt occurs, stack operation is not performed, with this instruction branching to the interrupt vector.
- \*7: Return from stack (word).
- \*8: Return from stack (long).

# MB90246A Series

**Table 22 Miscellaneous Control Types (Byte, Word, Long) [36 Instructions]**

Mnemonic	#	~	B	Operation	LH	AH	I	S	T	N	Z	V	C	RMW
PUSHW A	1	3	(c)	word (SP) ← (SP) - 2, ((SP)) ← (A)	-	-	-	-	-	-	-	-	-	-
PUSHW AH	1	3	(c)	word (SP) ← (SP) - 2, ((SP)) ← (AH)	-	-	-	-	-	-	-	-	-	-
PUSHW PS	1	3	(c)	word (SP) ← (SP) - 2, ((SP)) ← (PS)	-	-	-	-	-	-	-	-	-	-
PUSHW rlst	2	*3	*4	(PS) ← (PS) - 2n, ((SP)) ← (rlst)	-	-	-	-	-	-	-	-	-	-
POPW A	1	3	(c)	word (A) ← ((SP)), (SP) ← (SP) + 2	-	*	-	-	-	-	-	-	-	-
POPW AH	1	3	(c)	word (AH) ← ((SP)), (SP) ← (SP) + 2	-	-	-	-	-	-	-	-	-	-
POPW PS	1	3	(c)	word (PS) ← ((SP)), (SP) ← (SP) + 2	-	-	*	*	*	*	*	*	*	-
POPW rlst	2	*2	*4	(rlst) ← ((SP)), (SP) ← (SP) + 2n	-	-	-	-	-	-	-	-	-	-
JCTX @A	1	9	6 × (c)	Context switch instruction	-	-	*	*	*	*	*	*	*	-
AND CCR, #imm8	2	3	0	byte (CCR) ← (CCR) and imm8	-	-	*	*	*	*	*	*	*	-
OR CCR, #imm8	2	3	0	byte (CCR) ← (CCR) or imm8	-	-	*	*	*	*	*	*	*	-
MOV RP, #imm8	2	2	0	byte (RP) ← imm8	-	-	-	-	-	-	-	-	-	-
MOV ILM, #imm8	2	2	0	byte (ILM) ← imm8	-	-	-	-	-	-	-	-	-	-
MOVEA RWi, ear	2	3	0	word (RWi) ← ear	-	-	-	-	-	-	-	-	-	-
MOVEA RWi, eam	2 +	2 + (a)	0	word (RWi) ← eam	-	-	-	-	-	-	-	-	-	-
MOVEA A, ear	2	2	0	word(A) ← ear	-	*	-	-	-	-	-	-	-	-
MOVEA A, eam	2 +	1 + (a)	0	word (A) ← eam	-	*	-	-	-	-	-	-	-	-
ADDSP #imm8	2	3	0	word (SP) ← (SP) + ext (imm8)	-	-	-	-	-	-	-	-	-	-
ADDSP #imm16	3	3	0	word (SP) ← (SP) + imm16	-	-	-	-	-	-	-	-	-	-
MOV A, brgl	2	*1	0	byte (A) ← (brgl)	Z	*	-	-	-	*	*	-	-	-
MOV brg2, A	2	1	0	byte (brg2) ← (A)	-	-	-	-	-	*	*	-	-	-
MOV brg2, #imm8	3	2	0	byte (brg2) ← imm8	-	-	-	-	-	*	*	-	-	-
NOP	1	1	0	No operation	-	-	-	-	-	-	-	-	-	-
ADB	1	1	0	Prefix code for accessing AD space	-	-	-	-	-	-	-	-	-	-
DTB	1	1	0	Prefix code for accessing DT space	-	-	-	-	-	-	-	-	-	-
PCB	1	1	0	Prefix code for accessing PC space	-	-	-	-	-	-	-	-	-	-
SPB	1	1	0	Prefix code for accessing SP space	-	-	-	-	-	-	-	-	-	-
NCC	1	1	0	Prefix code for no change in flag	-	-	-	-	-	-	-	-	-	-
CMR	1	1	0	Prefix for common register bank	-	-	-	-	-	-	-	-	-	-
MOVW SPCU, #imm16	4	2	0	word (SPCU) ← (imm16)	-	-	-	-	-	-	-	-	-	-
MOVW SPCL, #imm16	4	2	0	word (SPCL) ← (imm16)	-	-	-	-	-	-	-	-	-	-
SETSPC	2	2	0	Enables stack check operation.	-	-	-	-	-	-	-	-	-	-
CLRSPC	2	2	0	Disables stack check operation.	-	-	-	-	-	-	-	-	-	-
BTSCN A	2	*5	0	Bit position of 1 in byte (A) from word (A)	Z	-	-	-	-	-	*	-	-	-
BTSCNS A	2	*6	0	Bit position (× 2) of 1 in byte (A) from word (A)	Z	-	-	-	-	-	*	-	-	-
BTSCND A	2	*7	0	Bit position (× 4) of 1 in byte (A) from word (A)	Z	-	-	-	-	-	*	-	-	-

Note: For (a) and (c), refer to “Table 4 Number of Execution Cycles in Addressing Modes” and “Table 5 Correction Values for Number of Cycles for Calculating Actual Number of Cycles.”

\*1: PCB, ADB, SSB, USB, and SPB : 1 state  
 DTB : 2 states  
 DPR : 3 states

\*2: 3 + 4 × (number of POPs)

- \*3:  $3 + 4 \times (\text{number of PUSHes})$
- \*4:  $(\text{Number of POPs}) \times (c)$ , or  $(\text{number of PUSHes}) \times (c)$
- \*5: Set to 3 when AL is 0, 5 when AL is not 0.
- \*6: Set to 4 when AL is 0, 6 when AL is not 0.
- \*7: Set to 5 when AL is 0, 7 when AL is not 0.

**Table 23 Bit Manipulation Instruction [21 Instructions]**

Mnemonic	#	~	B	Operation	LH	AH	I	S	T	N	Z	V	C	RMW
MOVB A, dir:bp	3	3	(b)	byte (A) ← (dir:bp) b	Z	*	-	-	-	*	*	-	-	-
MOVB A, addr16:bp	4	3	(b)	byte (A) ← (addr16:bp) b	Z	*	-	-	-	*	*	-	-	-
MOVB A, io:bp	3	3	(b)	byte (A) ← (io:bp) b	Z	*	-	-	-	*	*	-	-	-
MOVB dir:bp, A	3	4	$2 \times (b)$	bit (dir:bp) b ← (A)	-	-	-	-	-	*	*	-	-	*
MOVB addr16:bp, A	4	4	$2 \times (b)$	bit (addr16:bp) b ← (A)	-	-	-	-	-	*	*	-	-	*
MOVB io:bp, A	3	4	$2 \times (b)$	bit (io:bp) b ← (A)	-	-	-	-	-	*	*	-	-	*
SETB dir:bp	3	4	$2 \times (b)$	bit (dir:bp) b ← 1	-	-	-	-	-	-	-	-	-	*
SETB addr16:bp	4	4	$2 \times (b)$	bit (addr16:bp) b ← 1	-	-	-	-	-	-	-	-	-	*
SETB io:bp	3	4	$2 \times (b)$	bit (io:bp) b ← 1	-	-	-	-	-	-	-	-	-	*
CLRB dir:bp	3	4	$2 \times (b)$	bit (dir:bp) b ← 0	-	-	-	-	-	-	-	-	-	*
CLRB addr16:bp	4	4	$2 \times (b)$	bit (addr16:bp) b ← 0	-	-	-	-	-	-	-	-	-	*
CLRB io:bp	3	4	$2 \times (b)$	bit (io:bp) b ← 0	-	-	-	-	-	-	-	-	-	*
BBC dir:bp, rel	4	*1	(b)	Branch if (dir:bp) b = 0	-	-	-	-	-	-	*	-	-	-
BBC addr16:bp, rel	5	*1	(b)	Branch if (addr16:bp) b = 0	-	-	-	-	-	-	*	-	-	-
BBC io:bp, rel	4	*1	(b)	Branch if (io:bp) b = 0	-	-	-	-	-	-	*	-	-	-
BBS dir:bp, rel	4	*1	(b)	Branch if (dir:bp) b = 1	-	-	-	-	-	-	*	-	-	-
BBS addr16:bp, rel	5	*1	(b)	Branch if (addr16:bp) b = 1	-	-	-	-	-	-	*	-	-	-
BBS io:bp, rel	4	*1	(b)	Branch if (io:bp) b = 1	-	-	-	-	-	-	*	-	-	-
SBBS addr16:bp, rel	5	*2	$2 \times (b)$	Branch if (addr16:bp) b = 1, bit = 1	-	-	-	-	-	-	*	-	-	*
WBTS io:bp	3	*3	*4	Wait until (io:bp) b = 1	-	-	-	S	-	-	-	-	-	-
WBTC io:bp	3	*3	*4	Wait until (io:bp) b = 0	-	-	-	-	-	-	-	-	-	-

Note: For (b), refer to "Table 5 Correction Values for Number of Cycles for Calculating Actual Number of Cycles."

- \*1: Set to 5 when branch is executed, and 4 when branch is not executed.
- \*2: 7 if conditions are met, 6 when conditions are not met.
- \*3: Indeterminate times
- \*4: Until conditions are met

# MB90246A Series

**Table 24 Accumulator Manipulation Instruction (Byte, Word) [6 Instructions]**

Mnemonic	#	~	B	Operation	LH	AH	I	S	T	N	Z	V	C	RMW
SWAP	1	3	0	byte (A) 0 – 7 ↔ (A) 8 – 15	–	–	–	–	–	–	–	–	–	–
SWAPW/XCHW AL, AH	1	2	0	word (AH) ↔ (AL)	–	*	–	–	–	–	–	–	–	–
EXT	1	1	0	byte sign-extension	X	–	–	–	–	*	–	–	–	–
EXTW	1	2	0	word sign-extension	–	X	–	–	–	*	–	–	–	–
ZEXT	1	1	0	byte zero-extension	Z	–	–	–	–	R	*	–	–	–
ZEXTW	1	1	0	word zero-extension	–	Z	–	–	–	R	*	–	–	–

**Table 25 String Instruction [10 Instructions]**

Mnemonic	#	~	B	Operation	LH	AH	I	S	T	N	Z	V	C	RMW
MOVS/MOVS	2	*2	*3	byte transfer @AH + ← @AL +, Counter = RW0	–	–	–	–	–	–	–	–	–	–
MOVSD	2	*2	*3	byte transfer @AH – ← @AL –, Counter = RW0	–	–	–	–	–	–	–	–	–	–
SCEQ/SCEQI	2	*1	*4	byte search (@AH +) – AL, Counter = RW0	–	–	–	–	–	*	*	*	*	–
SCEQD	2	*1	*4	byte search (@AH –) – AL, Counter = RW0	–	–	–	–	–	*	*	*	*	–
FISL/FILSI	2	5m + 6	*5	byte fill @AH + ← AL, Counter = RW0	–	–	–	–	–	*	*	–	–	–
MOVSW/MOVSWI	2	*2	*6	word transfer @AH + ← @AL +, Counter = RW0	–	–	–	–	–	–	–	–	–	–
MOVSWD	2	*2	*6	word transfer @AH – ← @AL –, Counter = RW0	–	–	–	–	–	–	–	–	–	–
SCWEQ/SCWEQI	2	*1	*7	word search (@AH +) – AL, Counter = RW0	–	–	–	–	–	*	*	*	*	–
SCWEQD	2	*1	*7	word search (@AH –) – AL, Counter = RW0	–	–	–	–	–	*	*	*	*	–
FILSW/FILSWI	2	5m + 6	*8	word fill @AH + ← AL, Counter = RW0	–	–	–	–	–	*	*	–	–	–

m: RW0 value (counter value)

\*1: 3 when RW0 is 0,  $2 + 6 \times (RW0)$  when count out, and  $6n + 4$  when matched

\*2: 4 when RW0 is 0, otherwise  $2 + 6 \times (RW0)$

\*3:  $(b) \times (RW0)$

\*4:  $(b) \times n$

\*5:  $(b) \times (RW0)$

\*6:  $(c) \times (RW0)$

\*7:  $(c) \times n$

\*8:  $(c) \times (RW0)$



**Table 26 Multiple Data Transfer Instructions [18 Instruction]**

Mnemonic	#	~	B	Operation	LH	AH	I	S	T	N	Z	V	C	RMW
MOVM @A, @RLi, #imm8	3	*1	*3	Multiple data transfer byte ((A)) ← ((RLi))	-	-	-	-	-	-	-	-	-	-
MOVM @A, eam, #imm8	3 +	*2	*3	Multiple data transfer byte ((A)) ← (eam)	-	-	-	-	-	-	-	-	-	-
MOVM addr16, @RLi, #imm8	5	*1	*3	Multiple data transfer byte (addr16) ← ((RLi))	-	-	-	-	-	-	-	-	-	-
MOVM addr16, @eam, #imm8	5 +	*2	*3	Multiple data transfer byte (addr16) ← (eam)	-	-	-	-	-	-	-	-	-	-
MOVMMW@A, @RLi, #imm8	3	*1	*4	Multiple data transfer word ((A)) ← ((RLi))	-	-	-	-	-	-	-	-	-	-
MOVMMW@A, eam, #imm8	3 +	*2	*4	Multiple data transfer word ((A)) ← (eam)	-	-	-	-	-	-	-	-	-	-
MOVMMWaddr16, @RLi, #imm8	5	*1	*4	Multiple data transfer word (addr16) ← ((RLi))	-	-	-	-	-	-	-	-	-	-
MOVMMWaddr16, @eam, #imm8	5 +	*2	*4	Multiple data transfer word (addr16) ← (eam)	-	-	-	-	-	-	-	-	-	-
MOVM @RLi, @A, #imm8	3	*1	*3	Multiple data transfer byte ((RLi)) ← ((A))	-	-	-	-	-	-	-	-	-	-
MOVM @eam, A, #imm8	3 +	*2	*3	Multiple data transfer byte (eam) ← ((A))	-	-	-	-	-	-	-	-	-	-
MOVM @RLi, addr16, #imm8	5	*1	*3	Multiple data transfer byte ((RLi)) ← (addr16)	-	-	-	-	-	-	-	-	-	-
MOVM @eam, addr16, #imm8	5 +	*2	*3	Multiple data transfer byte (eam) ← (addr16)	-	-	-	-	-	-	-	-	-	-
MOVMMW@RLi, @A, #imm8	3	*1	*4	Multiple data transfer word ((RLi)) ← ((A))	-	-	-	-	-	-	-	-	-	-
MOVMMW@eam, A, #imm8	3 +	*2	*4	Multiple data transfer word (eam) ← ((A))	-	-	-	-	-	-	-	-	-	-
MOVMMW@RLi, addr16, #imm8	5	*1	*4	Multiple data transfer word ((RLi)) ← (addr16)	-	-	-	-	-	-	-	-	-	-
MOVMMW@eam, addr16, #imm8	5 +	*2	*4	Multiple data transfer word (eam) ← (addr16)	-	-	-	-	-	-	-	-	-	-
MOVM bnk: addr16, bnk: addr16, #imm8*5	7	*1	*3	Multiple data transfer byte (bnk: addr16) ← (bnk: addr16)	-	-	-	-	-	-	-	-	-	-
MOVMMWbnk: addr16, bnk: addr16, #imm8*5	7	*1	*4	Multiple data transfer word (bnk: addr16) ← (bnk: addr16)	-	-	-	-	-	-	-	-	-	-

\*1: 256 when 5 + imm8 × 5, imm8 is 0.

\*2: 256 when 5 + imm8 × 5 + (a), imm8 is 0.

\*3: (Number of transfer cycles) × (b) × 2

\*4: (Number of transfer cycles) × (c) × 2

\*5: The bank register specified by bnk is the same as that for the MOVS instruction.

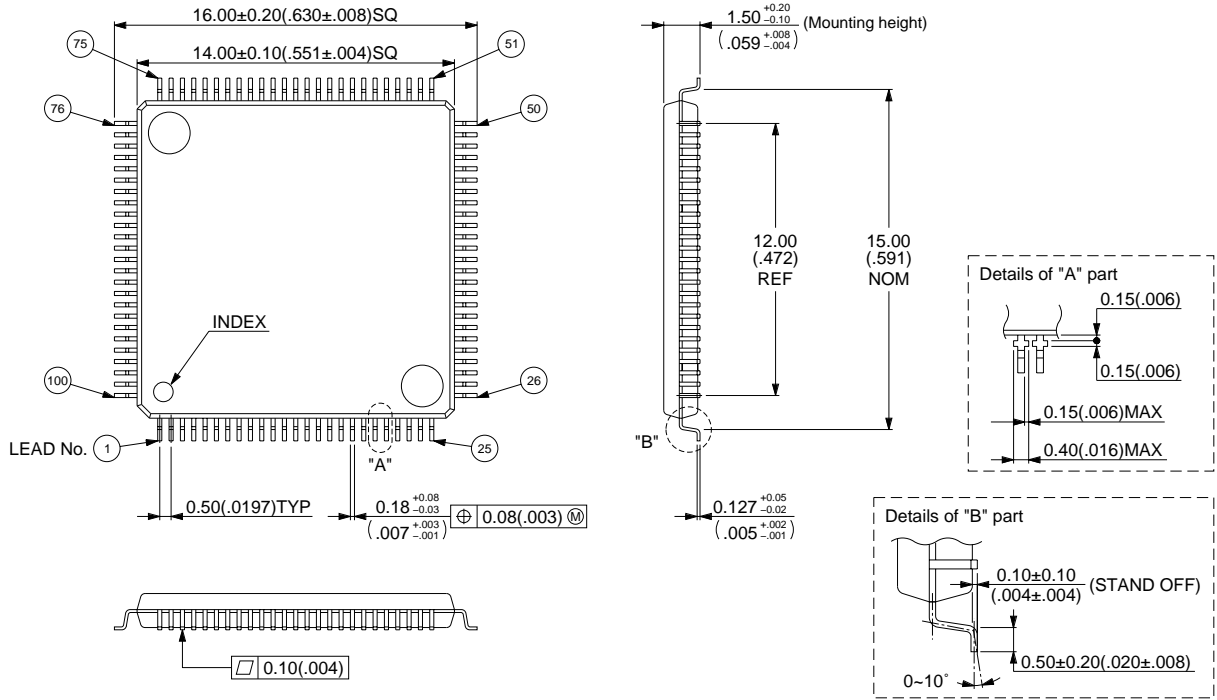
# MB90246A Series

## ■ ORDERING INFORMATION

Part number	Package	Remarks
MB90246APFV	100-pin Plastic LQFP (FPT-100P-M05)	

## ■ PACKAGE DIMENSIONS

100-pin Plastic LQFP  
(FPT-100P-M05)



© 1995 FUJITSU LIMITED F100007S-2C-3

Dimensions in mm (inches)

## FUJITSU LIMITED

*For further information please contact:*

### **Japan**

FUJITSU LIMITED  
Corporate Global Business Support Division  
Electronic Devices  
KAWASAKI PLANT, 4-1-1, Kamikodanaka  
Nakahara-ku, Kawasaki-shi  
Kanagawa 211-8588, Japan  
Tel: 81(44) 754-3763  
Fax: 81(44) 754-3329

<http://www.fujitsu.co.jp/>

### **North and South America**

FUJITSU MICROELECTRONICS, INC.  
Semiconductor Division  
3545 North First Street  
San Jose, CA 95134-1804, USA  
Tel: (408) 922-9000  
Fax: (408) 922-9179

Customer Response Center  
*Mon. - Fri.: 7 am - 5 pm (PST)*  
Tel: (800) 866-8608  
Fax: (408) 922-9179

<http://www.fujitsumicro.com/>

### **Europe**

FUJITSU MIKROELEKTRONIK GmbH  
Am Siebenstein 6-10  
D-63303 Dreieich-Buchsschlag  
Germany  
Tel: (06103) 690-0  
Fax: (06103) 690-122

<http://www.fujitsu-edc.com/>

### **Asia Pacific**

FUJITSU MICROELECTRONICS ASIA PTE LTD  
#05-08, 151 Lorong Chuan  
New Tech Park  
Singapore 556741  
Tel: (65) 281-0770  
Fax: (65) 281-0220

<http://www.fmap.com.sg/>

F98010

© FUJITSU LIMITED Printed in Japan

All Rights Reserved.

The contents of this document are subject to change without notice. Customers are advised to consult with FUJITSU sales representatives before ordering.

The information and circuit diagrams in this document are presented as examples of semiconductor device applications, and are not intended to be incorporated in devices for actual use. Also, FUJITSU is unable to assume responsibility for infringement of any patent rights or other rights of third parties arising from the use of this information or circuit diagrams.

FUJITSU semiconductor devices are intended for use in standard applications (computers, office automation and other office equipment, industrial, communications, and measurement equipment, personal or household devices, etc.).

#### **CAUTION:**

Customers considering the use of our products in special applications where failure or abnormal operation may directly affect human lives or cause physical injury or property damage, or where extremely high levels of reliability are demanded (such as aerospace systems, atomic energy controls, sea floor repeaters, vehicle operating controls, medical devices for life support, etc.) are requested to consult with FUJITSU sales representatives before such use. The company will not be responsible for damages arising from such use without prior approval.

Any semiconductor devices have an inherent chance of failure. You must protect against injury, damage or loss from such failures by incorporating safety design measures into your facility and equipment such as redundancy, fire protection, and prevention of over-current levels and other abnormal operating conditions.

If any products described in this document represent goods or technologies subject to certain restrictions on export under the Foreign Exchange and Foreign Trade Law of Japan, the prior authorization by Japanese government will be required for export of those products from Japan.