

**PLEASE CHECK WWW.MOLEX.COM FOR LATEST PART INFORMATION**

**Part Number:** [0709821003](#)  
**Status:** **Active**  
**Overview:** [tdp triad differential pair](#)  
**Description:** LFH™ and TDP® Panel Mount Hex Screw Kit

**Documents:**

[Drawing \(PDF\)](#) [RoHS Certificate of Compliance \(PDF\)](#)  
[Product Specification PS-70929 \(PDF\)](#)

**General**

Product Family	I/O Connectors
Series	<a href="#">70982</a>
Application	Wire-to-Board
Comments	Includes (1) Hex Lock Screw Only
Component Type	Hex Screw
MolexKits	Yes
Overview	<a href="#">tdp triad differential pair</a>
Product Name	LFH™, TDP®
Type	N/A

**Physical**

Boot Color	N/A
Circuits (Loaded)	N/A
Gender	N/A
Keying to Mating Part	N/A
Lock to Mating Part	Yes
Material - Plating Mating	n/a
Orientation	N/A
PCB Retention	N/A
Packaging Type	Bag
Panel Mount	Yes
Pitch - Mating Interface (in)	0.000 In
Pitch - Mating Interface (mm)	0.00 mm
Polarized to Mating Part	N/A
Polarized to PCB	N/A
Surface Mount Compatible (SMC)	No
Termination Interface: Style	N/A
Waterproof / Dustproof	No
Wire Size AWG	N/A

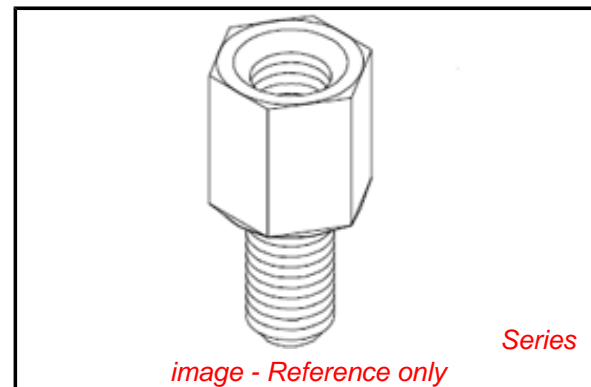
**Electrical**

Current - Maximum per Contact	N/A
Grounding to Panel	N/A
Voltage - Maximum	N/A

**Material Info**

**Reference - Drawing Numbers**

Application Specification	AS-70929-001
Product Specification	PS-70929
Sales Drawing	SD-70982-****



**EU RoHS**

**ELV and RoHS  
Compliant**  
**REACH SVHC  
Contains SVHC: No**  
**Halogen-Free  
Status  
Not Reviewed**

**China RoHS**



**Need more information on product  
environmental compliance?**

Email [productcompliance@molex.com](mailto:productcompliance@molex.com)  
For a multiple part number RoHS Certificate of Compliance, [click here](#)

Please visit the [Contact Us](#) section for any non-product compliance questions.

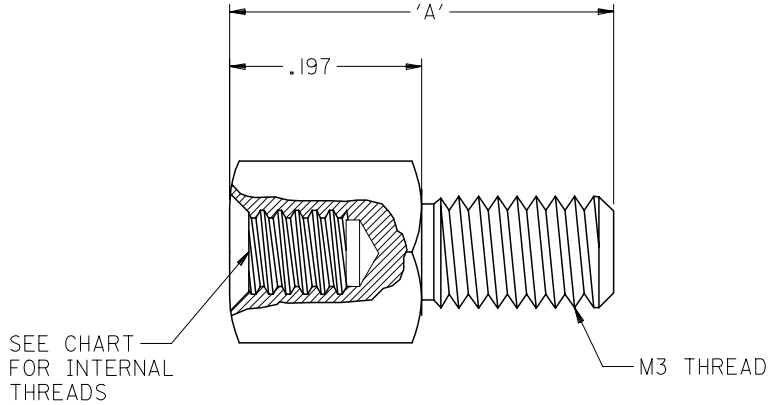
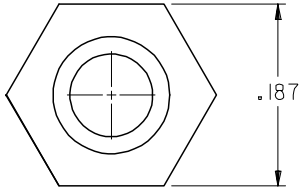
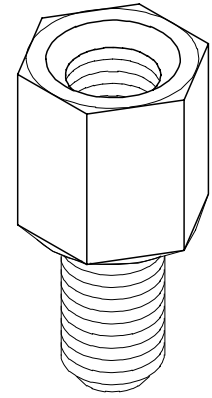
**Search Parts in this Series**

[70982Series](#)

**Use With**

[70660.](#) [70665.](#) [70928.](#) [70929.](#) [71624.](#) [71626.](#)  
[71475.](#) [71478.](#) [71718.](#) [74960](#)

ITEM #	INTERNAL THREAD	EXTERNAL THREAD	DIMENSION 'A'	FINISH
70982-1003	4-40 UNC	M3	.433	CLEAR TRIVALENT CHROMATE
70982-1004	M3	M3	.394	TIN
70982-1005	4-40 UNC	M3	.394	CLEAR TRIVALENT CHROMATE



NOTE FOR LEAD FREE CONVERSION:  
 THE PRIMARY SHIPPING CARTON WILL BE LABELED "COMPLIANT TO RoHS  
 DIRECTIVE 2002/95/EC AND ELV ANNEX II OF DIRECTIVE 2000/53/EC".  
 CARTONS WITHOUT THIS LABEL MAY CONTAIN PRODUCT WITH LEAD.

ROHS COMPLIANT EC NO: UCP2006-1389 DRWN:MSI/BARRA 2006/01/18 CHKD:BSMART 2006/01/24 APPR:SMILLER 2006/01/26	QUALITY SYMBOLS ▽=0 ▽=0	GENERAL TOLERANCES (UNLESS SPECIFIED)		DIMENSION STYLE INCH ONLY		SCALE 8:1	DESIGN UNITS INCH	THIRD ANGLE PROJECTION	
			mm	INCH	DRAWN BY MOS	DATE 94/01/17	TITLE 3/16 HEX. SCREWLOCK HARDWARE KIT SALES DETAIL		
		4 PLACES ± ---	± ---	± ---	CHECKED BY DRS	DATE 94/01/17			
		3 PLACES ± ---	± ---	± ---	APPROVED BY GWF	DATE 94/01/17	MATERIAL NO. MOLEX INCORPORATED		
2 PLACES ± ---	± ---	± ---	ANGULAR ±1/2°		SEE TABLE	DOCUMENT NO. SD-70982-****	SHEET NO. 1 OF 1		
1 PLACE ± ---	± ---	± ---	DRAFT WHERE APPLICABLE MUST REMAIN WITHIN DIMENSIONS		THIS DRAWING CONTAINS INFORMATION THAT IS PROPRIETARY TO MOLEX INCORPORATED AND SHOULD NOT BE USED WITHOUT WRITTEN PERMISSION				