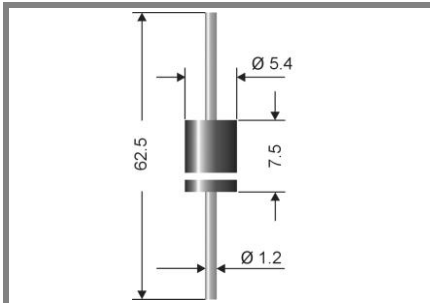


1,5 KE180...1,5 KE440CA



Axial lead diode

Unidirectional and bidirectional Transient Voltage Suppressor diodes

1,5 KE180...1,5 KE440CA

Pulse Power

Dissipation: 1500 W

Stand-off

voltage: 146 ... 376 V

Features

- Max. solder temperature: 260°C
- Plastic material has UL classification 94V-0
- For bidirectional types (suffix "C" or "CA"), electrical characteristics apply in both directions
- The standard tolerance of the breakdown voltage for each type is $\pm 10\%$. Suffix "A" denotes a tolerance of $\pm 5\%$ for the breakdown voltage.

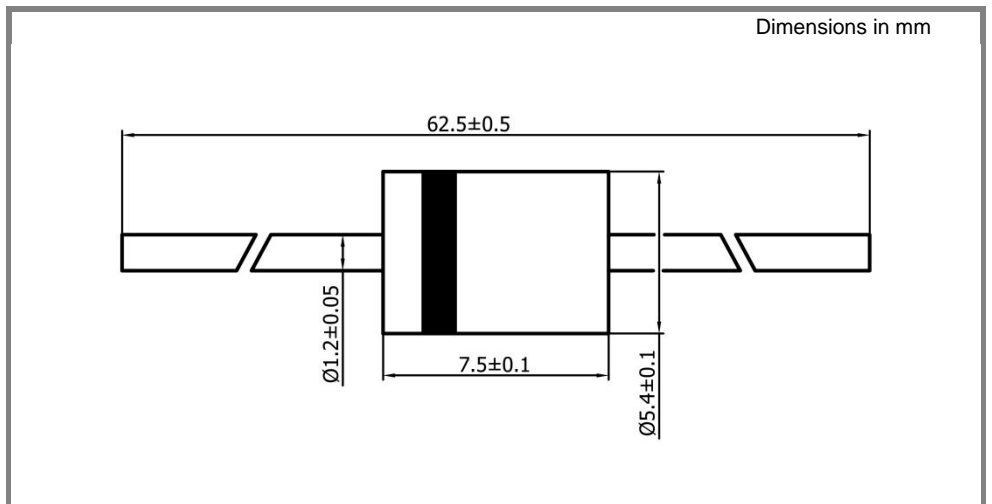
Mechanical Data

- Plastic case 5,4 x 7,5 [mm]
- Weight approx.: 1,4 g
- Terminals: plated terminals solderable per MIL-STD-750
- Mounting position: any
- Standard packaging: 1250 pieces per ammo

- 1) Non-repetitive current pulse see curve $I_{PPM} = f(t_r)$
- 2) Valid, if leads are kept at ambient temperature at a distance of 10 mm from case
- 3) Unidirectional diodes only

Absolute Maximum Ratings		$T_A = 25^\circ\text{C}$, unless otherwise specified	
Symbol	Conditions	Values	Units
P_{PPM}	Peak pulse power dissipation 10/1000 μs waveform ¹⁾ $T_a = 25^\circ\text{C}$	1500	W
$P_{M(AV)}$	Steady state power dissipation ²⁾ , $T_a = 25^\circ\text{C}$	6,5	W
I_{FSM}	Peak forward surge current, 60 Hz half sine-wave ³⁾ $T_a = 25^\circ\text{C}$	200	A
R_{thA}	Max. thermal resistance junction to ambient ²⁾	25	K/W
R_{thT}	Max. thermal resistance junction to terminal	8	K/W
T_j	Operating junction temperature	- 50 ... + 175	$^\circ\text{C}$
T_s	Storage temperature	- 50 ... + 175	$^\circ\text{C}$
V_f	Max. instant. forw. voltage $I_f = 100\text{ A}$ ³⁾	$V_{BR} \leq 200\text{V}$, $V_F < 3,5$	V
		$V_{BR} > 200\text{V}$, $V_F < 5,0$	V

Type	Stand-off voltage@ I_D		Breakdown voltage@ I_T		Test current I_T mA	Max. clamping voltage@ I_{PPM}	
	V_{WM} V	I_D μA	min. V	max. V		V_C V	I_{PPM} A
1,5 KE180	146	5	162	198	1	258	6,1
1,5 KE180A	154	5	171	189	1	246	6,4
1,5 KE200	162	5	180	220	1	287	5,4
1,5 KE200A	171	5	190	210	1	274	5,7
1,5 KE220	175	5	198	242	1	344	4,5
1,5 KE220A	185	5	209	231	1	328	4,8
1,5 KE250	202	5	225	275	1	360	4,3
1,5 KE250A	214	5	237	263	1	344	4,5
1,5 KE300	243	5	270	330	1	430	3,6
1,5 KE300A	256	5	285	315	1	414	3,8
1,5 KE350	284	5	315	385	1	504	3,1
1,5 KE350A	300	5	332	368	1	482	3,2
1,5 KE400	324	5	360	440	1	574	2,7
1,5 KE400A	342	5	380	420	1	548	2,8
1,5 KE440	356	5	396	484	1	631	2,4
1,5 KE440A	376	5	418	462	1	602	2,6



case: 5,4 x 7,5 [mm]

