

Quad high side smart power solid state relay

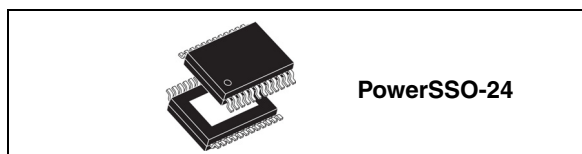
Datasheet –production data

Features

Type	$V_{\text{demag}}^{(1)}$	$R_{\text{DSon}}^{(1)}$	$I_{\text{out}}^{(1)}$	V_{CC}
VNI4140K-32	$V_{\text{CC}}-41\text{ V}$	$0.08\ \Omega$	1 A	41 V

1. Per channel

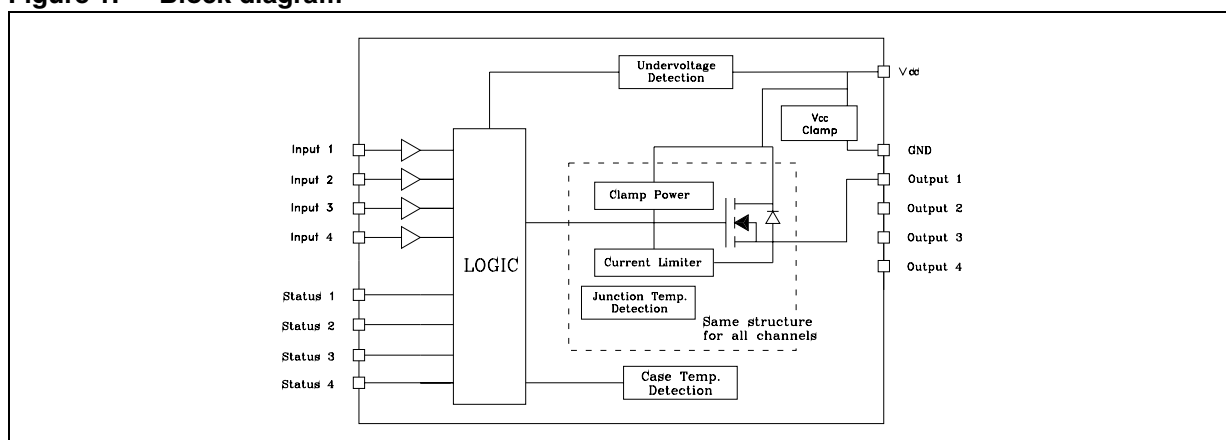
- Output current: 1 A per channel
- Shorted load protections
- Junction overtemperature protection
- Case overtemperature protection for thermal independence of the channels
- Thermal case shutdown restart not simultaneous for the various channels
- Protection against loss of ground
- Current limitation
- Undervoltage shutdown
- Open drain diagnostic outputs
- 3.3 V CMOS/TTL compatible inputs
- Fast demagnetization of inductive loads
- Conforms to IEC 61131-2
- ESD according to IEC 61000-4-2 up to +/- 25 KV



Description

The VNI4140K-32 is a monolithic device made using STMicroelectronics VIPower technology, intended for driving four independent resistive, capacitive or inductive loads with one side connected to ground. Active current limitation avoids the system power supply dropping in the case of shorted load. Built-in thermal shutdown protects the chip from overtemperature and short-circuit. In overload condition, the channel turns OFF and back ON automatically so as to maintain junction temperature between T_{TSD} and T_{R} . If this condition causes case temperature to reach T_{CSD} , the overloaded channel is turned OFF and restarts only when case temperature has decreased down to T_{CR} . In the case of more than one channel in overload, re-start of the overloaded channels is not simultaneous, in order to avoid high peak current from the supply. Non-overloaded channels continue to operate normally. The open drain diagnostic outputs indicate overtemperature conditions.

Figure 1. Block diagram



Contents

1	Pin connection	3
2	Maximum ratings	5
	2.1 Thermal data	5
3	Recommended	5
4	Electrical characteristics	6
5	Truth table	10
6	Thermal management	11
7	Switching waveforms	12
8	Pin functions	13
9	Package and PCB thermal data	15
	9.1 VNI4140K-32 thermal data	15
10	Reverse polarity protection	17
11	Package mechanical data	18
12	Ordering information	24
13	Revision history	25

1 Pin connection

Figure 2. Pin connection (top view)

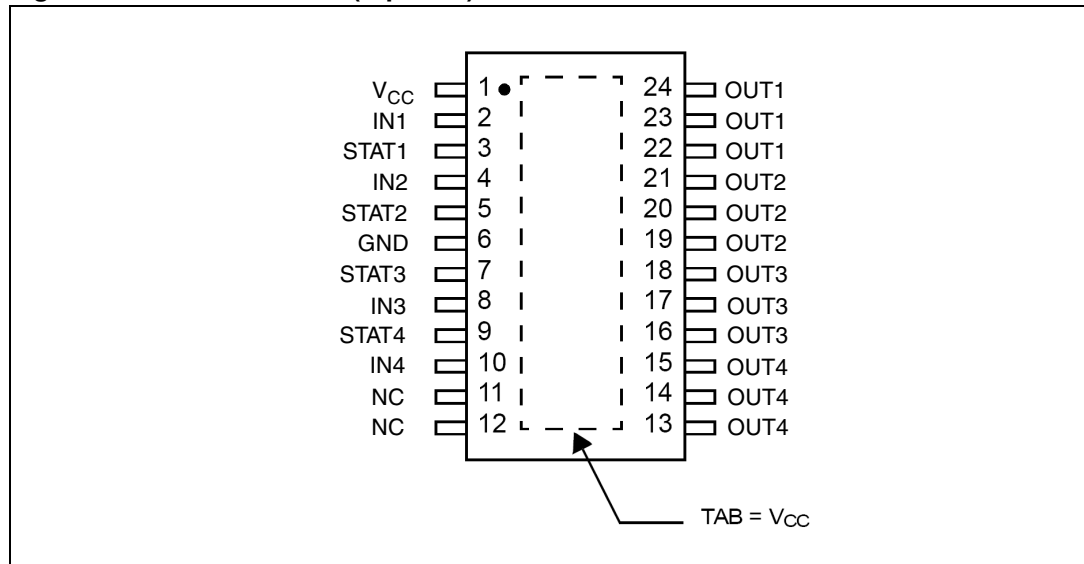


Table 1. Pin description

Pin	Name	Description
Tab	TAB	Exposed tab internally connected to V _{CC}
1	V _{CC}	Supply voltage
2	IN1	Channel 1 input 3.3 V CMOS/TTL compatible
3	STAT1	Channel 1 status in open drain configuration
4	IN2	Channel 2 input 3.3 V CMOS/TTL compatible
5	STA2	Channel 2 status in open drain configuration
6	GND	Device ground connection
7	STAT3	Channel 3 status in open drain configuration
8	IN3	Channel 3 input 3.3 V CMOS/TTL compatible
9	STAT4	Channel 4 status in open drain configuration
10	IN4	Channel 4 input 3.3 V CMOS/TTL compatible
11	NC	
12	NC	
13	OUT4	Channel 4 power stage output, internally protected
14	OUT4	Channel 4 power stage output, internally protected
15	OUT4	Channel 4 power stage output, internally protected
16	OUT3	Channel 3 power stage output, internally protected
17	OUT3	Channel 3 power stage output, internally protected

Table 1. Pin description (continued)

Pin	Name	Description
18	OUT3	Channel 3 power stage output, internally protected
19	OUT2	Channel 2 power stage output, internally protected
20	OUT2	Channel 2 power stage output, internally protected
21	OUT2	Channel 2 power stage output, internally protected
22	OUT1	Channel 1 power stage output, internally protected
23	OUT1	Channel 1 power stage output, internally protected
24	OUT1	Channel 1 power stage output, internally protected

2 Maximum ratings

Table 2. Absolute maximum rating

Symbol	Parameter	Value	Unit
V_{CC}	Power supply voltage	41	V
$-V_{CC}$	Reverse supply voltage	-0.3	V
I_{GND}	DC ground reverse current	-250	mA
I_{OUT}	Output current (continuous)	Internally limited	A
I_R	Reverse output current (per channel)	-5	A
I_{IN}	Input current (per channel)	± 10	mA
V_{IN}	Input voltage	$+V_{CC}$	V
V_{STAT}	Status pin voltage	$+V_{CC}$	V
I_{STAT}	Status pin current	± 10	mA
V_{ESD}	Electrostatic discharge (R = 1.5 k Ω , C = 100 pF)	2000	V
E_{AS}	Single pulse avalanche energy per channel not simultaneous	300	mJ
P_{TOT}	Power dissipation at $T_c = 25$ °C	Internally limited	W
T_J	Junction operating temperature	Internally limited	°C
T_{STG}	Storage temperature	-55 to 150	°C

2.1 Thermal data

Table 3. Thermal data

Symbol	Parameter	Value	Unit
$R_{th(JC)}$	Thermal resistance junction-case ⁽¹⁾	Max. 2	°C/W
$R_{th(JA)}$	Thermal resistance junction-ambient	Max. see Figure 11	°C/W

1. Per channel.

3 Recommended

Table 4. Input switching limits

Symbol	Parameter	Value	Unit
$f_{Vin MAX}$	Maximum input switching frequency	10	kHz

4 Electrical characteristics

10.5 V < V_{CC} < 36 V; -40 °C < T_J < 125 °C; unless otherwise specified.

Table 5. Power section

Symbol	Parameter	Test condition	Min.	Typ.	Max.	Unit
V _{CC}	Supply voltage		10.5		36	V
R _{DS(ON)}	ON state resistance	I _{OUT} = 0.7 A at T _J = 25 °C I _{OUT} = 0.7 A			0.080 0.140	Ω Ω
V _{clamp}		I _S = 20 mA	41	45	52	V
I _S	Supply current	All channels in OFF state, ON state with V _{IN} = 5 V		250 2.4	4	μA mA
V _{OUT(OFF)}	OFF state output voltage	V _{IN} = 0 V and I _{OUT} = 0 A			1	V
I _{OUT(OFF)}	OFF state output current	V _{IN} = V _{OUT} = 0 V	0		5	μA
I _{LGND}	Output current in ground disconnection	V _{CC} = V _{IN} = GND = 24 V; T _J = 125 °C			500	μA
F _{CP}	Charge pump frequency	Channel in ON state ⁽¹⁾		1450		kHz

1. To cover EN55022 class A and class B normative.

V_{CC} = 24 V; -25 °C < T_J < 125 °C, R_L = 48 Ω, input rise time < 0.1 μs)

Table 6. Switching

Symbol	Parameter	Test condition	Min.	Typ.	Max.	Unit
t _{d(ON)}	Turn ON delay			6		μS
t _r	Rise time			5		μS
t _{d(OFF)}	Turn OFF			12		μS
t _f	Fall time			5		μS
dV/dt _(ON)	Turn ON voltage slope			4		V/μS
dV/dt _(off)	Turn OFF voltage slope			4		V/μS

Figure 3. Switching parameter conventions

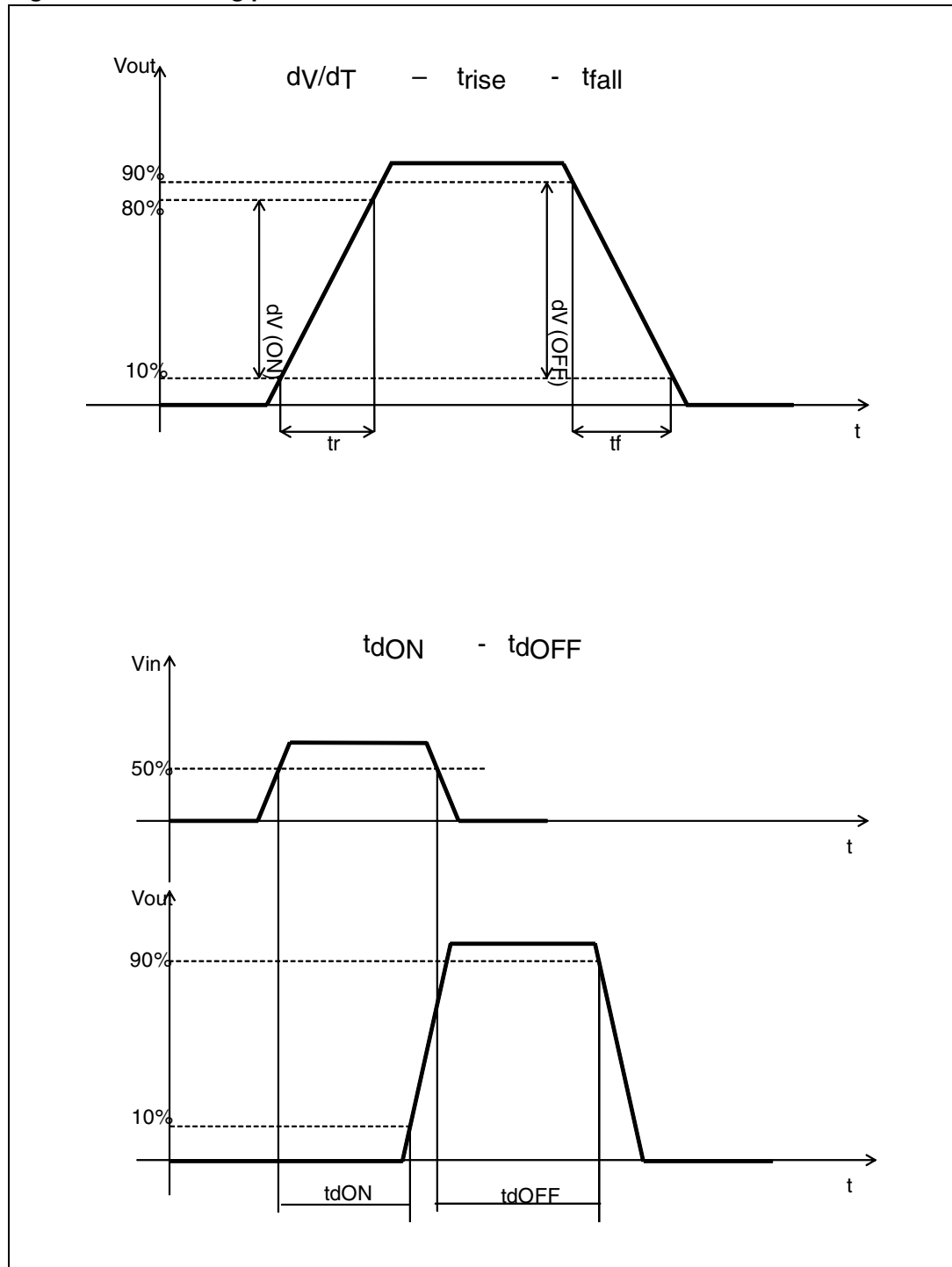


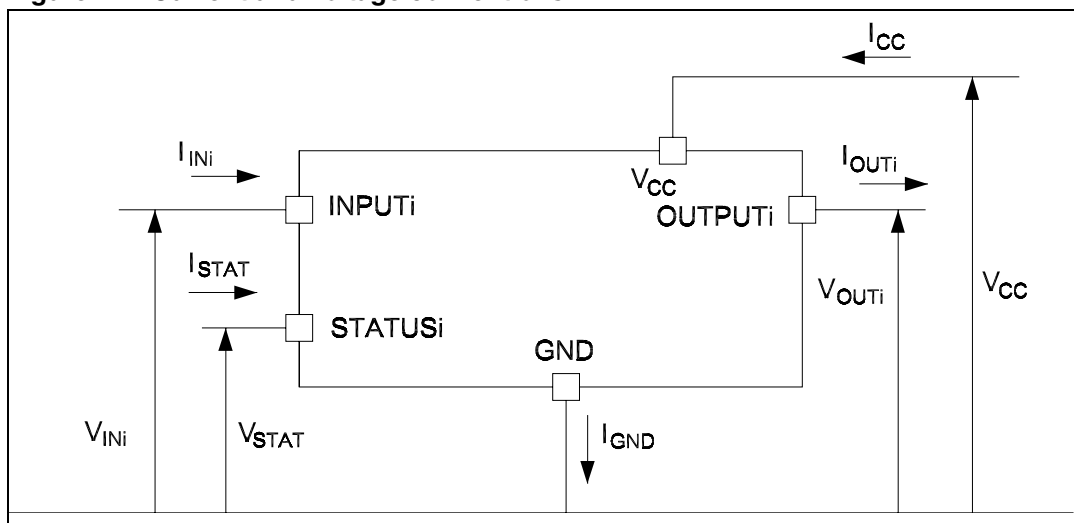
Table 7. Logical input

Symbol	Parameter	Test conditions	Min.	Typ.	Max.	Unit
V_{IL}	Input low level voltage				0.8	V
V_{IH}	Input high level voltage		2.20			V
$V_{I(HYST)}$	Input hysteresis voltage			0.15		V
I_{IN}	Input current	$V_{IN} = 15\text{ V}$			10	μA
		$V_{IN} = 36\text{ V}$			210	

Table 8. Protection and diagnostic

Symbol	Parameter	Test conditions	Min.	Typ.	Max.	Unit
V_{STAT}	Status voltage output low	$I_{STAT} = 1.6\text{ mA}$			0.6	V
V_{USD}	Undervoltage protection		7		10.5	V
V_{USDHYS}	Undervoltage hysteresis		0.4	0.5		V
I_{LIM}	DC short-circuit current	$V_{CC} = 24\text{ V}; R_{LOAD} < 10\text{ m}\Omega$	1.01		2.6	A
I_{PEAK}	Maximum DC output current	Dynamic load		1.6		A
I_{LSTAT}	Status leakage current	$V_{CC} = V_{STAT} = 36\text{ V}$		30		μA
T_{TSD}	Junction shutdown temperature		150	170	190	$^{\circ}\text{C}$
T_R	Junction reset temperature		135			$^{\circ}\text{C}$
T_{HIST}	Junction thermal hysteresis		7	15		$^{\circ}\text{C}$
T_{CSD}	Case shutdown temperature		125	130	135	$^{\circ}\text{C}$
T_{CR}	Case reset temperature		110			$^{\circ}\text{C}$
T_{CHYST}	Case thermal hysteresis		7	15		$^{\circ}\text{C}$
V_{demag}	Output voltage at turn-OFF	$I_{OUT} = 0.5\text{ A}; L_{LOAD} \geq 1\text{ mH}$	V_{CC-41}	V_{CC-45}	V_{CC-52}	V

Figure 4. Current and voltage conventions



5 Truth table

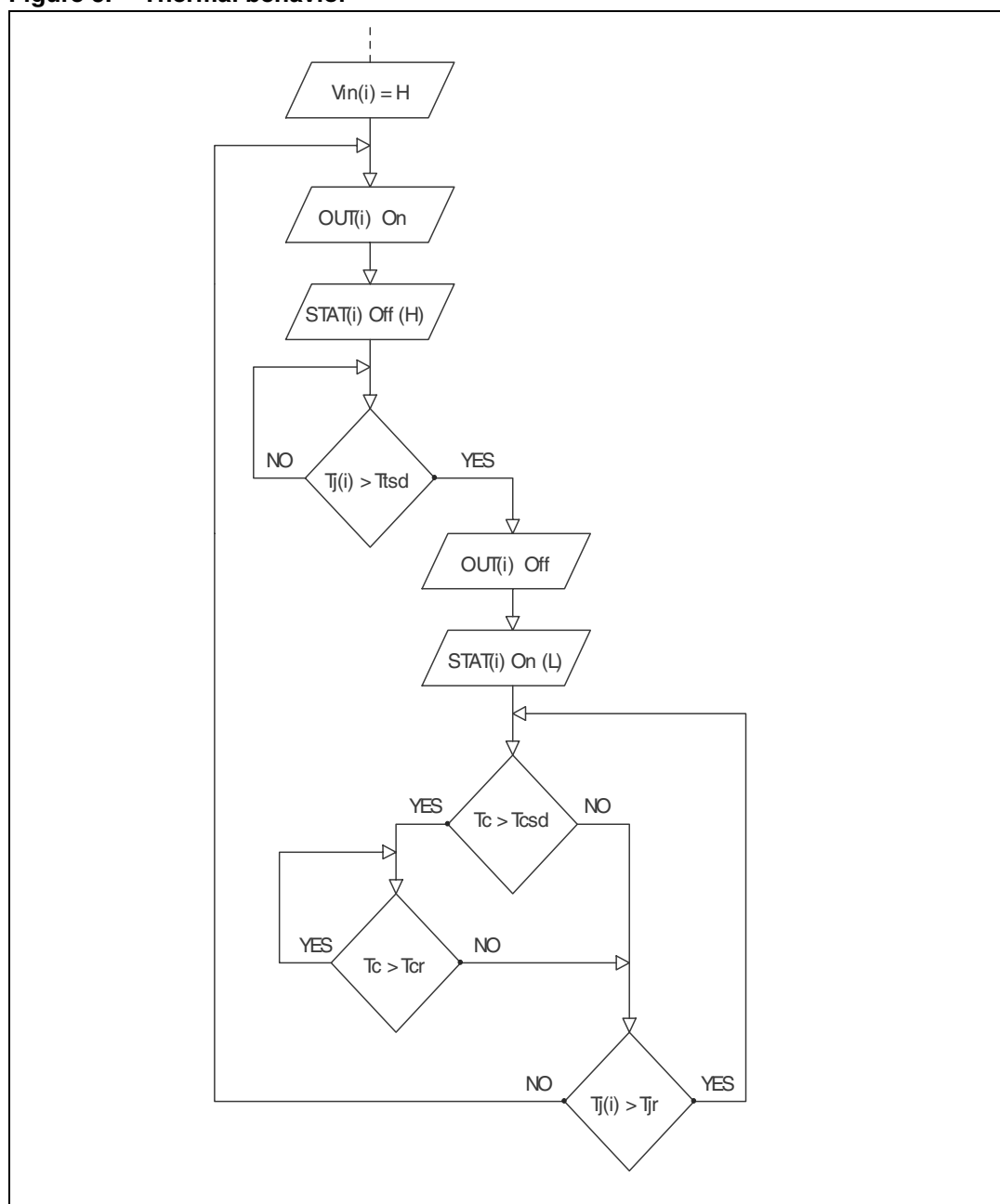
Table 9. Truth table

Conditions	INPUTn	OUTPUTn	STATUSn
Normal operation	L	L	H
	H	H	H
Overtemperature	L	L	H
	H	L	L
Undervoltage	L	L	X
	H	L	X
Shorted load (Current limitation before thermal shutdown)	L	L	H
	H	X	H

6 Thermal management

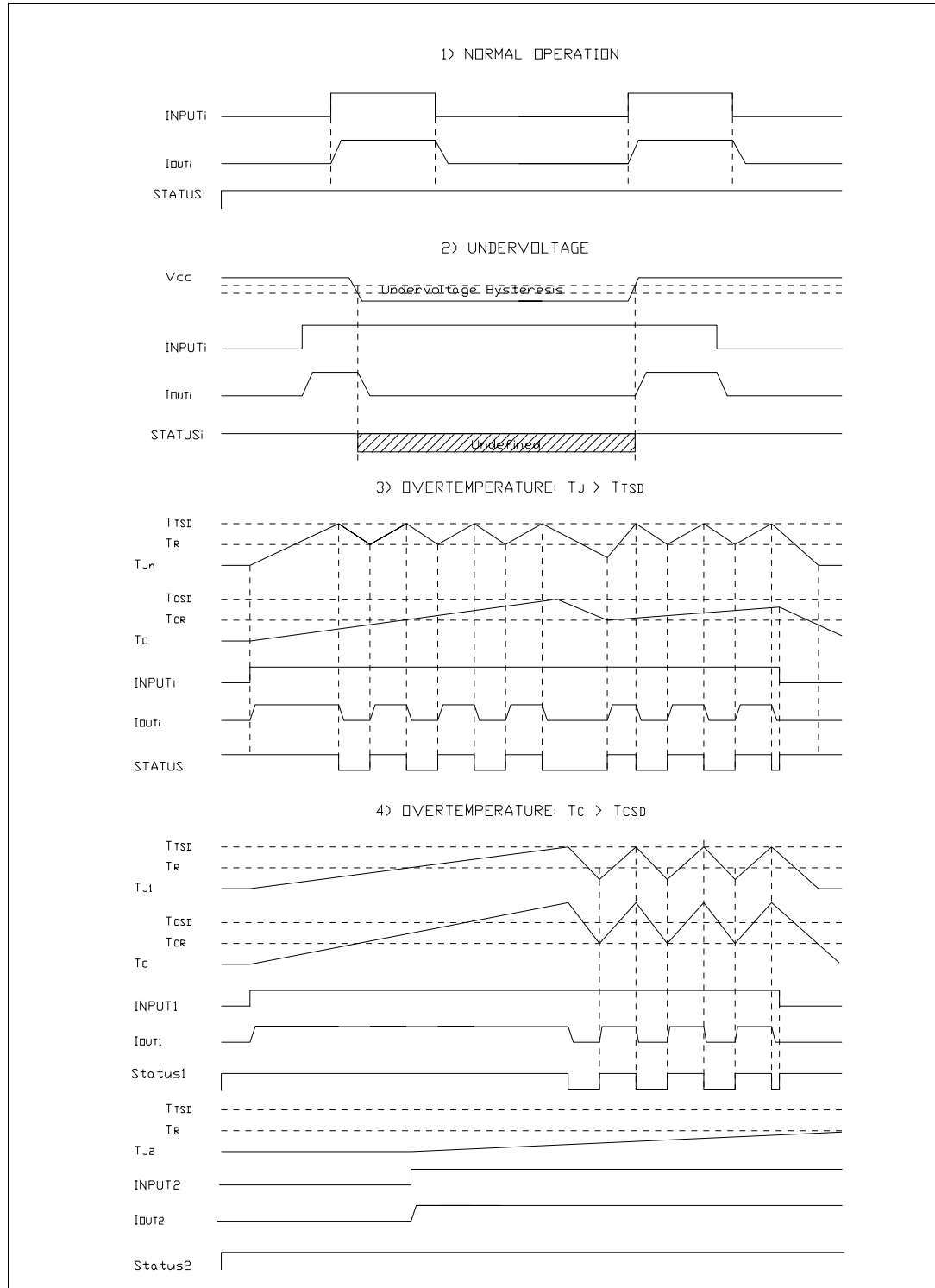
The power dissipation in the IC is the main factor that sets the safe operating condition of the device in the application. Therefore, it must be very carefully considered. Furthermore, the available space on the PCB should be chosen considering the power dissipation. Heatsinking can be achieved using copper on the PCB with proper area and thickness. Two different protections have been implemented to guarantee safety of the device if it overheats due to an overloaded condition or high environment temperature. The following flowchart explains in detail this protection functionality.

Figure 5. Thermal behavior



7 Switching waveforms

Figure 6. Switching waveforms



8 Pin functions

Figure 7. Input circuit

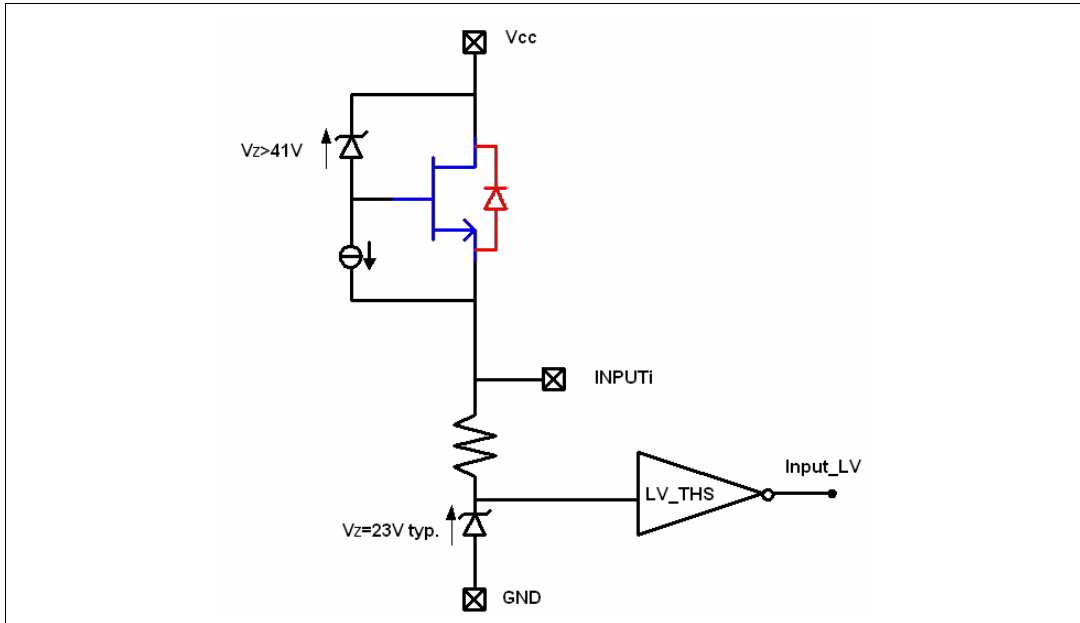


Figure 8. Status circuit

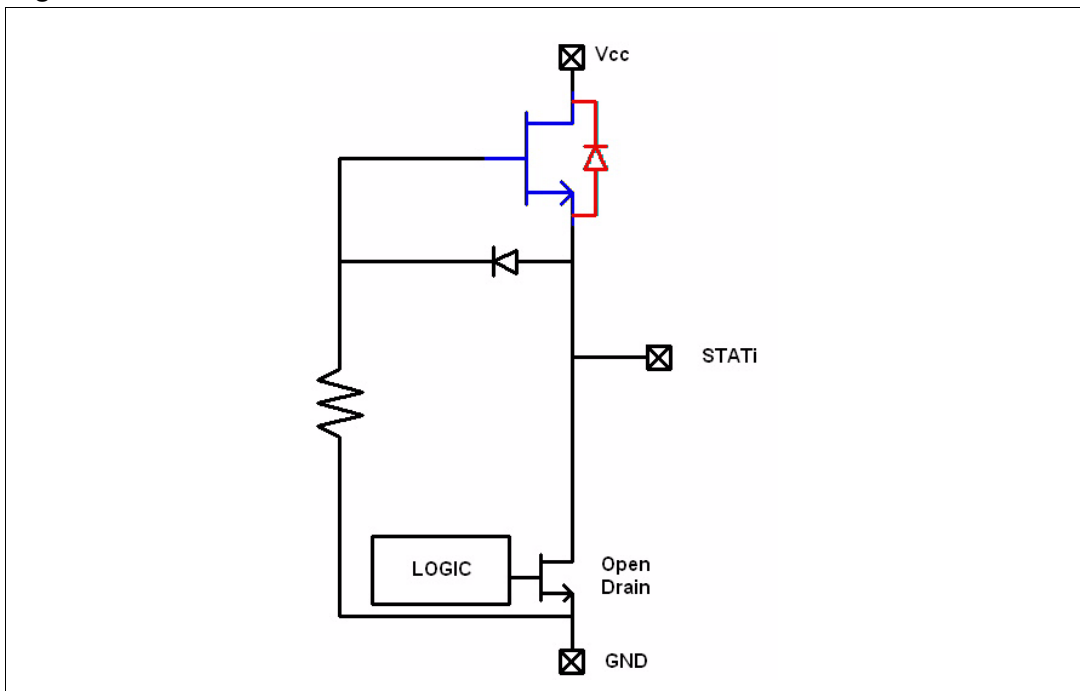
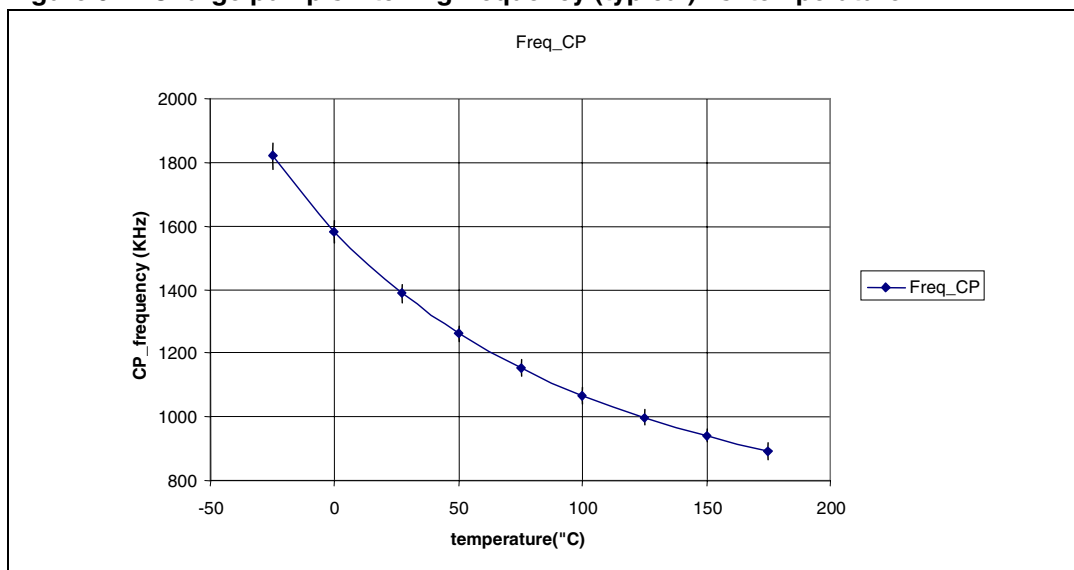


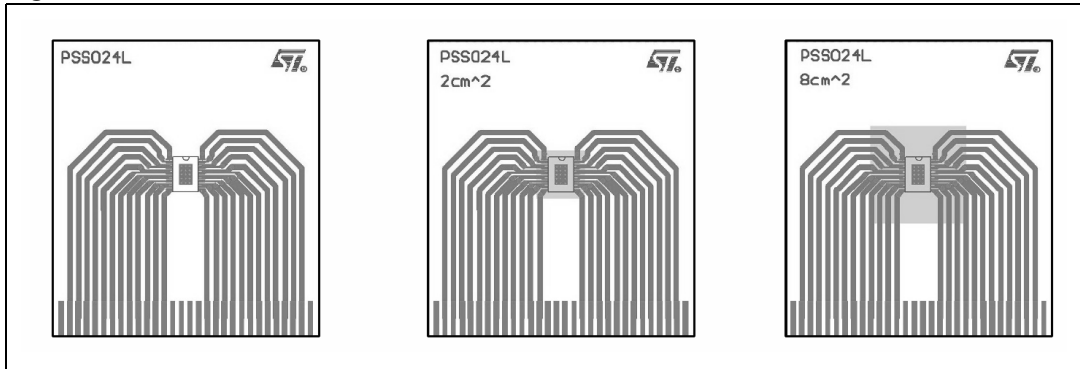
Figure 9. Charge pump switching frequency (typical) vs. temperature



9 Package and PCB thermal data

9.1 VNI4140K-32 thermal data

Figure 10. VNI4140K-32 PCB



Note: Layout condition of R_{th} and Z_{th} measurements (PCB: Double layer, Thermal Vias, FR4 area = 77 mm x 86 mm, PCB thickness=1.6 mm, Cu thickness = 70 mm (front and back side), Copper areas: from minimum pad layout to 8 cm²).

Figure 11. R_{thJA} vs. PCB copper area in open box free air condition (one channel ON)

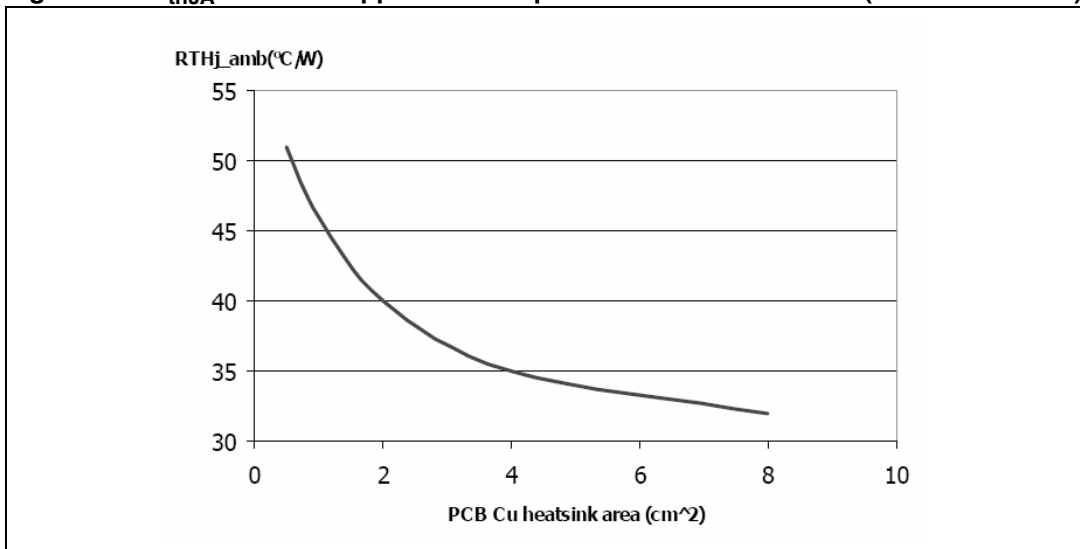
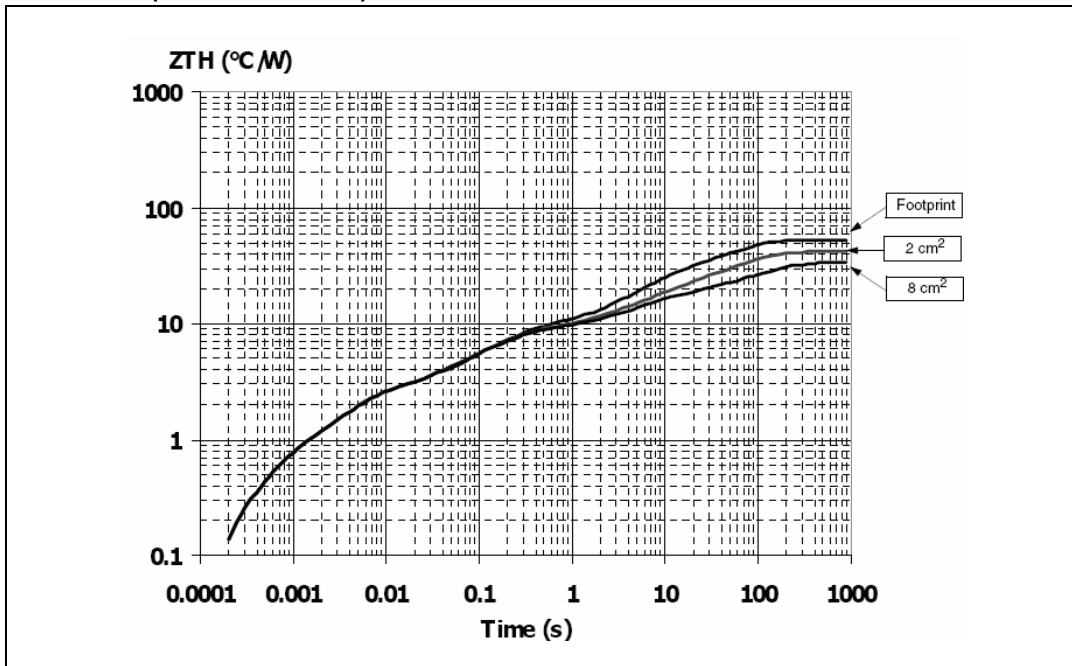


Figure 12. VNI4140K-32 thermal impedance junction ambient single pulse (one channel ON)



10 Reverse polarity protection

This schematic can be used with any type of load.

The following is an indication on how to dimension the R_{GND} resistor.

$$R_{GND} = (-V_{CC}) / (-I_{GND})$$

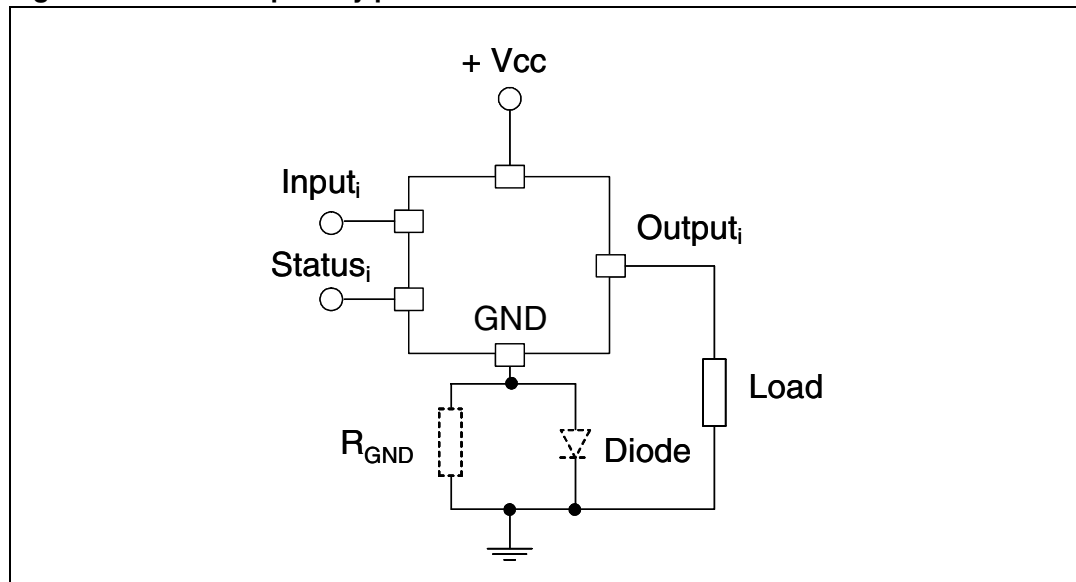
where $-I_{GND}$ is the DC reverse ground pin current and can be found in the absolute maximum rating section of the device datasheet.

Power dissipation in R_{GND} (when $V_{CC} < 0$: during reverse polarity situations) is:

$$PD = (-V_{CC})^2 / R_{GND}$$

Note: In normal conditions (no reverse polarity) due to the diode there is a voltage drop between GND of the device and GND of the system.

Figure 13. Reverse polarity protection



11 Package mechanical data

In order to meet environmental requirements, ST offers these devices in different grades of ECOPACK[®] packages, depending on their level of environmental compliance. ECOPACK[®] specifications, grade definitions and product status are available at: www.st.com. ECOPACK[®] is an ST trademark.

Table 10. PowerSSO-24 mechanical data

Symbol	mm		
	Min.	Typ.	Max.
A	2.15		2.47
A2	2.15		2.40
a1	0		0.075
b	0.33		0.51
c	0.23		0.32
D	10.10		10.50
E	7.4		7.6
e		0.8	
e3		8.8	
G			0.1
G1			0.06
H	10.1		10.5
h			0.4
L	0.55		0.85
N			10deg
X	4.1		4.7
Y	6.5		7.1

Figure 14. PowerSSO-24 package dimensions

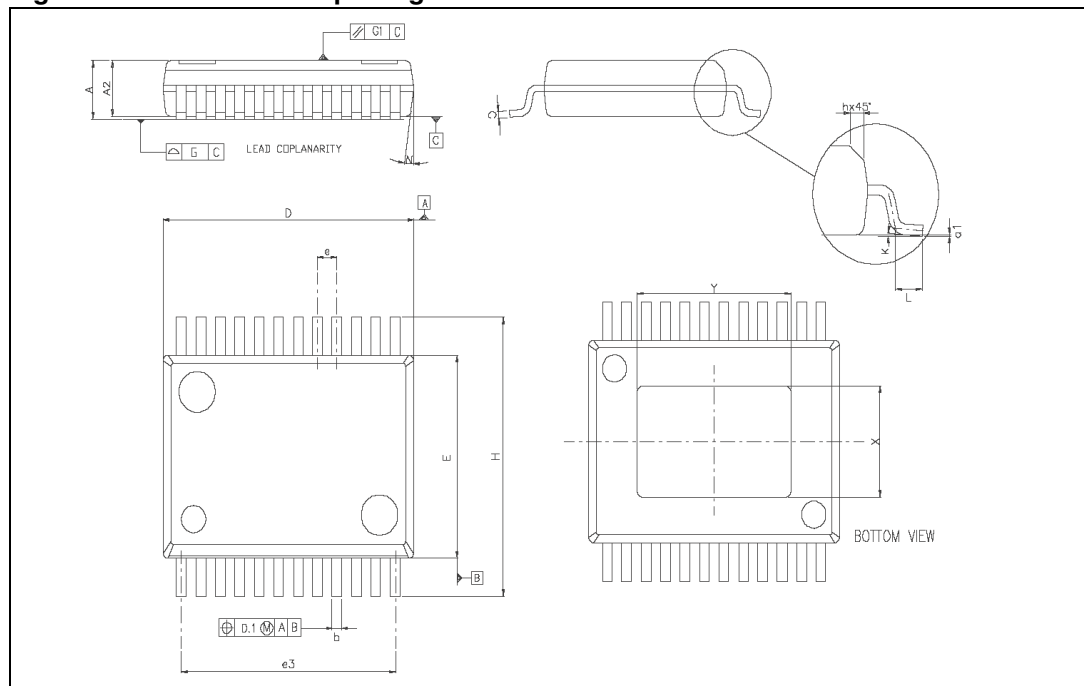


Figure 15. PowerSSO-24 tube shipment (no suffix)

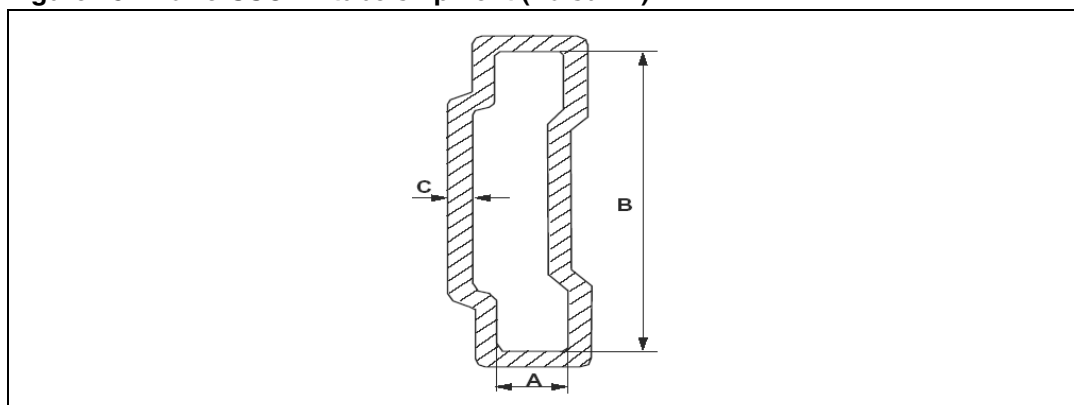


Table 11. PowerSSO-24 tube shipment

Base Q.ty	49
Bulk Q.ty	1225
Tube length (± 0.5)	532
A	3.5
B	13.8
C (± 0.1)	0.6

Note: All dimensions are in mm.

Figure 16. PowerSSO-24 reel shipment (suffix “TR”)

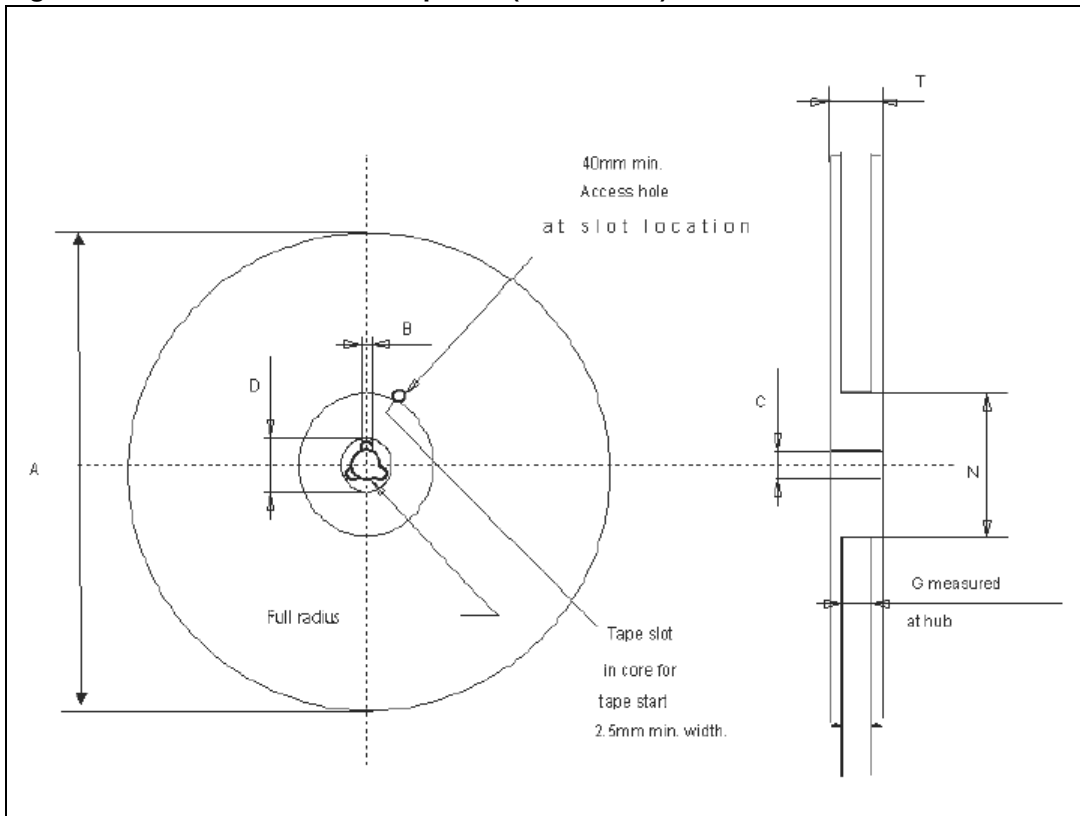


Table 12. PowerSSO-24 reel dimensions

Base Q.ty	1000
Bulk Q.ty	1000
A (max.)	330
B (min.)	1.5
C (± 0.2)	13
F	20.2
G (2 ± 0)	24.4
N (min.)	100
T (max.)	30.4

Figure 17. PowerSSO-24 tape dimensions

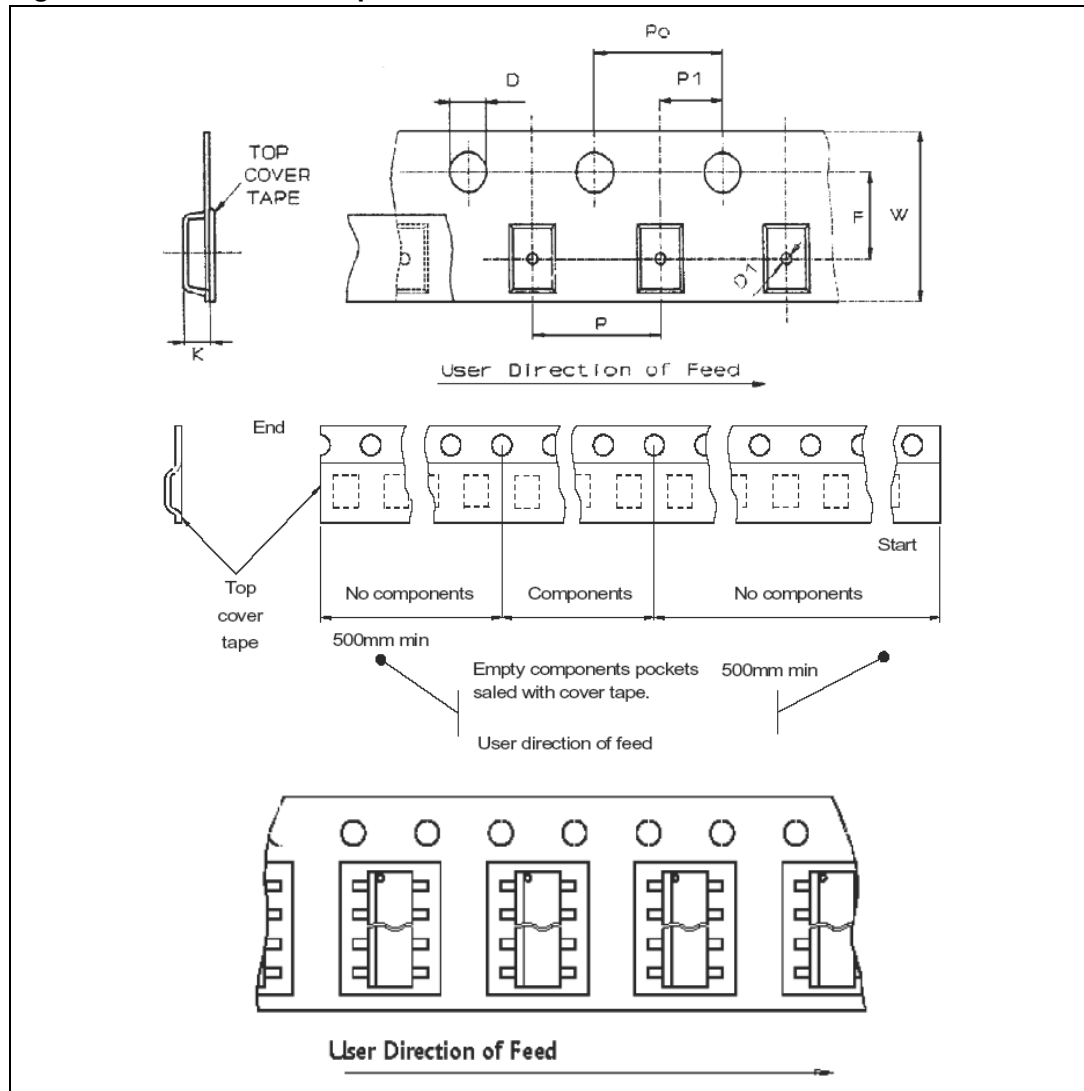
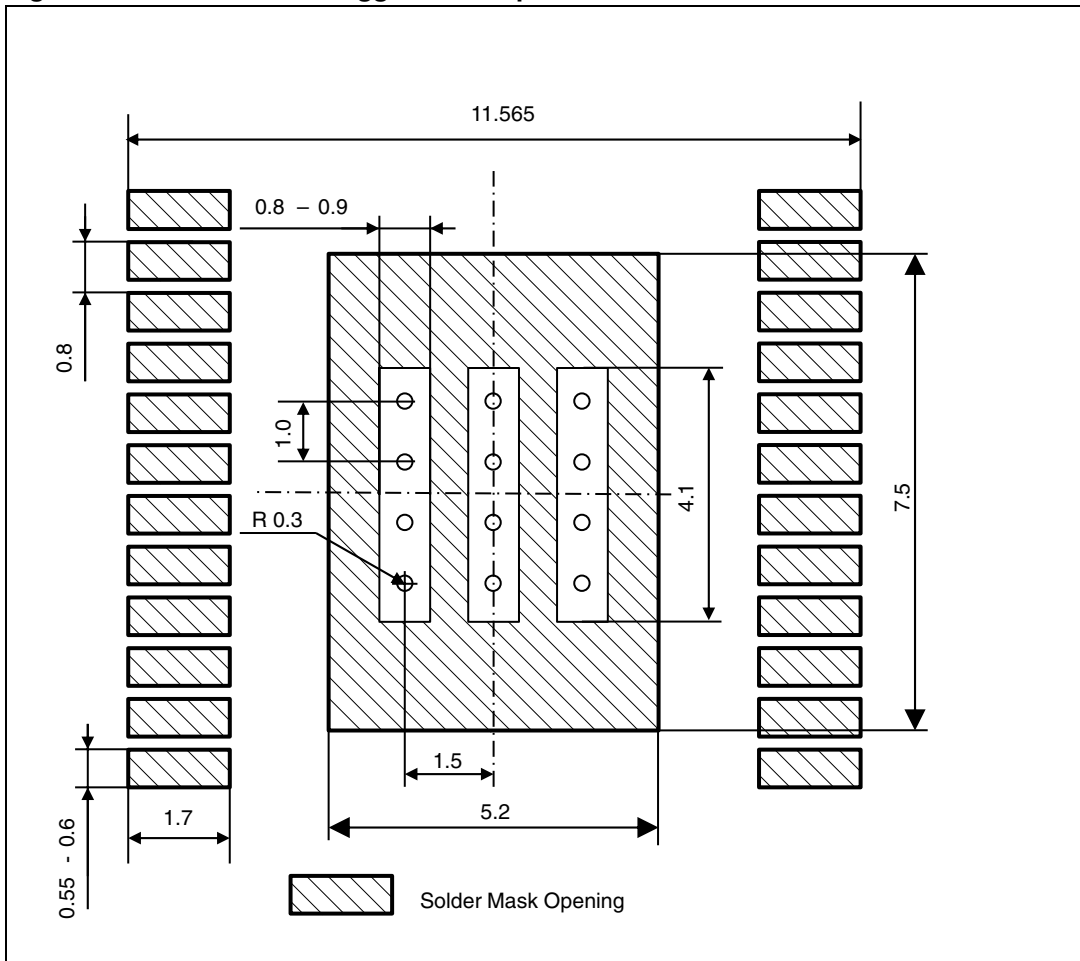


Table 13. PowerSSO-24 tape dimensions

Tape width	W	24
Tape Hole Spacing	P0 (± 0.1)	4
Component Spacing	P	12
Hole Diameter	D (± 0.05)	1.55
Hole Diameter	D1 (min)	1.5
Hole Position	F (± 0.1)	11.5
Compartment Depth	K (max)	2.85
Hole Spacing	P1 (± 0.1)	2

Note: According to the electronic industries association (EIA) standard 481 rev. A, Feb 1986.

Figure 18. VNI4140K-32 suggested footprint



Note: STMicroelectronics is not responsible for any PCB related issues. The footprint shown in the above figure is a suggestion which might not be in line to the customer PCB supplier design rules.

All dimensions are in mm.

12 Ordering information

Table 14. Ordering information

Order codes	Package	Packaging
VNI4140K-32	PowerSSO-24	Tube
VNI4140KTR-32	PowerSSO-24	Tape and reel

13 Revision history

Table 15. Document revision history

Date	Revision	Changes
12-Dec-2011	1	Initial release.
06-Feb-2012	2	Updated I_{lim} minimum value in Table 8: Protection and diagnostic . Inserted new feature: ESD according to IEC 61000-4-2 up to +/-25 KV, in cover page.
07-Mar-2012	3	Suggested footprint inserted. In Table 5 , parameter I_{LGND} has been added.

Please Read Carefully:

Information in this document is provided solely in connection with ST products. STMicroelectronics NV and its subsidiaries ("ST") reserve the right to make changes, corrections, modifications or improvements, to this document, and the products and services described herein at any time, without notice.

All ST products are sold pursuant to ST's terms and conditions of sale.

Purchasers are solely responsible for the choice, selection and use of the ST products and services described herein, and ST assumes no liability whatsoever relating to the choice, selection or use of the ST products and services described herein.

No license, express or implied, by estoppel or otherwise, to any intellectual property rights is granted under this document. If any part of this document refers to any third party products or services it shall not be deemed a license grant by ST for the use of such third party products or services, or any intellectual property contained therein or considered as a warranty covering the use in any manner whatsoever of such third party products or services or any intellectual property contained therein.

UNLESS OTHERWISE SET FORTH IN ST'S TERMS AND CONDITIONS OF SALE ST DISCLAIMS ANY EXPRESS OR IMPLIED WARRANTY WITH RESPECT TO THE USE AND/OR SALE OF ST PRODUCTS INCLUDING WITHOUT LIMITATION IMPLIED WARRANTIES OF MERCHANTABILITY, FITNESS FOR A PARTICULAR PURPOSE (AND THEIR EQUIVALENTS UNDER THE LAWS OF ANY JURISDICTION), OR INFRINGEMENT OF ANY PATENT, COPYRIGHT OR OTHER INTELLECTUAL PROPERTY RIGHT.

UNLESS EXPRESSLY APPROVED IN WRITING BY TWO AUTHORIZED ST REPRESENTATIVES, ST PRODUCTS ARE NOT RECOMMENDED, AUTHORIZED OR WARRANTED FOR USE IN MILITARY, AIR CRAFT, SPACE, LIFE SAVING, OR LIFE SUSTAINING APPLICATIONS, NOR IN PRODUCTS OR SYSTEMS WHERE FAILURE OR MALFUNCTION MAY RESULT IN PERSONAL INJURY, DEATH, OR SEVERE PROPERTY OR ENVIRONMENTAL DAMAGE. ST PRODUCTS WHICH ARE NOT SPECIFIED AS "AUTOMOTIVE GRADE" MAY ONLY BE USED IN AUTOMOTIVE APPLICATIONS AT USER'S OWN RISK.

Resale of ST products with provisions different from the statements and/or technical features set forth in this document shall immediately void any warranty granted by ST for the ST product or service described herein and shall not create or extend in any manner whatsoever, any liability of ST.

ST and the ST logo are trademarks or registered trademarks of ST in various countries.

Information in this document supersedes and replaces all information previously supplied.

The ST logo is a registered trademark of STMicroelectronics. All other names are the property of their respective owners.

© 2012 STMicroelectronics - All rights reserved

STMicroelectronics group of companies

Australia - Belgium - Brazil - Canada - China - Czech Republic - Finland - France - Germany - Hong Kong - India - Israel - Italy - Japan - Malaysia - Malta - Morocco - Philippines - Singapore - Spain - Sweden - Switzerland - United Kingdom - United States of America

www.st.com