



### Features


- ◇ For IF SAW filter
- ◇ High attenuation
- ◇ Single-ended operation
- ◇ Dual In-line Package
- ◇ RoHS compliant (2002/95/EC), Pb-free

### Specifications

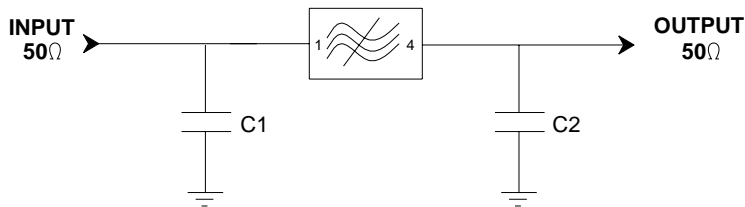
Parameter	Unit	Minimum	Typical	Maximum
Center Frequency	MHz	-	910	-
Insertion Loss	dB	-	31.7	33
1.5 dB Bandwidth	MHz	-	9.33	-
3 dB Bandwidth	MHz	9.45	9.55	-
35 dB Bandwidth	MHz	-	11.06	11.1
40 dB Bandwidth	MHz	-	11.17	-
Passband Variation( $f_0 \pm 4.5\text{MHz}$ )	dB	-	0.8	1.5
Group Delay Variation( $f_0 \pm 4.5\text{MHz}$ )	nsec	-	160	200
Absolute Delay	usec	-	1.9	-
Ultimate Rejection( $f_0 \pm 6\text{MHz}$ )	dB	40	42	-
Material Temperature coefficient	KHz/°C	0.9		
Substrate Material	-	Qz		
Ambient Temperature	°C	25		
DC Voltage	V	0		
Input Power	dBm	-	-	10
ESD Class	-	1C		
Package Size	DIP2212 (22.2x12.8x4.7mm3)			

#### Notes:

1. All specifications are based on the test circuit shown;
2. In production, all specifications are measured by Agilent Network analyzer and full 2 port calibration at room temperature;
3. Electrical margin has been built into the design to account for the variations due to temperature drift and manufacturing tolerances;
4. This is the optimum impedance in order to achieve the performance show.

	<b>SIPAT Co., Ltd.</b> ( CETC No.26 Research Institute ) #14 Nanping Huayuan Road, Chongqing, China, 400060	Part Number	LBS91001	
		Rev. Date	2011-04-27	
		Ver.	1.0	Page

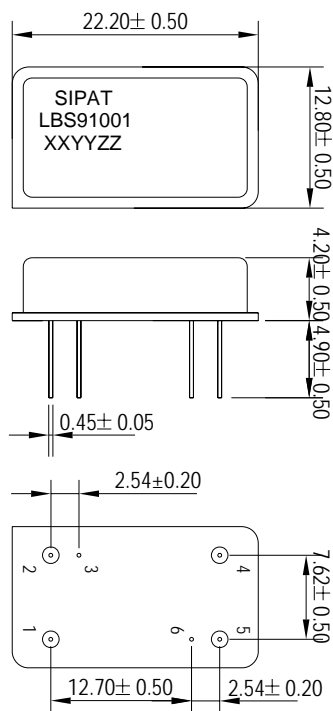
### Matching Configuration



**C1=4.7pF C2=3.9pF**  
**Source/Load Impedance=50 ohm**

Notes - Component values may change depending on board layout.

### Package Dimension



#### Pad Configuration:

Input 1  
 Output 4  
 Ground 2,3,5,6

#### Marking Configuration:

- 1) SIPAT: Manufacturer Name
- 2) LBS91001: Part Number
- 3) XXYY: Date(Year/month)
- 4) ZZ: Identified Code

Package: DIP2212

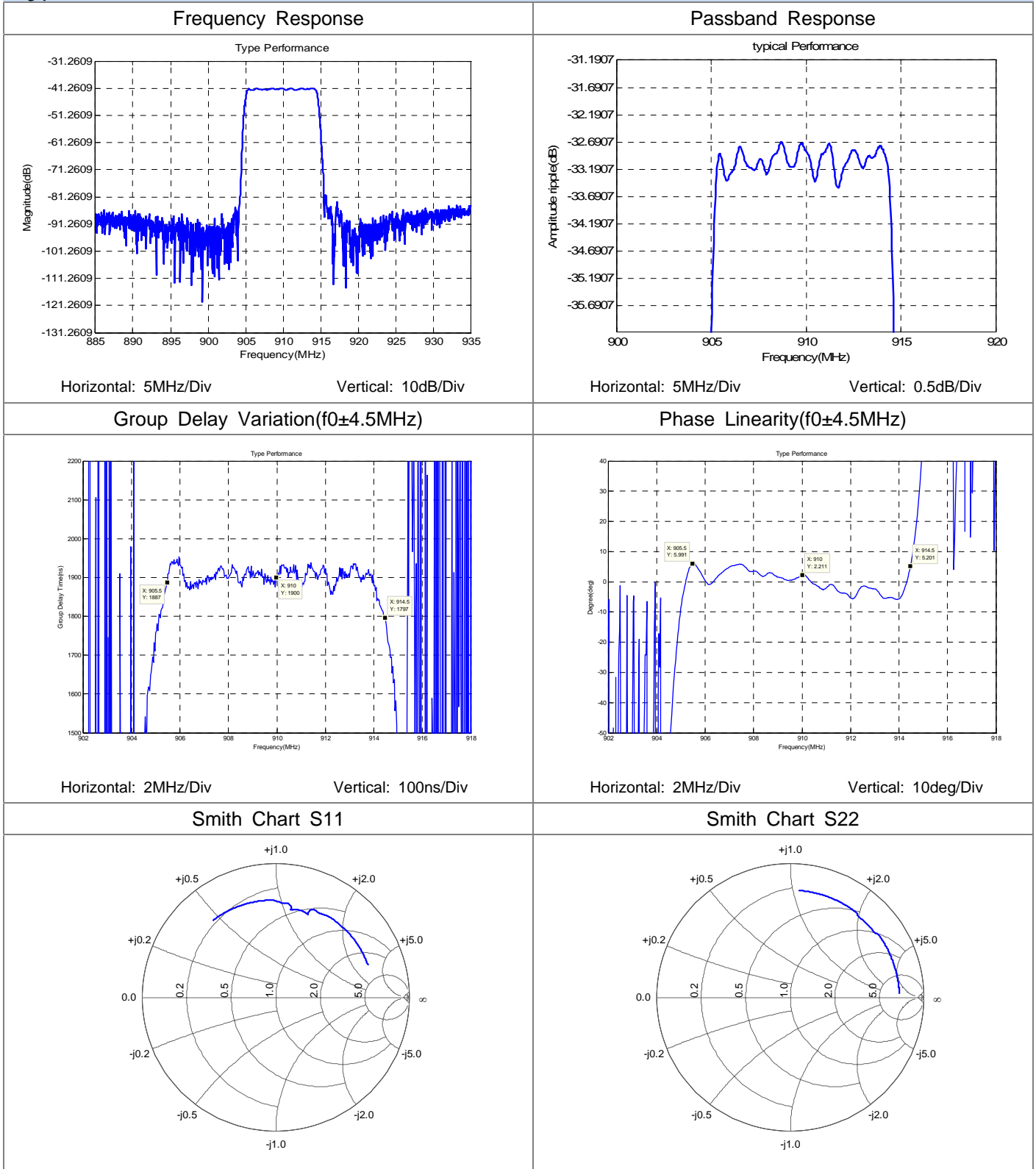
Unit: mm



**SIPAT Co., Ltd.**  
( CETC No.26 Research Institute )  
#14 Nanping Huayuan Road,  
Chongqing, China, 400060

Part Number	LBS91001	
Rev. Date	2011-04-27	
Ver.	1.0	Page 2/3

Typical Performance



**SIPAT Co., Ltd.**  
( CETC No.26 Research Institute )  
#14 Nanping Huayuan Road,  
Chongqing, China, 400060

Part Number	LBS91001	
Rev. Date	2011-04-27	
Ver.	1.0	Page 3/3