

10BASE-T LAN MAGNETICS

Filtered Modules

LM00506

- Compatible with a variety of 10Base-T transceiver chipsets
- Through hole and surface mount packaging
- Conforms to IEEE 802.3 standards
- Operating temperature 0° to 70° C
- Minimum interwinding breakdown voltage of 1500 Vrms

ELECTRICAL SPECIFICATIONS AT 25° C

Part Number	Configuration		Insertion Loss dB max 1MHz to 10MHz	Attenuation dB min @30MHz		Return Loss dB min 1MHz to 10MHz	Common to Common Mode Rejection dB min			Crosstalk dB min 1MHz to 10MHz
	TX	RX		TX	RX		30MHz	50MHz	100MHz	
S556-5999-A4	RFTC	RFTC	-1.0	-28	-16	-15	-40	-30	-30	-35
S556-5999-32	FTC	FTC	-1.0	-28	-16	-15	-45	-45	-35	-35
A556-2006-02*	FTC	FTC	-1.0	-27	-17.5	-20	-35	-30	-25	-45
S556-5999-02	FTC	FTC	-1.0	-27	-17.5	-20	-35	-30	-25	-45
A556-2006-03	FTC	FTC	-1.0	-27	-17.5	-20	-35	-30	-25	-45
0556-2006-14	FTC	FTC	-1.0	-28	-17.5	-20	-40	-40	-30	-35
0556-3873-03	FTC	FTC	-1.0	-27	-20	-15	-40	-35	-30	-35
A556-2006-00	FTC	FT	-1.0	-27	-17.5	-20	-35	-30	-25	-45
A556-2006-DE	FT	FT	-1.0	-27	-17.5	-20	---	---	---	-45
S556-5999-DE	FT	FT	-1.0	-27	-17	-15	---	---	---	-35

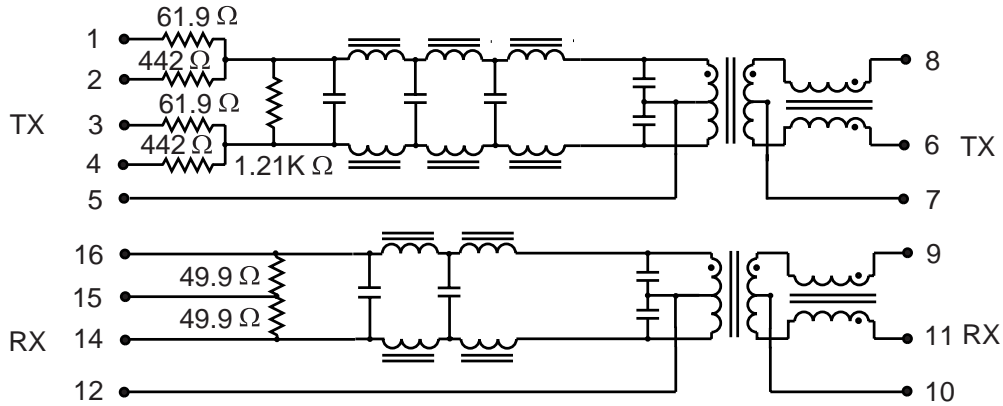
*Operating temperature range -40° to +85° C

Configuration Guide	
T	Transformer
C	Choke
F	Low Pass Filters
R	Predistortion Resistors

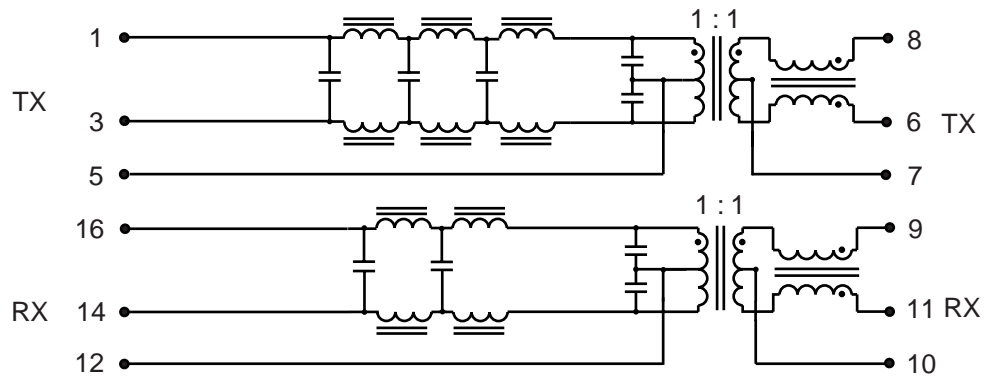
10BASE-T LAN MAGNETICS Filtered Modules

SCHEMATICS

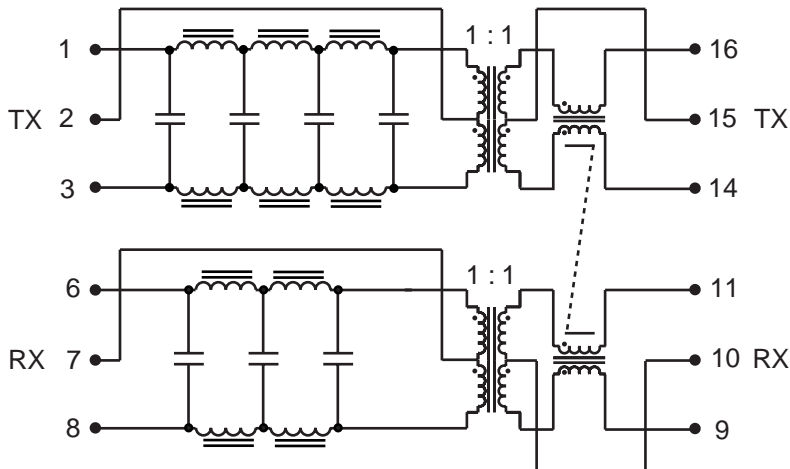
S556-5999-A4



S556-5999-32



**A556-2006-02
S556-5999-02**



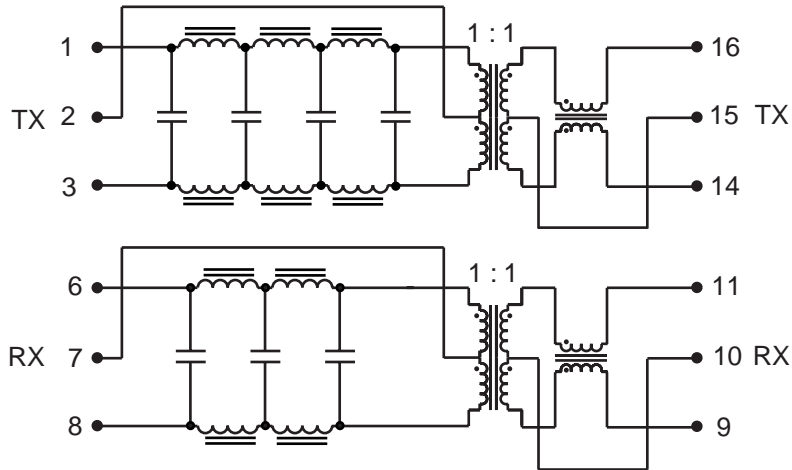
10BASE-T LAN MAGNETICS

Filtered Modules

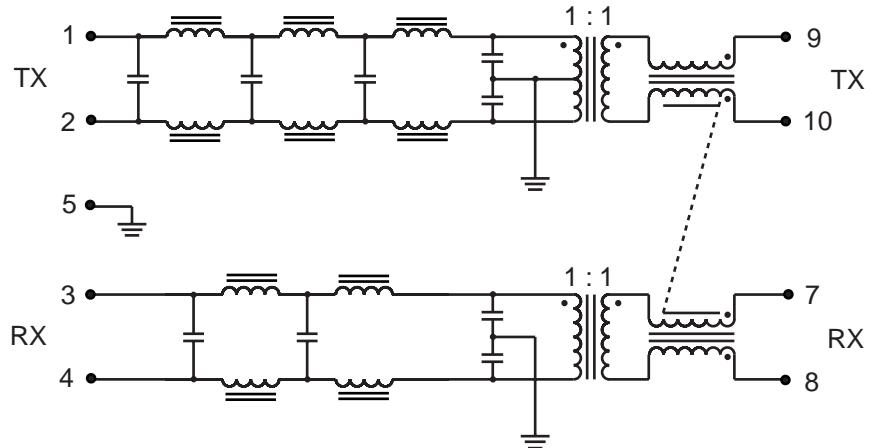
LM00506

SCHEMATICS

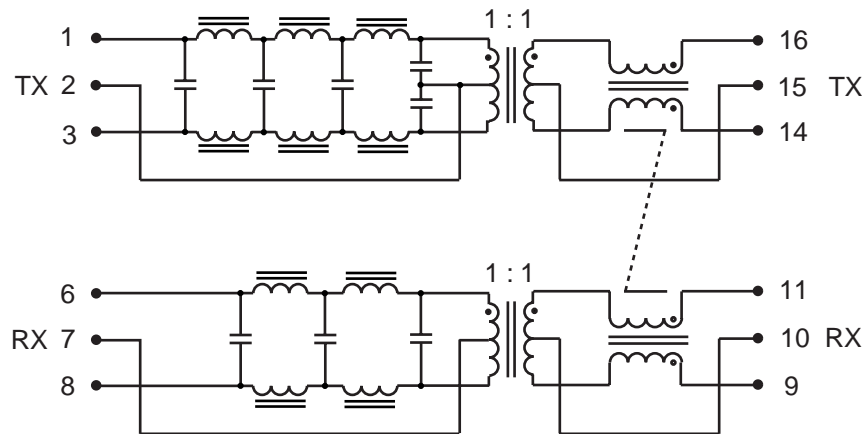
A556-2006-03



0556-2006-14



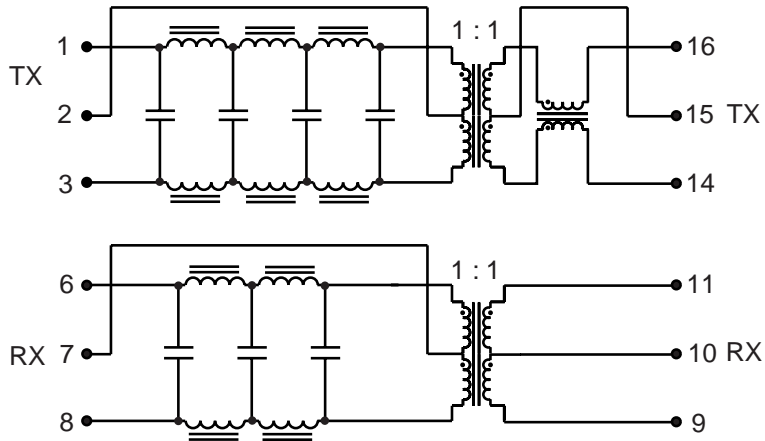
0556-3873-03



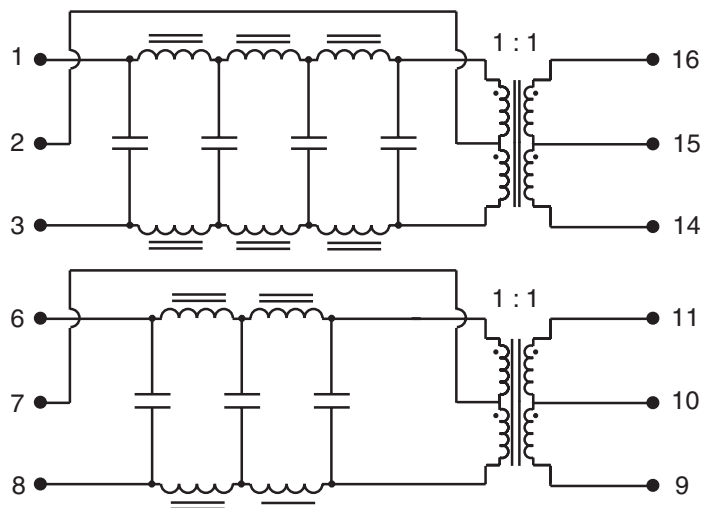
10BASE-T LAN MAGNETICS Filtered Modules

SCHEMATICS

A556-2006-00



A556-2006-DE
S556-5999-DE



10BASE-T LAN MAGNETICS

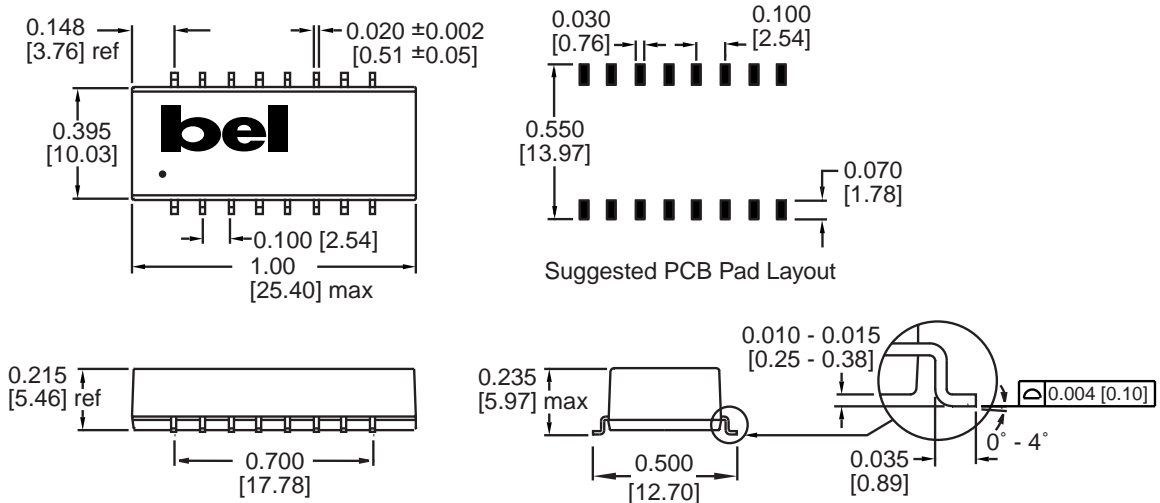
Filtered Modules



LM00506

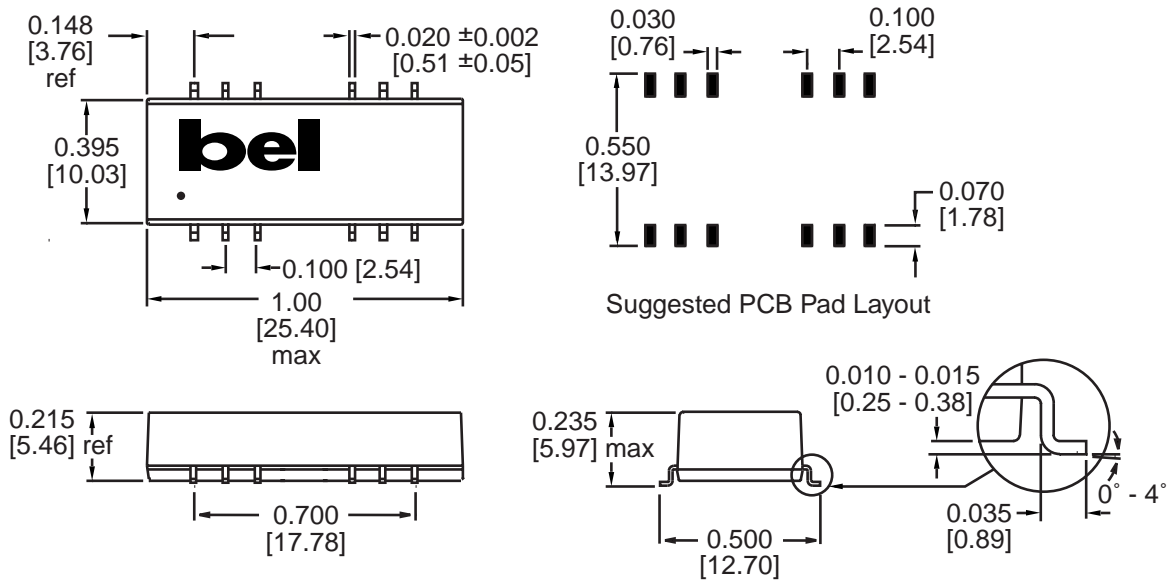
MECHANICALS

S556-5999-32
S556-5999-A4



Dimensions are in inches [millimeters].
Standard dimension tolerance is ±0.005 [0.13] unless otherwise noted.

S556-5999-02
S556-5999-DE

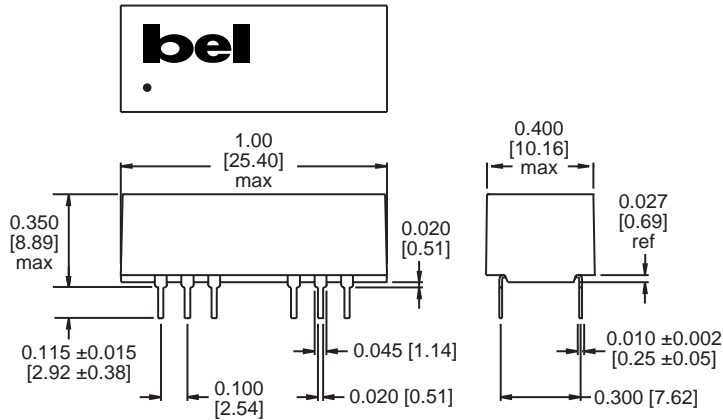


Dimensions are in inches [millimeters].
Standard dimension tolerance is ±0.005 [0.13] unless otherwise noted.

LM00506

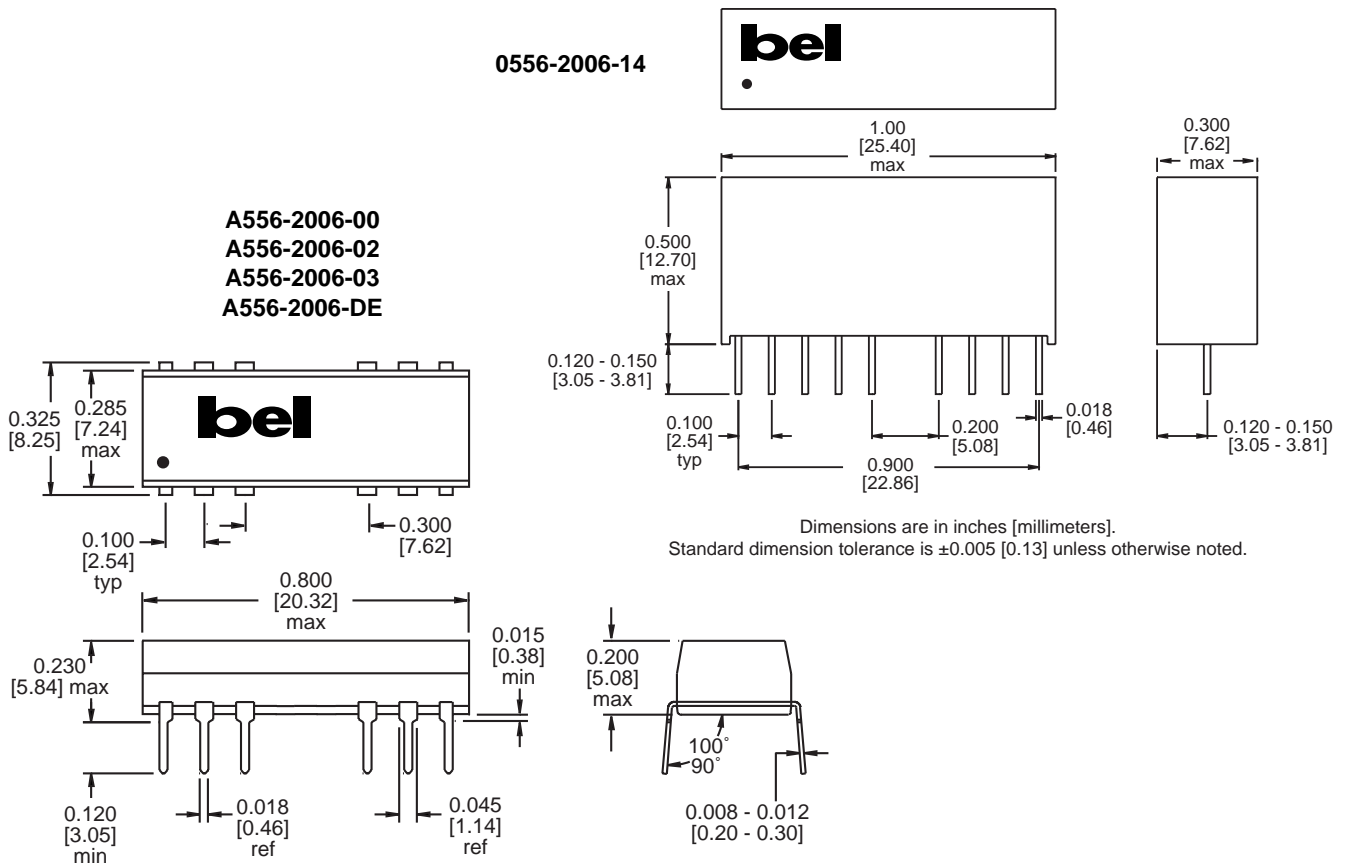
MECHANICALS

0556-3873-03



Dimensions are in inches [millimeters].
Standard dimension tolerance is ±0.005 [0.13] unless otherwise noted.

0556-2006-14



Dimensions are in inches [millimeters].
Standard dimension tolerance is ±0.005 [0.13] unless otherwise noted.

Dimensions are in inches [millimeters].
Standard dimension tolerance is ±0.005 [0.13] unless otherwise noted.

©2002 Bel Fuse Inc. Specifications subject to change without notice. 09.02

CORPORATE

Bel Fuse Inc.
206 Van Vorst Street
Jersey City, NJ 07302
Tel 201-432-0463
Fax 201-432-9542
www.belfuse.com

FAR EAST

Bel Fuse Ltd.
8F / 8 Luk Hop Street
San Po Kong
Kowloon, Hong Kong
Tel 852-2328-5515
Fax 852-2352-3706
www.belfuse.com

EUROPE

Bel Fuse Europe Ltd.
Preston Technology Management Centre
Marsh Lane, Suite G7, Preston
Lancashire, PR1 8UD, U.K.
Tel 44-1772-556601
Fax 44-1772-888366
www.belfuse.com