

A

B

C

D

E

F

G

H

A

B

C

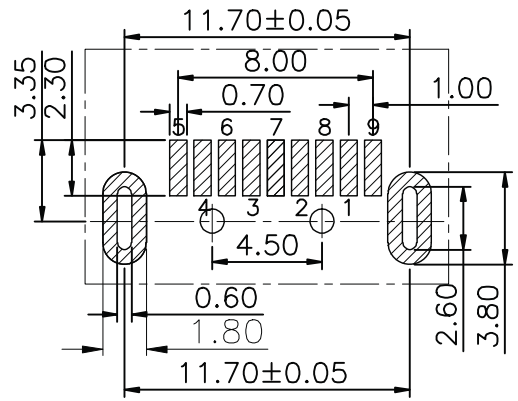
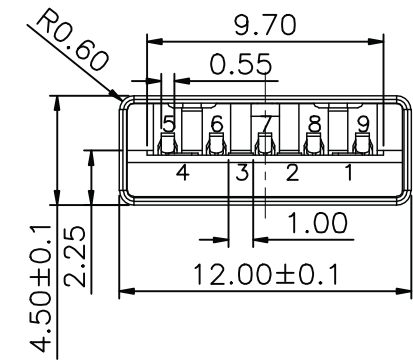
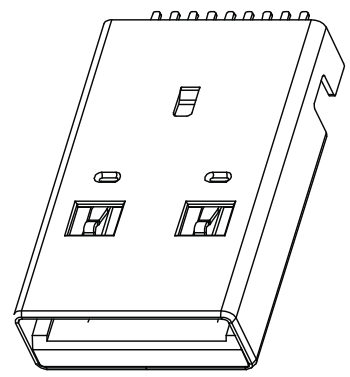
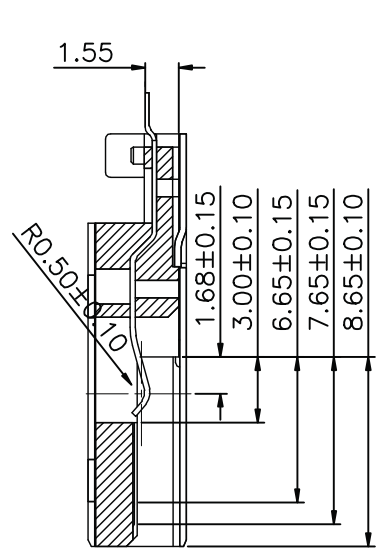
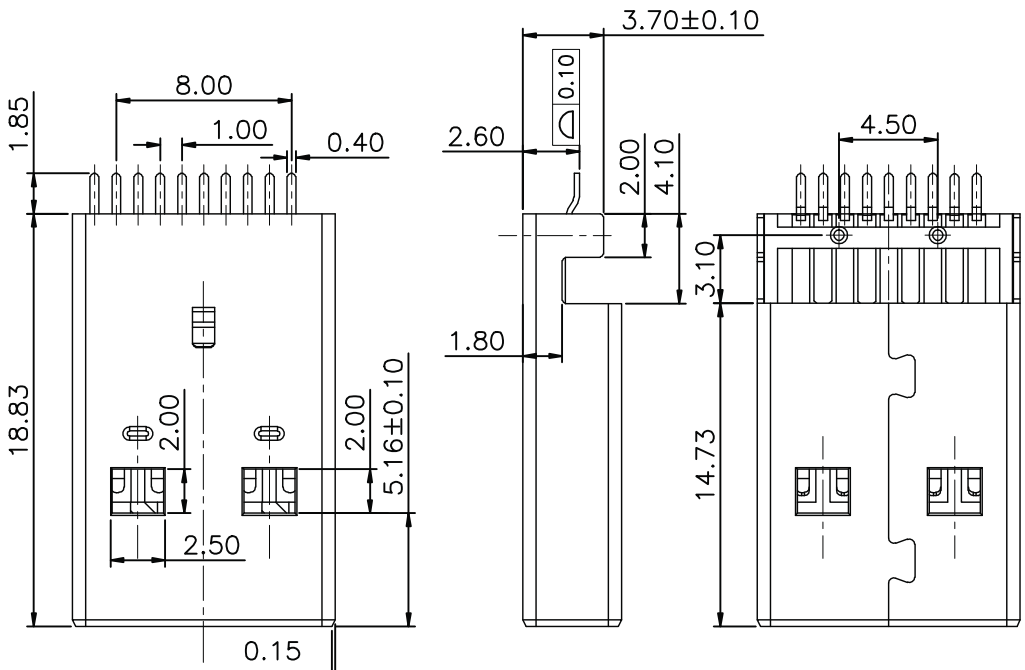
D

E

F

G

H



**Material:**

- Housing: LCP UL94V-0
- Shell: SPCC T=0.3MM
- Contact: Brass T=0.2MM

**Electrical:**

- Voltage Current Rating: 1.5A 30V DC
- Insulation Resistance: 1,000MΩ Min.
- Contact Resistance Terminal: 30MΩ Max.
- Withstanding Voltage: 500V AC
- Mating Force: 3.57kg Max.
- Unmating Force: 1.02kg Min.

Unit: MM±0.25MM



Scale	1:1						Name	Item No.
TOLERANCE							Drawn	10.19.11
X.X	±0.40						Approved	Chappell
X.XX	±0.25							
X.XXX	±0.15							
Angle	±3°							
		Modification		Date	Name			

<b>A-USB/3-A-LP/SMT-R</b>	
Title USB Connector 3.0 - SMT Low Profile, A Male Type, 15µ", for PCB Mount	
Drawing No.	
Replace	rev00
Sheet	