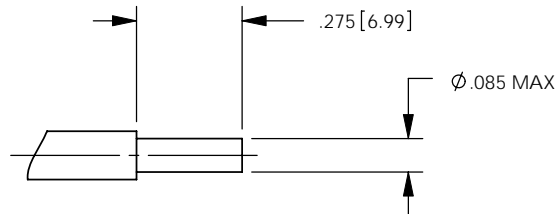
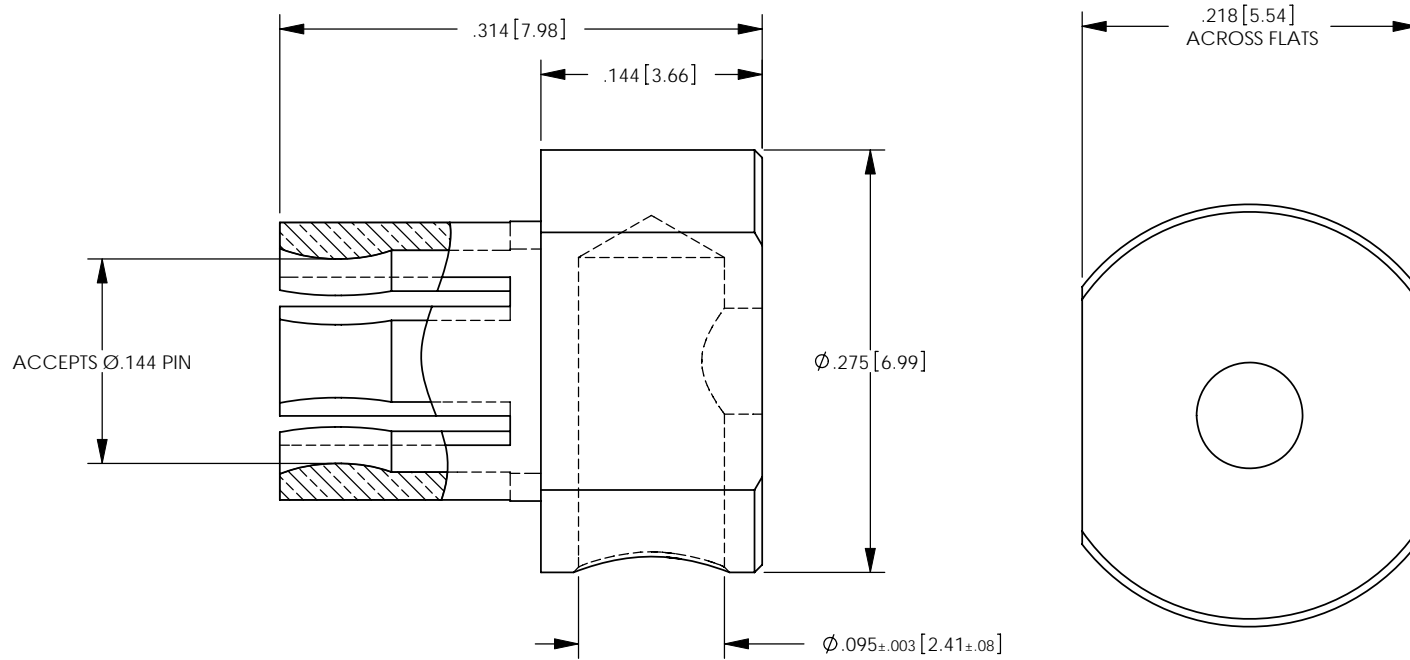


NOTES: UNLESS OTHERWISE SPECIFIED

1. FOR GENERAL SERIES SPECIFICATIONS, SEE SD74-0000.
2. MATERIAL SPECIFICATIONS: B05 PER UNS 53800.
3. FINISH SPECIFICATIONS:
.000030 MIN. GOLD PER ASTM B488 OVER .000050 MIN. NICKEL PER AMS QQ-N-290.
4. ELECTRICAL SPECIFICATIONS:
CURRENT RATING: 20 AMPS MAX
5. SUGGESTED FOR USE WITH 14 GA WIRE OR EQUIVALENT.
6. REFER TO CAP10-01 FOR CABLE ASSEMBLY PROCEDURE.

REV	DESCRIPTION	BY DATE	APPD
E	REVISED PER ER11418	DAO 01/05/08	DAO



CATALOG P/N: 01438

PER ASME Y14.5M-1994 UNLESS OTHERWISE SPECIFIED: DIMENSIONS ARE IN INCHES [MM] TOLERANCES: DECIMAL: XX [X.X] ± .01 [0.3] XXX [X.XX] ± .005 [0.13] .XXXX [X.XXX] ± .XXXX ANGLES: ± 2° SCALE: 8:1				Winchester Electronics Corporation 62 Barnes Industrial Road North Wallingford, Connecticut 06492	
CUSTOMER SALES DRAWING			THIRD ANGLE	POWERSNAP RIGHT ANGLE SOLDER MOUNT 20 AMP, 14 AWG	
DRAWN	DATE	APPROVED	DATE	A	SD01348
KJT	11/08/02	RAB	11/08/02		
APPROVED	DATE	APPROVED	DATE	SHT	OF
JEM	11/08/02	JED	11/08/02	1	1
				REV	E