



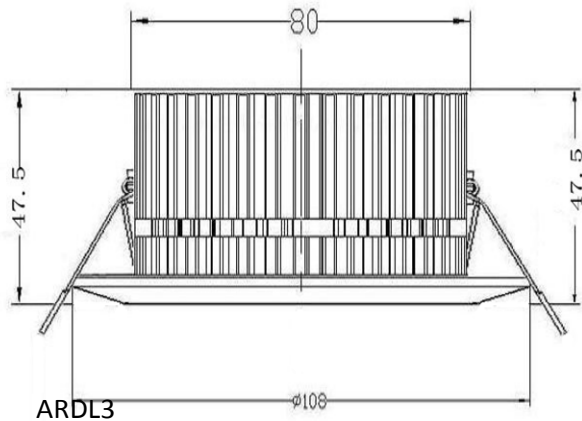
# ARDL Series LED Downlights

## Datasheet

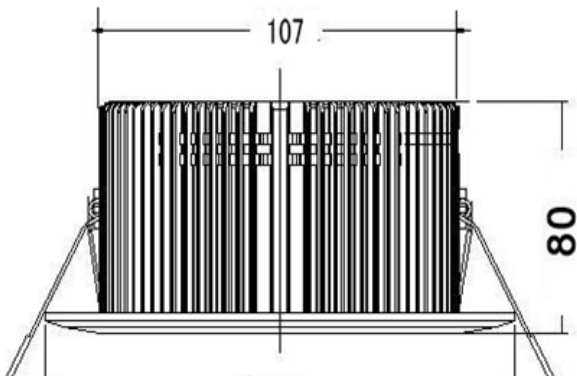
### Ordering Information

Part Number	Description	Unit
PLSO-ARDL3-WW	ARDL3, 20LEDs, 3 inch, 2800-3200K, 100-277VAC, 120 degree	PCs
PLSO-ARDL3-NW	ARDL3, 20LEDs, 3 inch, 4250-4750K, 100-277VAC, 120 degree	PCs
PLSO-ARDL3-CW	ARDL3, 20LEDs, 3 inch, 5500-6500K, 100-277VAC, 120 degree	PCs
PLSO-ARDL4-WW	ARDL4, 40LEDs, 4 inch, 2800-3200K, 100-277VAC, 120 degree	PCs
PLSO-ARDL4-NW	ARDL4, 40LEDs, 4 inch, 4250-4750K, 100-277VAC, 120 degree	PCs
PLSO-ARDL4-CW	ARDL4, 40LEDs, 4 inch, 5500-6500K, 100-277VAC, 120 degree	PCs
PLSO-ARDL6-WW	ARDL6, 60LEDs, 6 inch, 2800-3200K, 100-277VAC, 120 degree	PCs
PLSO-ARDL6-NW	ARDL6, 60LEDs, 6 inch, 4250-4750K, 100-277VAC, 120 degree	PCs
PLSO-ARDL6-CW	ARDL6, 60LEDs, 6 inch, 5500-6500K, 100-277VAC, 120 degree	PCs

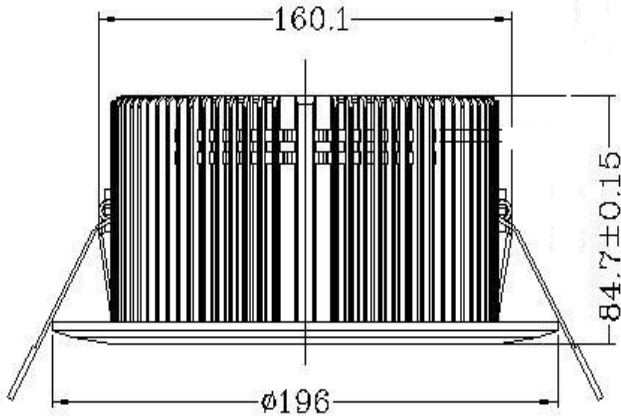
### Physical Dimensions (Unit: mm)



ARDL4



ARDL6



## Technical Specifications

### Physical Specifications

	ARDL3	ARDL4	ARDL6
Dimension	D108*H47.5 mm	D145*H80 mm	D196*H85 mm
Gross Weight	400g	800g	1100g
Housing	Die Cast and Extrusion Aluminum		
Finish Color	Black and White		
Lens Type	Frosted		
Work Environment	Indoor use (applicable for dry environments)		

### Electrical Specifications

	ARDL3	ARDL4	ARDL6
Input Voltage	100-277VAC		
Lighting Source	SMD LED Array		
LED Quantity	20	40	60
Power Consumption	7.5W	14W	18W
Power Factor	0.95		
Operation Temperature	-10-50°C (14-122°F)		

### Optical Specifications

	ARDL3	ARDL4	ARDL6
Luminous Flux (lm)	560	1050	1450
Luminous Efficacy (lm/W)	75		
Color Temperature (K)	Warm White: 2800-3200 Natural White: 4250-4750 Cool White: 5500-6500		
CRI	>75		
Beam Angle	120°		

P-tec Corporation

2405 Commerce Circle, Alamosa CO 8110

www.p-tec.net

E-mail: sales@p-tec.net

Phone: 719.589.3122

Fax: 719.589.3592

V050212MS