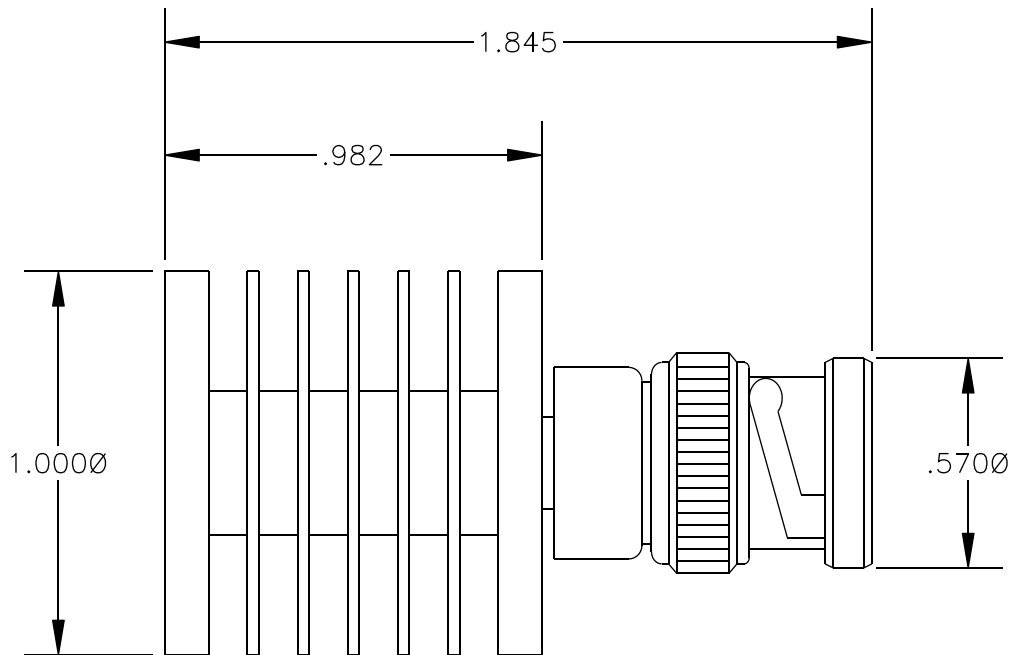


MATERIALS

CONNECTOR	BRASS NICKEL PLATED
CONTACT	GOLD PLATED
INSULATOR	PTFE
HEAT SINK	ANODIZED ALUMINUM



SPECIFICATIONS

FREQUENCY RANGE: DC TO 4 GHz
 POWER HANDLING CAPABILITY: 10 WATTS
 MAXIMUM VSWR: 1.25



PASTERNAK ENTERPRISES, INC.

P.O BOX 16759, IRVINE, CA 92623
 PHONE (949) 261-1920 FAX (949) 261-7451

WEB ADDRESS: www.pasternack.com
 E-MAIL ADDRESS: sales@pasternack.com

COAXIAL & FIBER OPTICS

DWG TITLE

PE6034

DES.

BNC MALE HIGH POWER TERMINATION
 FREQUENCY RANGE: DC TO 4 GHz

REV. A

FSCM NO. 53919

CAD FILE

123108

SCALE N/A

SIZE A

127

NOTES:

1. UNLESS OTHERWISE SPECIFIED ALL DIMENSIONS ARE NOMINAL.
2. ALL SPECIFICATIONS ARE SUBJECT TO CHANGE WITHOUT NOTICE AT ANY TIME.
3. DIMENSIONS ARE IN INCHES.