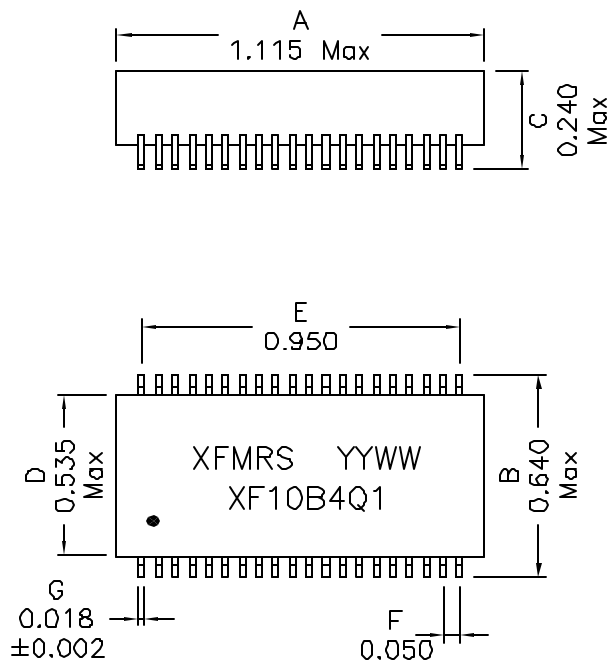
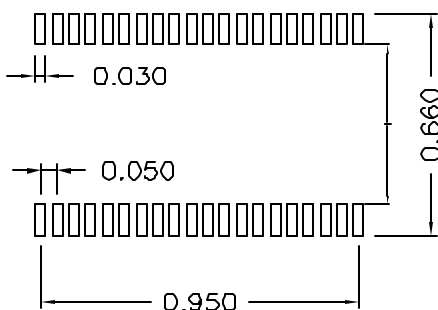
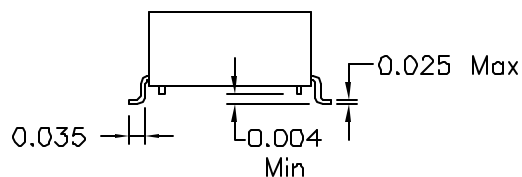


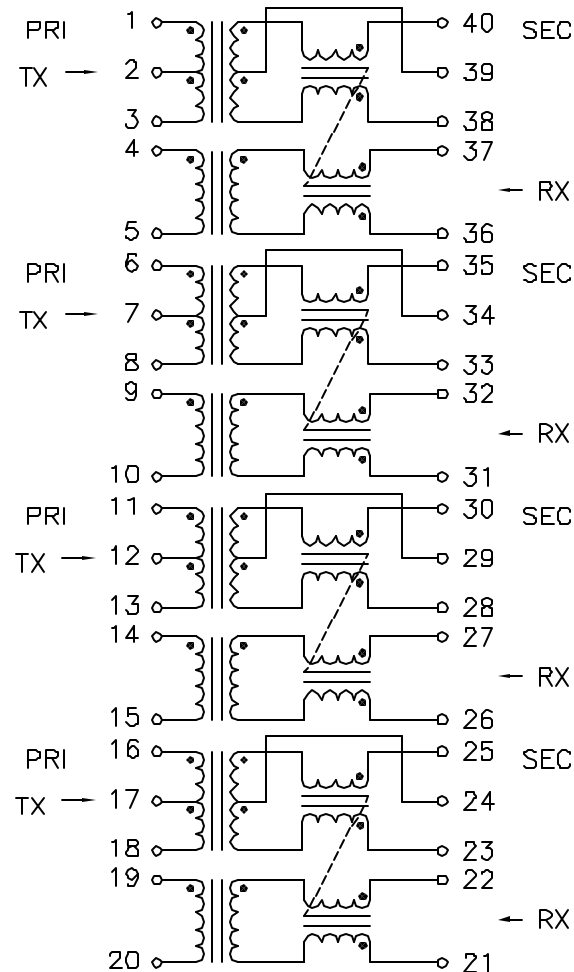
1. Mechanical Dimensions:



2. Schematic:



SUGGESTED PAD LAYOUT



3. Electrical Specifications: @25°C

PRI OCL: TX 35µH Min @100KHz 0.1V
 RX 200µH Min @100KHz 0.1V
 PRI Q: 8 Min @10KHz 50mV
 PRI LL: TX 0.15µH Max @100KHz 0.1V, Short SEC
 RX 0.40µH Max @100KHz 0.1V, Short SEC
 Cw/w: 15pF Max @100KHz 0.1V (PRI/SEC)
 PRI DCR: TX 0.300 Ohms Max
 RX 0.500 Ohms Max
 Turns Ratio: PRI/SEC TX 1CT:2.5CT±3% RX 1:1±3%
 Isolation Voltage: 1500Vrms

Notes:

- Solderability: Leads shall meet MIL-STD-202G, Method 208H for solderability.
- Flammability: UL94V-0
- ASTM oxygen index: > 28%
- Insulation System: Class F 155°C. UL file E151556
- Operating Temperature Range: All listed parameters are to be within tolerance from -40°C to +85°C
- Storage Temperature Range: -55°C to +125°C
- Aqueous wash compatible
- SMD Lead Coplanarity: ±0.004*(0.102mm)
- Electrical and mechanical specifications 100% tested
- RoHS Compliant Component

DOC REV: A/4

XFMRS Inc www.XFMRS.com		Title: Quad Port 10BASE-TX Module	
UNLESS OTHERWISE SPECIFIED TOLERANCES: .xxx ±0.010 Dimensions in INCH	P/N: XF10B4Q1	REV. A	
	DWN.	Mei Chen	Oct-26-10
SHEET 1 OF 1	CHK.	YK Liao	Oct-26-10
	APP.	Joe Huff	Oct-26-10