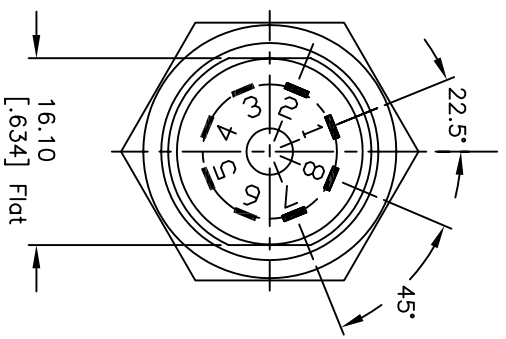
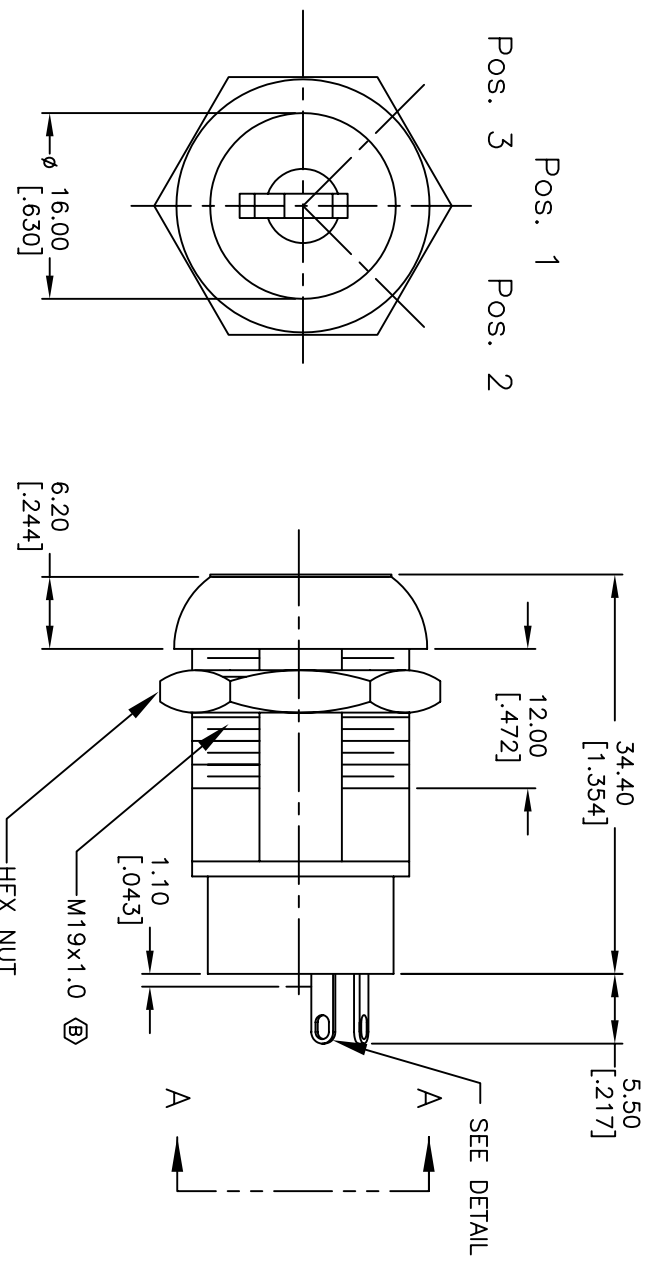


TERMINAL DETAIL
SCALE 2X

RECOMMENDED PANEL LAYOUT



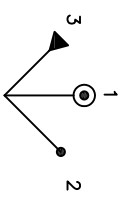
B	19502	CHANGED THREAD DESCRIPTION	12/08/10	BGL
A	11566	RELEASED FOR PRODUCTION	7/12/01	CJB
REV.	ECN No.	DESCRIPTION	DATE	CHKD

TITLE		K0129M-A126	
SCALE	DATE	DR	DWG
1:1	7/12/01	CB	K200317
REV		B	



THE INFORMATION CONTAINED IN THIS DOCUMENT IS PROPRIETARY TO E-SWITCH AND IS NOT TO BE COPIED OR TRANSFERRED

SWITCH FUNCTION		
CONNECTED TERMINAL #	POS. 1	POS. 2
POS. 1	POS. 2	POS. 3
8-1,4-5	1-2,5-6	8-7,3-4



CIRCUIT: DP (45° INDEXING)
CONTACT CONFIGURATION

- LEGEND**
- = Detent Positions (45°)
 - ⊙ = Key pull possible in these positions
 - ▲ = MOMENTARY POS.

- NOTES:**
1. ALL DIMENSIONS IN MM [INCH]
 2. GENERAL TOLERANCE: X.X=±0.4
X.XX=±0.25
 3. TERM. NOS. FOR REF. ONLY
 4. CONTACT RATING: 4A @125VAC/28VDC, 2A @250VAC
 5. DIELECTRIC STRENGTH: 1KV RMS min. at sea level
 6. ELECTRICAL LIFE: 10,000 make-and-break cycles at full load.
 7. MATERIALS:

CONTACTS: Silver Plated CU (Q Contact material)
 TERMINALS: Silver Plated Cu (Q Contact material)
 MOUNTING NUT: Nickel Plated zinc alloy
 CONTACT SPRING: Piano Wire
 KEYS: (QTY. 2) Brass with code no. A126
 LOCK: Bright Ni plated zinc alloy with NI facing
 TUMBLER Mechanism: 4-disc tumbler cylinder.