

CMKTVS5-4

Low Capacitance, Quad TVS/Diode Array in SOT-363 package



Central Semiconductor's CMKTVS5-4 is a 4-line TVS/Diode array packaged in an ULTRAMini™ surface mount case. With its low capacitance, this device was designed to protect four high speed data or transmission lines from over-voltage transients and ESD damage.

Features:

- 15kV ESD protection
- Low capacitance
- Low clamping voltage
- Protects four I/O lines
- Protects supply voltage rail

Applications:

- USB 2.0 Power and Data Line Protection
- HDMI Interface
- Digital Video Interface (DVI)
- Ethernet Ports

Benefits:

- Space saving package
- Reduces component count
- High device density

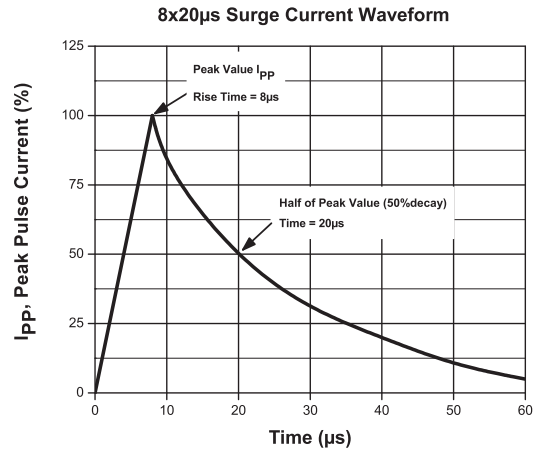
Literature



New
SMD
SELECTION
GUIDE

Order your selection guide today.
Visit: web.centrasemi.com/search/sample.php

Typical Electrical Characteristics



Samples



To order samples of this device visit:
www.centrasemi.com/info/CMKTVS5-4

Weblink

Use QR reader for direct link to product web page,



or use: www.centrasemi.com/info/CMKTVS5-4

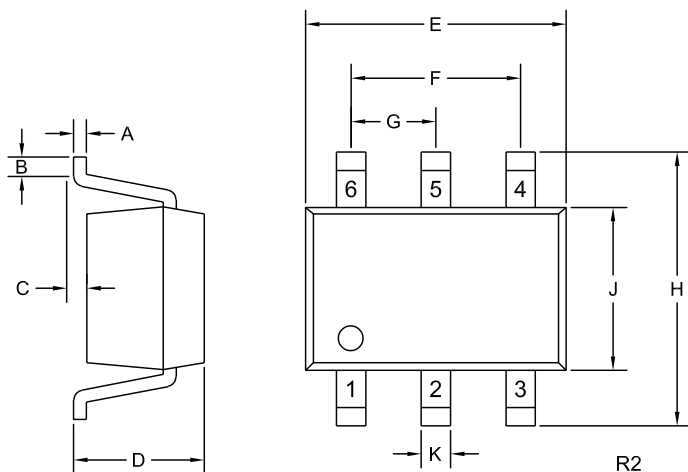
Maximum Ratings (T _A = 25°C)			Electrical Characteristics Per Diode: (T _A = 25°C)								
V _I	V _{ESD} *	T _J , T _{stg}	Reverse Stand-off Voltage V _{RWM}	Reverse Breakdown Voltage pin 5 to pin 2 V _Z @ I _Z		Reverse Leakage Current pin 5 to pin 2 I _R @ V _R		Clamping Voltage 8x20µs I/O to pin 2 V _C @ I _{PP}		Off State Junction Capacitance I/O to GND (V _R =0, f=1.0MHz) C _J	Off State Junction Capacitance I/O to I/O (V _R =0, f=1.0MHz) C _J
MAX (V)	MAX (kV)	MAX (°C)	MAX (V)	MIN (V)	(mA)	MAX (µA)	(V)	MAX (V)	(A)	MAX (pF)	MAX (pF)
5.5	15	-55 to +150	5.0	6.0	1.0	3.0	5.0	14 23	1.0 5.0	3.0	1.5

*IEC61000-4-2, Air

CMKTVS5-4

Low Capacitance, Quad TVS/Diode Array in SOT-363 package

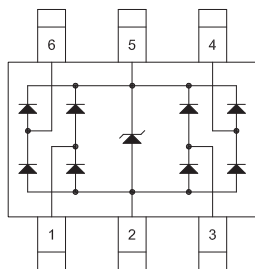
Mechanical Drawing - SOT-363



SYMBOL	DIMENSIONS			
	INCHES		MILLIMETERS	
	MIN	MAX	MIN	MAX
A	0.004	0.010	0.10	0.25
B	0.005	-	0.12	-
C	0.000	0.004	0.00	0.10
D	0.031	0.043	0.80	1.10
E	0.071	0.087	1.80	2.20
F	0.051		1.30	
G	0.026		0.65	
H	0.075	0.091	1.90	2.30
J	0.043	0.055	1.10	1.40
K	0.006	0.012	0.15	0.30

SOT-363 (REV: R2)

Pinout



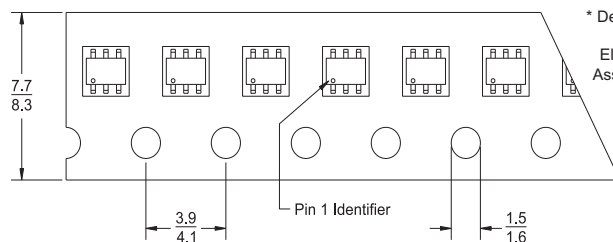
LEAD CODE:

- 1) I/O
- 2) Ground
- 3) I/O
- 4) I/O
- 5) Supply Voltage
- 6) I/O

MARKING CODE: CVT4

Tape Dimensions and Orientation (Dimensions in mm)

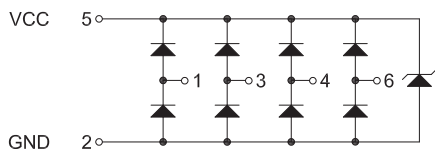
Tape Width: 8mm



* Devices are taped in accordance with Electronic Industries Association Standard EIA-481-1-A

← Direction of Unreeling

Schematic



Packaging Base / Ordering Information

Reel Size	Quantity	Central Item No.
7"	3,000	CMKTVS5-4 TR

Reel Packing Information

Reel Size	Reels per Box (Maximum)	Parts per Box (Maximum)	Box Dimensions		Shipping Weight (Max.)	
			INCH	CM	LB	KG
7"	9	27,000	9x9x5	23x23x13	3	2
	18	54,000	9x9x9	23x23x23	6	3
	40	120,000	21x9x9	53x23x23	13	6
	108	324,000	27x9x17	69x23x43	34	16

Sample devices available upon request. To order samples of this device visit: www.centrasemi.com/info/CMKTVS5-4



Innovative Discrete Semiconductors

For further information contact:
Sales at Central Semiconductor Corp.
(631) 435-1110 or visit:
www.centrasemi.com