

4	CONTACTS(TYPE2)	3	COPPER ALLOY/ PLATED GOLD IN CONTACT AREA ; TIN-LEAD ON TAILS
3	CONTACTS(TYPE1)	3	COPPER ALLOY/ PLATED IN CONTACT AREA ; TIN-LEAD ON TAILS
2	HOUSING	1	THERMOPLASTIC, GLASS FILLED, 130°C UL 94V-0 RATED
1	SHELL	1	STEEL/TIN-LEAD PLATED OVER COPPER

REV.	DESCRIPTION	DRWN/DATE	CHECK/DATE	APPROVED/DATE
A	NEW RELEASE PER ECR-01110	PETER 03/20/01'	~	MAX 04/02/01'
B	REV PER SZEGR-01805 $\Delta$ X2	FLYING 11/14/01'	TOM 11/15/01'	MAX 11/15/01'
C	REV PER SZEGR-02351 $\Delta$ X7	FLYING 08/19/02'	~	TOM 08/19/02'

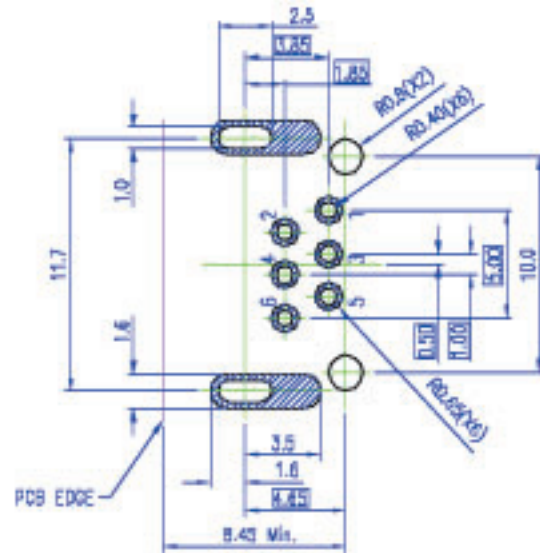
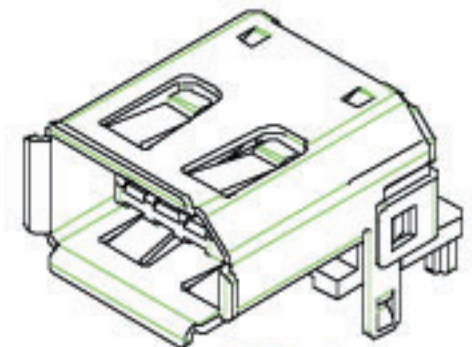
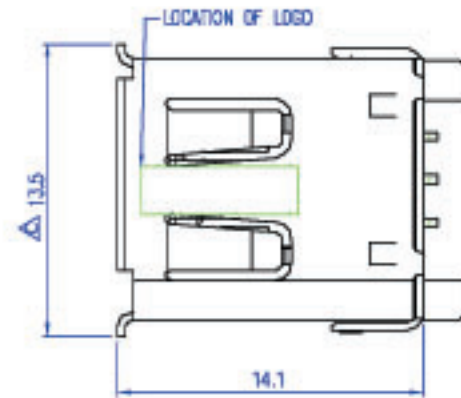


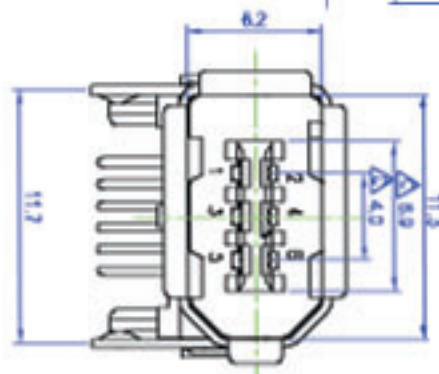
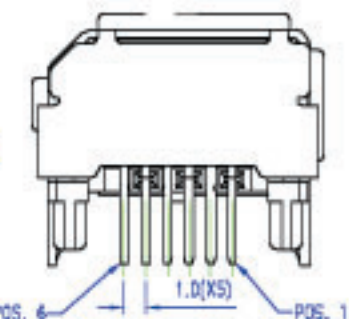
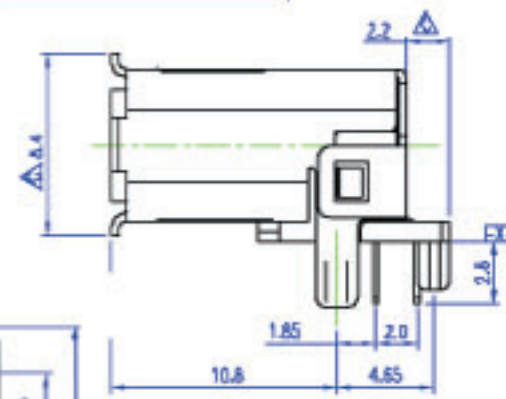
FIGURE A: PCB FOOTPRINT FOR RECEPTACLE (THROUGH-HOLE)

NOTES :

1. RECOMMENDED PC BOARD THICKNESS OF 1.57mm
2. THIS ALLOW FOR A PANEL THICKNESS OF 2.87mm MAXIMUM, IF THE RECEPTACLE CONNECTOR IS MOUNTED BEHIND A PANEL.
3. RECOMMENDED PC BOARD MOUNTING DIMENSION : REFER TO FIGURE A
4. PRODUCT NUMBERING CODE : REFER TO TABLE A
5. DATUM AND BASIC DIMENSIONS ESTABLISHED BY CUSTOMER
6. PRODUCT SPECIFICATION NO. : CSP-FMW10-00-00
- $\Delta$  7. ELECTRICAL CHARACTERISTICS:
  - 7.1. LOW LEVEL CONTACT RESISTANCE: 30 MILLIOHMS Max.
  - 7.2. DIELECTRIC WITHSTANDING VOLTAGE: 500 VAC
  - 7.3. INSULATOR RESISTANCE: 100 MEGAOHMS Min.
  - 7.4. CONTACT CURRENT RATING: 1.0 Ampere Max
- $\Delta$  8. MECHANICAL CHARACTERISTICS:
  - 8.1. CONNECTOR MATING FORCE: 39.2 Newtons Max
  - 8.2. CONNECTOR UNMATING FORCE: 9.8 Newtons Min
  - 8.3. DURABILITY: 1500 CYCLES
  - 8.4. TEMPERATURE RANGE: +15°C TO +85°C



SCALE 4 : 1



GENERAL TOLERANCE		ANGLE TOLERANCE		DRWN	DNTE
X	$\pm 0.35$	K	$\pm 5^\circ$	PETER	12/13/00'
X	$\pm 0.25$	X	$\pm 2.5^\circ$	OSBEN	DNTE
JX	$\pm 0.15$	JX	$\pm 1.5^\circ$	Max	09/27/00'
J00	$\pm 0.05$	J00	$\pm 1.5^\circ$		
MATERIAL: SEE NOTES		CHECKED: DNTE		APPROVED: DNTE	
FINISH: SEE NOTES		APPROVED: Max		DNTE 04/02/01'	
SCALE 4 : 1	UNIT mm			SERIES	REV A3
SHEET 1 of 2				DRAWING NO. C-FMW20-00-00	REV C

ASSMANN ELECTRONICS, INC.

A-IE-S-DIP