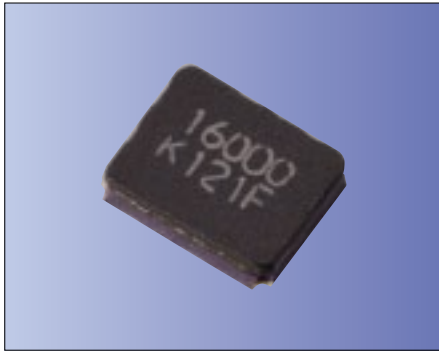


3.2×2.5mm for Automotive



RoHS Compliant

Features

- Crystal unit for automotive electronics
- Small and low profile (3.2×2.5×0.80mm)
- Ceramic package
- Reflow compatible
- AEC-Q200 qualified

Applications

- ECU • TPMS
- High-Speed Automotive Network (Flex Ray™ etc.)

How to Order

CX3225CA 16000

① ② ③ ④ ⑤ ⑥ ⑦

- ① Series ② Frequency
③ Load Capacitance ④ Frequency Stability
- | | | | | | |
|-----------|------|------|----------|-------------------------|------|
| D0 | 8 pF | Std. | P | $\pm 50 \times 10^{-6}$ | Std. |
|-----------|------|------|----------|-------------------------|------|
- ⑤ Operating Temp. Range ⑥ Frequency Temp. Stability
- | | | | |
|-----------|---------------|--------------------------|------|
| SW | -40 to +125°C | $\pm 200 \times 10^{-6}$ | Std. |
|-----------|---------------|--------------------------|------|
- ⑦ Individual Specification

Packaging (Tape & Reel 3000 pcs./ reel)

Specifications

Item	Symbol	Specification	Units	Remarks
Frequency Range	f _{nom}	9800 to 54000	kHz	
Overtone Order	OT	Fundamental	—	
Load Capacitance	CL	8	pF	
Frequency Stability	f _{tol}	±50	$\times 10^{-6}$	25°C±3°C
Motional Series Resistance	R1	Table 1	ohm	
Drive Level	DL	Table 2	μW	
Operating Temp. Range	T _{use}	-40 to +125	°C	
Storage Temp. Range	T _{stg}	-40 to +150	°C	
Frequency Temp. Characteristics	f _{tem}	±200	$\times 10^{-6}$	Freq. deviation from the value at 25°C

• Please contact us for other specifications.

Typical Frequencies and Part Numbers

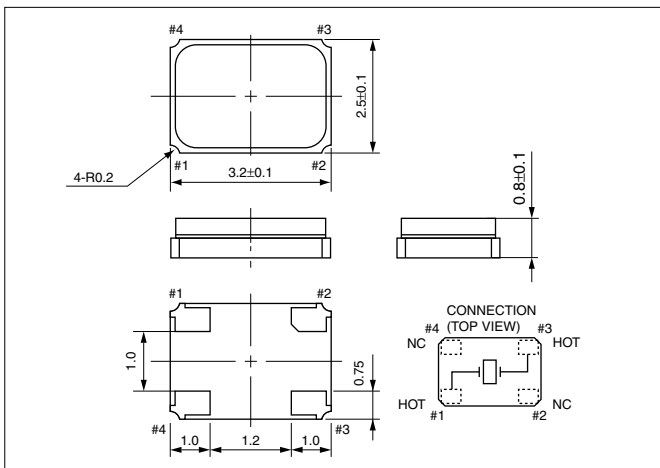
Frequency (kHz)	Part Number
9843.750	CX3225CA09843D0PSWZ1
10000.000	CX3225CA10000D0PSWZ1
12000.000	CX3225CA12000D0PSWZ1
12800.000	CX3225CA12800D0PSWZ1
13560.000	CX3225CA13560D0PSWZ1
16000.000	CX3225CA16000D0PSWZ1
19200.000	CX3225CA19200D0PSWZ1
20000.000	CX3225CA20000D0PSWZ1
24000.000	CX3225CA24000D0PSWZ1
26000.000	CX3225CA26000D0PSWZ1
28636.360	CX3225CA28636D0PSWZ1
32000.000	CX3225CA32000D0PSWZ1
40000.000	CX3225CA40000D0PSWZ1

Table1 Motional Series Resistance Table2 Level of Drive

Frequency Range	Motional Series Resistance	Frequency Range	Level of Drive
9800 to 11999kHz	500Ω max.	9800 to 54000kHz	10μW (200μW max.)
12000 to 13999kHz	300Ω max.		
14000 to 15999kHz	200Ω max.		
16000 to 19999kHz	100Ω max.		
20000 to 26999kHz	100Ω max.		
27000 to 54000kHz	100Ω max.		

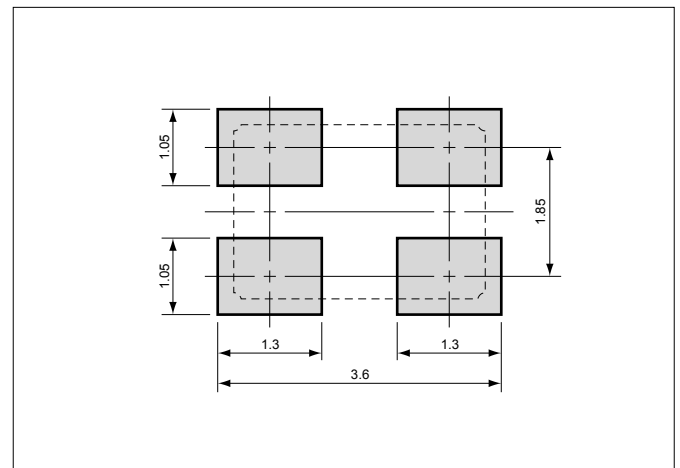
Dimensions

(Unit: mm)



Recommended Land Pattern

(Unit: mm)





RoHS Compliant

Features

- Crystal unit for automotive electronics
- Small and low profile (5.0×3.2×1.3mm)
- Ceramic package
- Reflow compatible
- AEC-Q200 qualified

Applications

- ECU

How to Order

CX5032GA 08000 □ □ □ □ □ □ □ □ □ □
① ② ③ ④ ⑤ ⑥ ⑦

- ① Series ② Frequency
③ Load Capacitance ④ Frequency Stability

DO	8 pF	—	P	±50×10 ⁻⁶	—
HO	12 pF	Std.	Q	±100×10 ⁻⁶	Std.

- ⑤ Operating Temp. Range ⑥ Frequency Temp. Stability

TW	-40 to +150°C	±200×10 ⁻⁶	Std.
-----------	---------------	-----------------------	------

- ⑦ Individual Specification

Packaging (Tape & Reel 3000/ 1000 pcs./ reel)

Specifications

Item	Symbol	Specification	Units	Remarks
Frequency Range	f _{nom}	8000 to 40000	kHz	
Overtone Order	OT	Fundamental	—	
Load Capacitance	CL	12	pF	
Frequency Stability	f _{tol}	±100	×10 ⁻⁶	25°C±3°C
Motional Series Resistance	R1	Table 1	ohm	
Drive Level	DL	Table 2	μW	
Operating Temp. Range	T _{use}	-40 to +150	°C	
Storage Temp. Range	T _{stg}	-40 to +150	°C	
Frequency Temp. Characteristics	f _{tem}	±200	×10 ⁻⁶	Freq. deviation from the value at 25°C

• Please contact us for other specifications.

Typical Frequencies and Part Numbers

Frequency (kHz)	Part Number
8000.000	CX5032GA08000HOQTWZ1
9843.750	CX5032GA09843HOQTWZ1
10000.000	CX5032GA10000HOQTWZ1
12000.000	CX5032GA12000HOQTWZ1
13560.000	CX5032GA13560HOQTWZ1
15000.000	CX5032GA15000HOQTWZ1
16000.000	CX5032GA16000HOQTWZ1
18000.000	CX5032GA18000HOQTWZ1
20000.000	CX5032GA20000HOQTWZ1
24000.000	CX5032GA24000HOQTWZ1
25000.000	CX5032GA25000HOQTWZ1

Table1 Motional Series Resistance

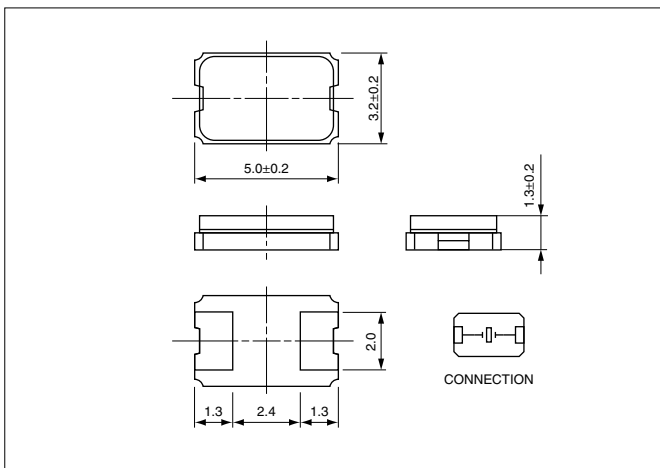
Frequency Range	Motional Series Resistance
8000 to 9499kHz	300Ω max.
9500 to 9999kHz	200Ω max.
10000 to 13999kHz	150Ω max.
14000 to 19999kHz	100Ω max.
20000 to 29999kHz	70Ω max.
30000 to 40000kHz	50Ω max.

Table2 Level of Drive

Frequency Range	Level of Drive
8000 to 15999kHz	10μW (500μW max.)
16000 to 24999kHz	10μW (300μW max.)
25000 to 40000kHz	10μW (100μW max.)

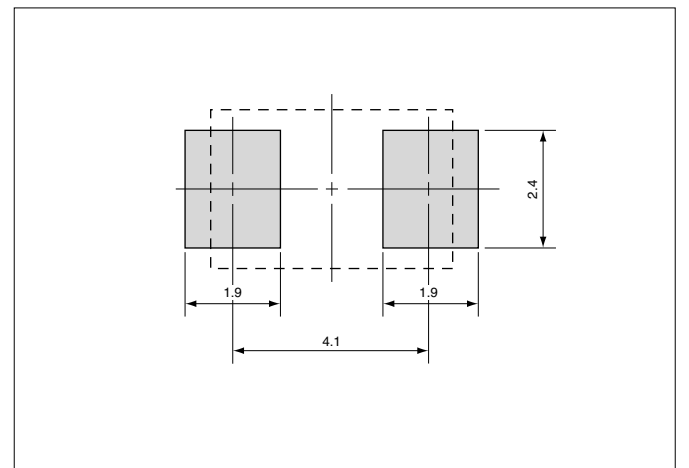
Dimensions

(Unit: mm)



Recommended Land Pattern

(Unit: mm)



11.8×5.5mm for Automotive



RoHS Compliant

Features

- Crystal unit for automotive electronics
- Small and low profile (11.8×5.5×2.5mm)
- Ceramic package
- Reflow compatible
- AEC-Q200 qualified

Applications

- ECU

How to Order

CX1255CA 04000

- ① Series
② Frequency
③ Load Capacitance ④ Frequency Stability

DO	8 pF	—	P	$\pm 50 \times 10^{-6}$	—
HO	12 pF	Std.	Q	$\pm 100 \times 10^{-6}$	Std.

- ⑤ Operating Temp. Range ⑥ Frequency Temp. Stability

TW	-40 to +150°C	$\pm 200 \times 10^{-6}$	Std.
-----------	---------------	--------------------------	------

- ⑦ Individual Specification

Specifications

Item	Symbol	Specification	Units	Remarks
Frequency Range	f _{nom}	3500 to 20000	kHz	
Overtone Order	OT	Fundamental	—	
Load Capacitance	CL	12	pF	
Frequency Stability	f _{tol}	±100	×10 ⁻⁶	25°C±3°C
Motional Series Resistance	R1	Table 1	ohm	
Drive Level	DL	Table 2	μW	
Operating Temp. Range	T _{use}	-40 to +150	°C	
Storage Temp. Range	T _{stg}	-40 to +150	°C	
Frequency Temp. Characteristics	f _{tem}	±200	×10 ⁻⁶	Freq. deviation from the value at 25°C

• Please contact us for other specifications.

Typical Frequencies and Part Numbers

Frequency (kHz)	Part Number
4000.000	CX1255CA04000HOQTWZ1
5000.000	CX1255CA05000HOQTWZ1
6000.000	CX1255CA06000HOQTWZ1
8000.000	CX1255CA08000HOQTWZ1
10000.000	CX1255CA10000HOQTWZ1
12000.000	CX1255CA12000HOQTWZ1
16000.000	CX1255CA16000HOQTWZ1
18000.000	CX1255CA18000HOQTWZ1
20000.000	CX1255CA20000HOQTWZ1

Table1 Motional Series Resistance

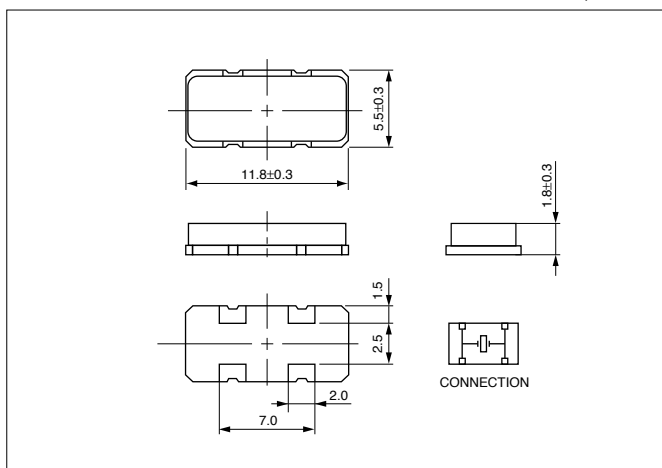
Frequency Range	Motional Series Resistance
3500 to 3999kHz	200Ω max.
4000 to 7999kHz	180Ω max.
8000 to 11999kHz	120Ω max.
12000 to 20000kHz	80Ω max.

Table2 Level of Drive

Frequency Range	Level of Drive
3500 to 15999kHz	10μW (500μW max.)
16000 to 20000kHz	10μW (300μW max.)

Dimensions

(Unit: mm)



Recommended Land Pattern

(Unit: mm)

