

6

5

4

3

2

1

MATERIAL AND FINISH:

Insulator: Polycarbonate, UL-94V-0 rated
Contacts: Brass, Nickel plated

ELECTRICAL SPECIFICATIONS:

Current rating: 10 A
Voltage rating: 250 VAC
Current rating: 15 A
Voltage rating: 250 VAC



ORDERING CODE:

42R03-6 2
 1 2

1) COLOR

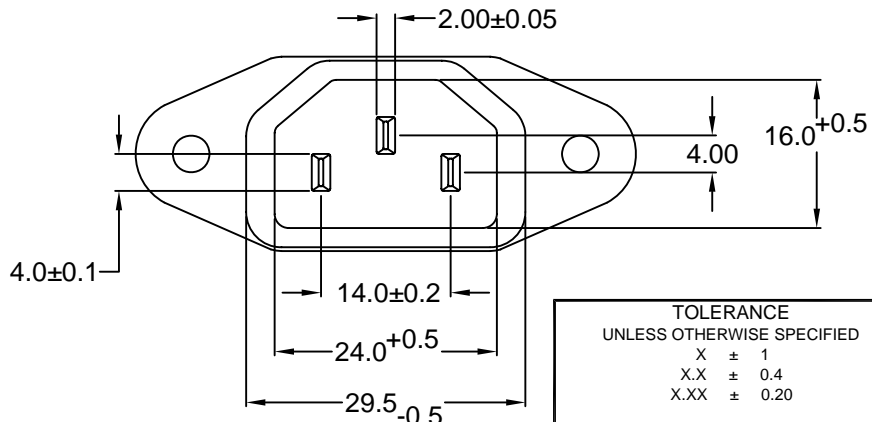
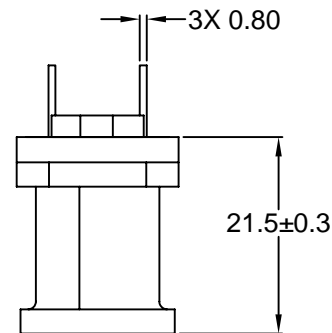
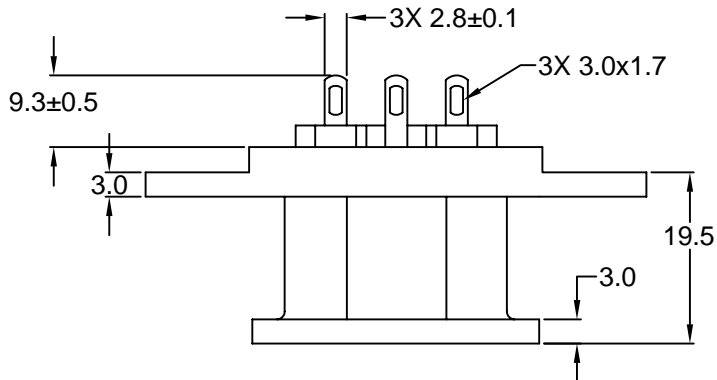
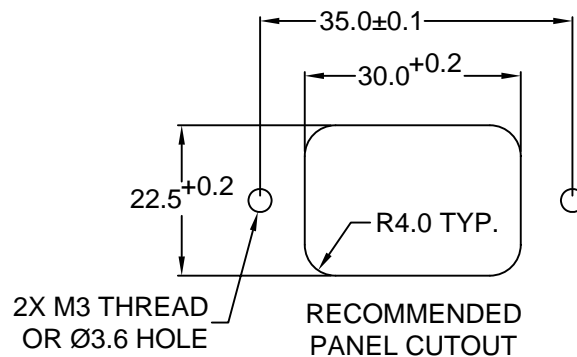
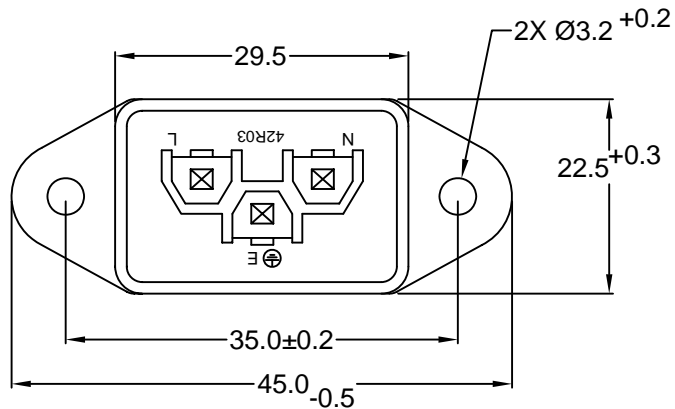
1 = BLACK
2 = GRAY

2) ELECTRICAL CIRCUIT CONFIGURATION

1 = 15A 250V 120°C
2+GROUND

2 = 15A 250V 70°C
2+GROUND

4 = 15A 250V 70°C
2 POLE



**RoHS
COMPLIANT**

TOLERANCE UNLESS OTHERWISE SPECIFIED	
X	± 1
X.X	± 0.4
X.XX	± 0.20

Power Dynamics, Inc.
Phone: 973 560-0019 Whippany, New Jersey Fax: 973 560-0076

PART: IEC 60320 C14 APPL. INLET; SOLDER
TERMINALS; BOTTOM FLANGE

DRAWN BY	GQ	DATE:	08/17/01
CHECK BY	TD	DATE:	08/20/01
APPR BY	PB	DATE:	08/21/01

PART #: 42R03-6X2X		SHEET
SIZE: A		1 of 1
SCALE: NTS	ALL DIMENSIONS FOR REFERENCE ONLY DIMENSIONS ARE IN MILLIMETERS	REV: A

REVISIONS	CHANGE	CHNG	CHK	APPR
	DATE	1/8/10	PB	
REV	A			

6

5

4

3

2

1