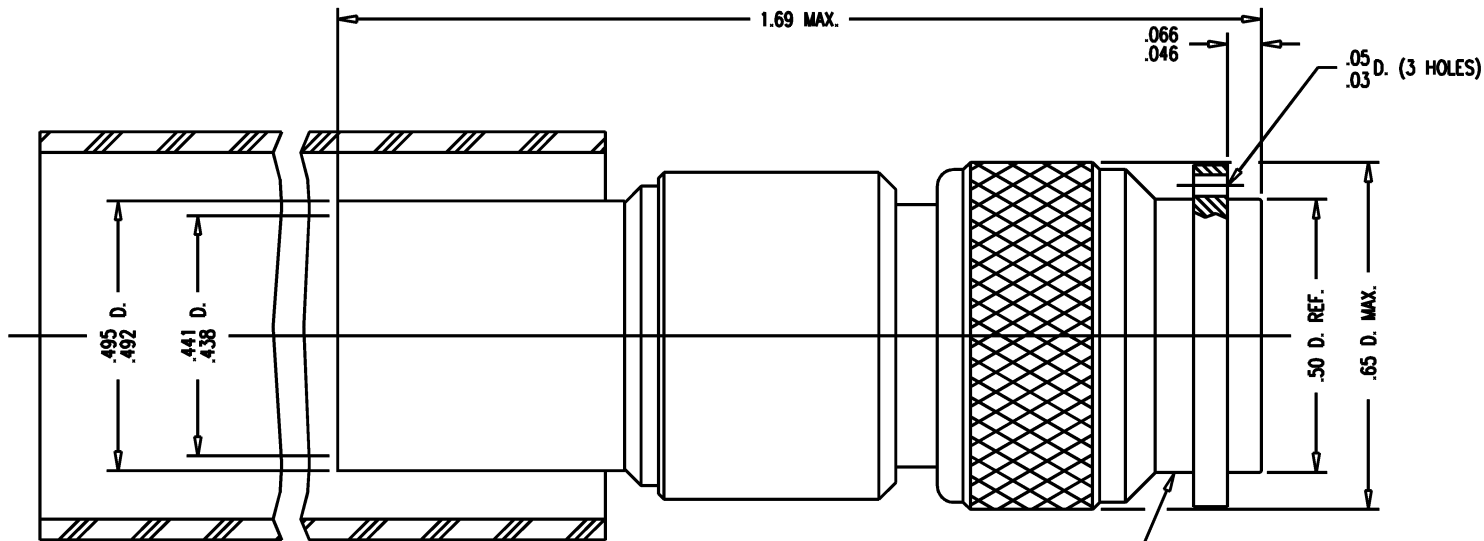


GSD

KA-59-351-M07

REVISIONS

ISSUE	CHANGES	
0	ER JCA	34928 09/14/93
4	CN MJB	35274 A 01/06/94



STAMP: KINGS KA-59-351-M07

NOTES:

- FOR USE WITH RG-9B, 214, & 393/U CABLES.
- FOR CABLING INSTRUCTIONS SEE CP-480 (3-455).
- FOR CABLE TRIMMING USE KTJ-137 & KTD-138.
- FOR CRIMPING USE DIE KTH-2004.
- INTERFACE PER MIL-STD-348, FIG. 313-1.
- CENTER CONTACT (1-855-3M9D) SUPPLIED UNASSEMBLED.
- MATERIALS:
 - INSULATOR: TEFLON, ASTM-D-1457
 - GASKET: SILICONE RUBBER, ZZ-R-765
 - SHRINK TUBING: POLYOLEFIN
 - K-GRIP SLEEVE: COM. BRONZE TUBE, ALLOY 220
 - OUTER CONTACT: BER. COPPER, ASTM-B-196
 - C-RING: PHOSPHOR BRONZE, QQ-B-750
 - ALL OTHER METAL PARTS: BRASS, ASTM-B16
- FINISHES:
 - CENTER CONTACT: GOLD PLATE, PER MIL-C-45204
 - ALL OTHER METAL PARTS: SILVER PLATE PER QQ-S-365
- ELECTRICAL CHARACTERISTICS:
 - NOMINAL IMPEDANCE: 50 OHMS
 - WORKING VOLTAGE: 500 VRMS
 - FREQUENCY RANGE: DC TO 11 GHz

JCA4304

SCALE	4:1	
APPROX SURFACE AREA		
WAS:	E-17336	
USED ON		
REF:		
PLUG, TNC		
DRAWN	JCA	DATE 09/14/93
DESIGN	MJB	DATE 09/15/93
APPR.	VLS	DATE 09/20/93

KINGS
ELECTRONICS CO., INC.
TUCKAHOE, NEW YORK 10707

KA-59-351-M07

GSD