

FEATURES AND SPECIFICATIONS

Features and Benefits

- Sizes 2, 6 and 8 circuits
- Inner positive lock provides easy attachment and secure mating retention
- Side walls protect latch and facilitate mating
- Side ribs provide polarization

Reference Information

Packaging: Bag
 UL File No.: E29179
 CSA File No.: LR19980
 Mates With: [51139](#), [53720](#) and [53727](#)
 Use With: [50597](#) and 50598
 Applicable Retainer: [51140](#)
 Designed In: Millimeters

Electrical

Voltage: 600V
 Current: 9.0A
 Contact Resistance: 10mΩ max.
 Dielectric Withstanding Voltage: 1500V AC/1 min.
 Insulation Resistance: 1000 MΩ min.

Physical

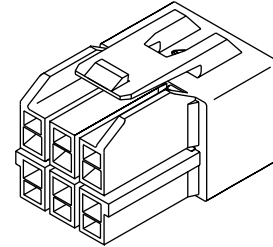
Housing: PBTP, UL 94V-0
 Operating Temperature: -40 to +105°C



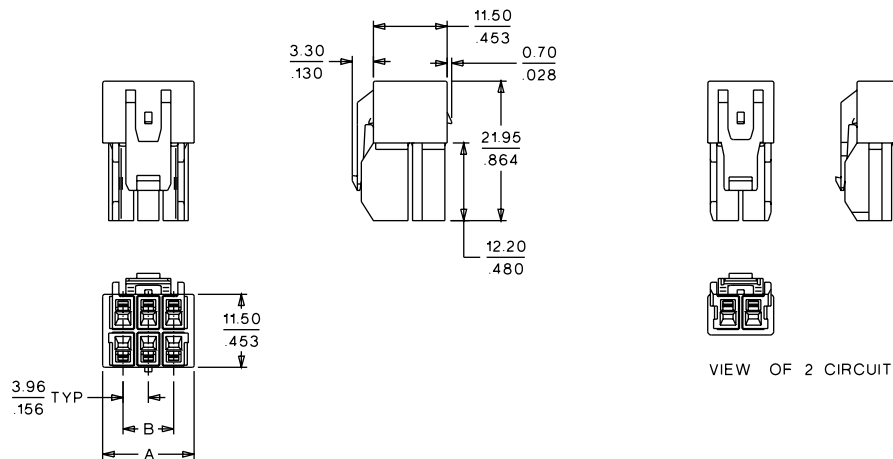
3.96mm (.156") Pitch Wire-to-Wire and Wire-to-Board Receptacle

51138

Dual Row



CATALOG DRAWING (FOR REFERENCE ONLY)



ORDERING INFORMATION AND DIMENSIONS

Circuits	Order No.	Dimension	
		A	B
2	51138-0200	10.30 (.406)	3.96 (.156)
6	51138-0600	14.26 (.561)	7.92 (.312)
8	51138-0800	18.22 (.717)	11.88 (.468)