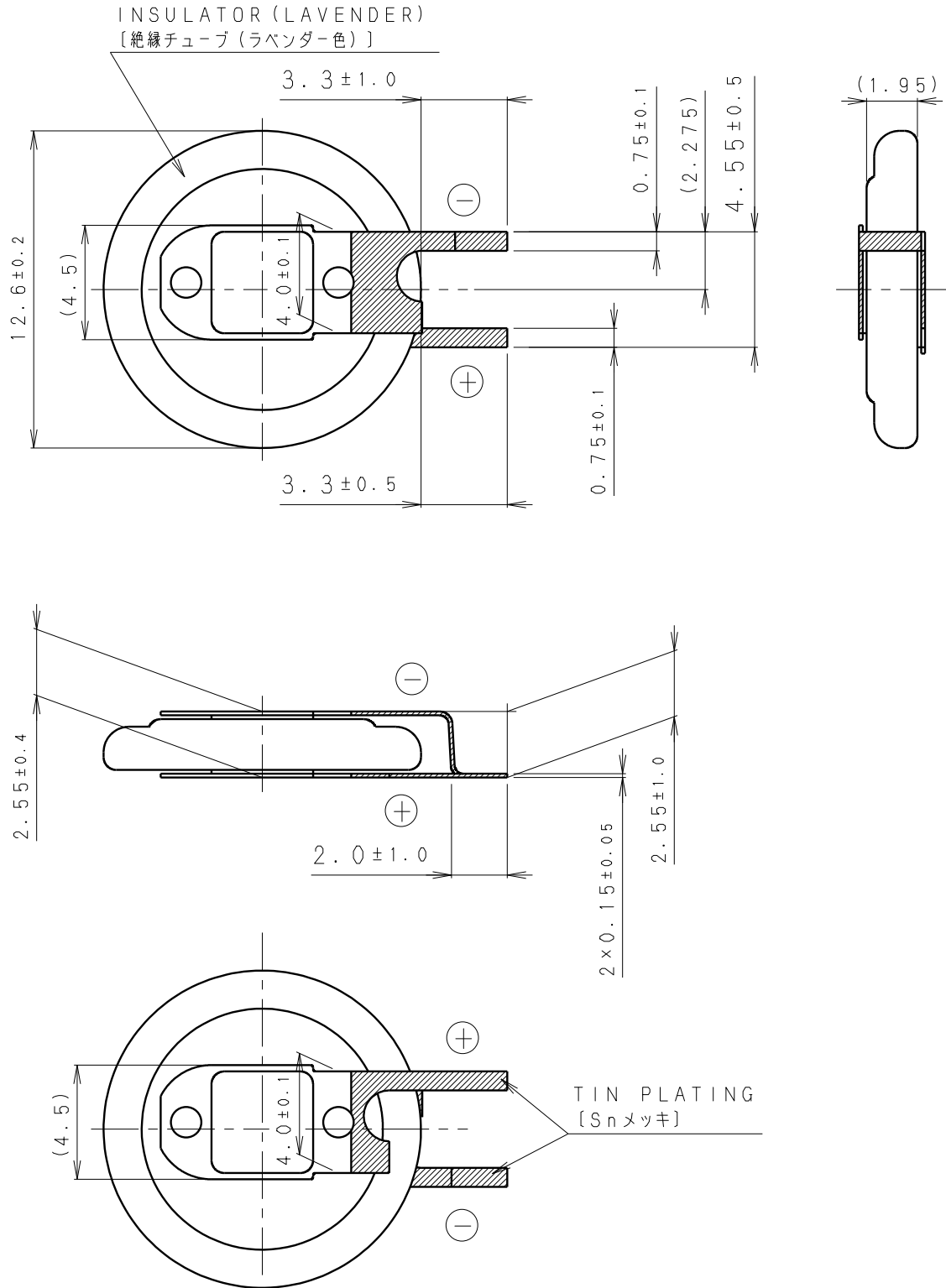


* NOTE [注記]

- TAB PULLING STRENGTH OVER 14.7N
[端子溶接強度: 14.7N以上]
- TAB MATERIAL: STAINLESS STEEL WITH TIN PLATING [Snメッキ]
[端子材料: 基材 ステンレス/表面 部分Snメッキ]
- () : REFERENCE DIMENSION AND ANGLE
[() 寸法、角度は参考値]

| | | | |
|-------------|--------------|-------|--|
| PRODUCT NO. | ML-1220/F1AN | SCALE | |
| | | 4:1 | |
| DRAWING NO. | JEFF6Z | REV. | |
| | | 0 | |



* NOTE [注記]

1. TAB PULLING STRENGTH OVER 14.7N
[端子溶接強度: 14.7N以上]
2. TAB MATERIAL: STAINLESS STEEL WITH TIN PLATING [斜線]
[端子材料: 基材 ステンレス/表面 部分Snメッキ [斜線]]
3. (): REFERENCE DIMENSION AND ANGLE
[() 寸法、角度は参考値]

| | | | |
|-------------|--------------|-------|--|
| PRODUCT NO. | ML-1220/F1BN | SCALE | |
| | | 4:1 | |
| DRAWING NO. | JEFB6Z | REV. | |
| | | 0 | |