



# PROFESSIONAL QUALITY ADAPTOR (7000 SERIES) - XLR SOCKET TO MONO 1/4" JACK

Sheet No. **PS 0707**

Date : 24.03.94

**582-220**

Issue No. 1

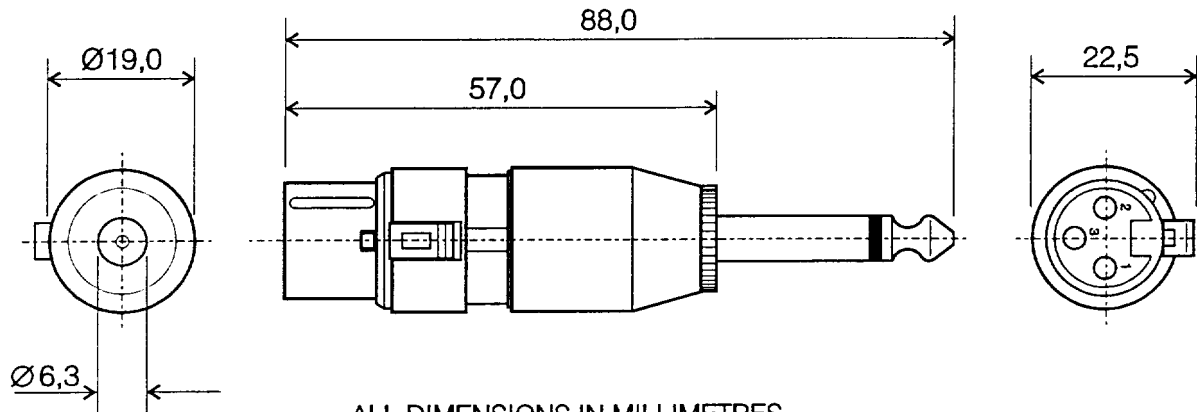
Sheet 1 of 1

Signature

Deltron Part No. **739-0070**

## PRODUCT SPECIFICATION

### Dimensions



### Description

A range of adaptors which simplify the intermatability between various audio, video and AXR/XLR compatible connectors, enabling interconnection of microphones, mixers, amplifiers and sound equipment etc.

A range of coloured plastic coding tabs offer a quick and easy system of identification.

Available in a smart matt black finish.

### Features

#### MATERIALS

##### XLR PLUG

HOUSING : Zinc Diecasting  
Black Chrome finish

CONTACT BASE : Valox DR48

CONTACTS : Brass, Silver plate

LATCH : Zinc Diecasting  
Black Chrome finish

SCREW COLLAR : Aluminium  
Black Anodise finish

EARTHING : Spring Steel, Silver plate

IDENT RINGS : Acetal (UL 94 HB)

IDENT OPTIONS : Yellow, Brown, Blue, Green  
Red, White, Black, Clear

##### MONO 1/4" JACK

BODY : Brass, Nickel plate