

6

5

4

3

2

1

MATERIAL AND FINISH:

Insulator: Polycarbonate, UL-94V-0 rated
Contacts: Brass, Nickel plated

ELECTRICAL SPECIFICATIONS:

Current rating: 10 A
Voltage rating: 250 VAC
Current rating: 15 A
Voltage rating: 250 VAC



ORDERING CODE:

42R01-6 2
 1 3

1 = COLOR

- 1 = BLACK
- 2 = GRAY

2 = M3x6.0mm
SCREW TERMINALS

3 = ELECTRICAL CIRCUIT
CONFIGURATION

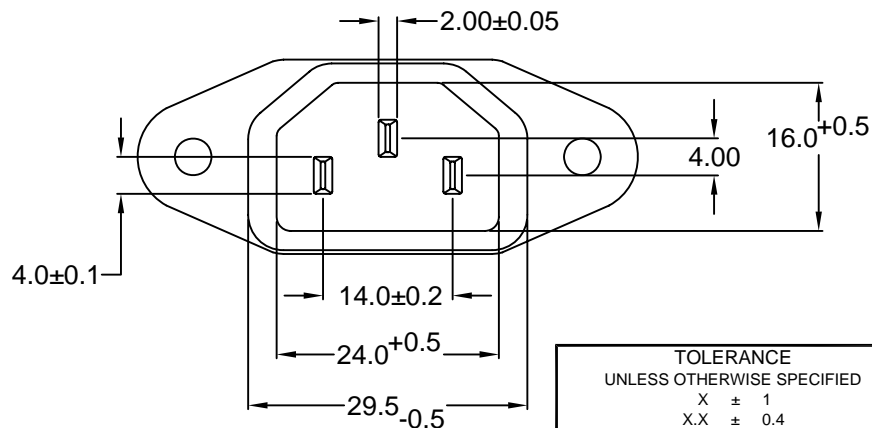
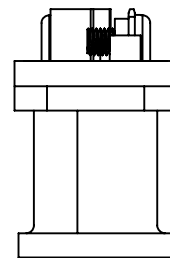
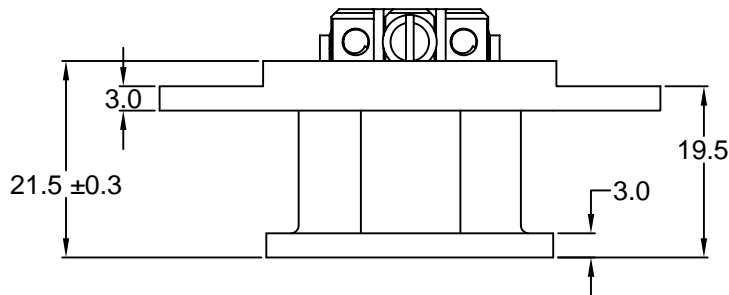
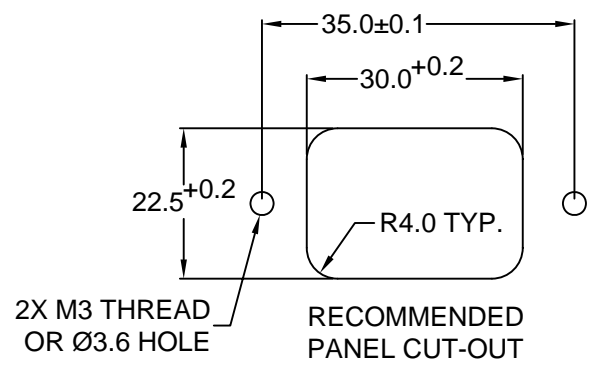
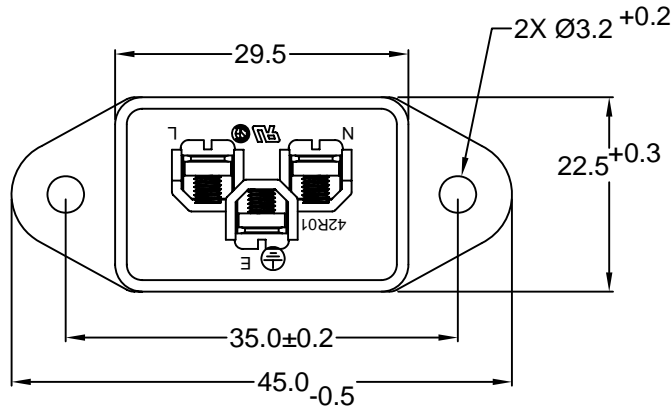
1 = 15A 250V 120°C
2+GROUND



2 = 15A 250V 70°C
2+GROUND



4 = 15A 250V 70°C
2 POLE



RoHS
COMPLIANT

TOLERANCE UNLESS OTHERWISE SPECIFIED			
X	± 1		
X.X	± 0.4		
X.XX	± 0.20		
DRAWN BY	GQ	DATE:	08/09/01
CHECK BY	TD	DATE:	08/14/01
APPR BY	PB	DATE:	08/14/01

Power Dynamics, Inc.	
Phone: 973 560-0019 Whippany, New Jersey Fax: 973 560-0076	
PART: IEC 60320 C14 APPL. INLET; SCREW TERMINALS; BOTTOM FLANGE	
42R01-6X2X	
SIZE: A	ALL DIMENSIONS FOR REFERENCE ONLY DIMENSIONS ARE IN MILLIMETERS
SCALE: NTS	REV:

SHEET
1 of 1

D

C

B

A

REVISIONS	CHNG	CHK	APPR
REV	DATE	CHANGE	