

Digital Audio Data Transmission Transformer

(For Use with Crystal Semiconductor's CS8401, CS8402)

Turns Ratio (± 5%) 1 : 1

PARAMETER	MIN.	MAX.	UNITS
Open Circuit Inductance	2.0	3.0	mHy
Leakage Inductance		0.50	μHy
Rise Time		25	nSec
DC Resistance		0.7	ohms
Isolation (HI-POT)	2.0		KV _{RMS}
ET Product	20		VμS
Common Mode Rejection (@ 1MHz in 100 Ω System)	70		dB
Return Loss (100kHz - 10MHz)	22		dB

3 dB bandwidth 100kHz to 10 MHz typical

TEST CONDITIONS: Oscillation Voltage = 20mV, Oscillation Frequency = 100.0 KHz

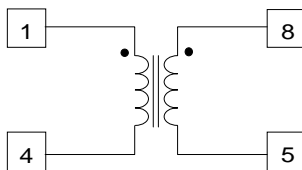
Flammability: Materials used in the production of these units meet requirements of UL94-VO and IEC 695-2-2 needle flame test.

Operating Temperature Range: 0°C to +70°C

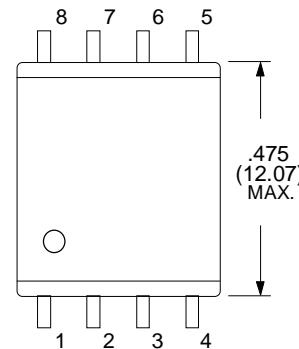
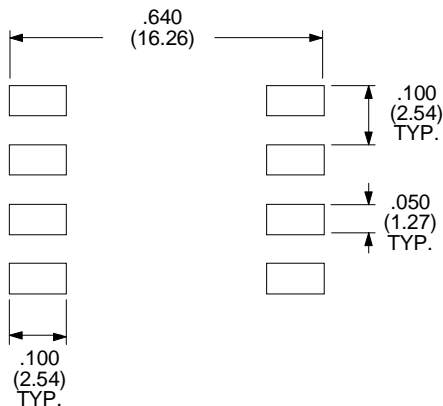
Parts shipped in anti-static tubes.
44 pieces per tube

Tape & Reel Available

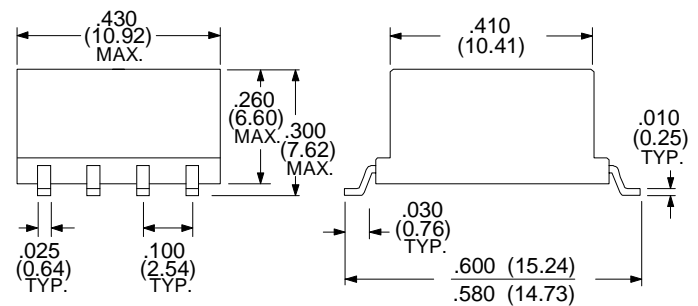
SCHEMATIC DIAGRAM



SUGGESTED PAD LAYOUT



Dimensions in Inches (mm)



RHOMBUS INDUSTRIES INC.
FSCM NO. 16714

RHOMBUS P/N: T-934

CUST P/N:

NAME:

DATE: 10/12/96

SHEET: 1 OF 1