

# MINI RF TRANSFORMERS



## R33M Series



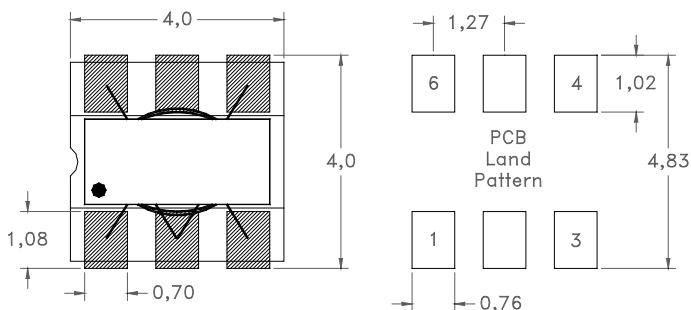
- Good for wideband and RF instrumentation applications
- Smallest wideband transformer: 4mm square, 3.5 mm high
- 300 V interwinding isolation, 1/4 Watt RF input power
- 250 mA max current rating
- RF Power: 0.25 Watt Max
- DC Current: 30mA Max
- Operating Temperature: -40°C to +85°C
- RoHS Compliant Product

## ELECTRICAL PARAMETERS @25°C

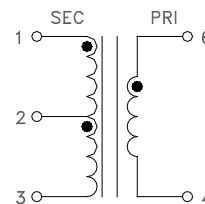
Part Number	Impedance Ratio Sec/Pri ±10%	Bandwidth 3dB Typ MHz	Insertion Loss dB Typ	Primary OCL ( $\mu$ H) Min 4-6
R33M-				
2-1	2	0.5-400	0.50	30.0
3-1	3	0.8-500	0.60	20.0
4-1	4	3-800	0.70	5.0
4-6	4	1.5-600	0.60	15.0
4-12	4	20-1200	0.80	2.0
8-1	8	2-400	0.80	12.0
9-1	9	2-400	0.80	12.0
16-1	16	2-280	0.90	12.0

- Inductance measured at 10KHz, 0.1VRMS at Primary side ( 6-4 )
- Insertion Loss is referenced to mid-band loss.

## DIMENSIONS (mm)



## SCHEMATIC



### Dimensions

Unless otherwise specified, all tolerances are:  
 inch: .XX :  $\pm 0.015$  .XXX :  $\pm 0.004$   
 mm: X,X :  $\pm 0.38$  X,XX :  $\pm 0.10$

Product performance is limited to specified parameters. Data is subject to change without prior notice.

13200 Estrella Ave., Bldg. B  
 Gardena, CA 90248

Tel: 310-325-1043  
 Fax: 310-325-1044

www.mpsind.com  
 sales@mpsind.com