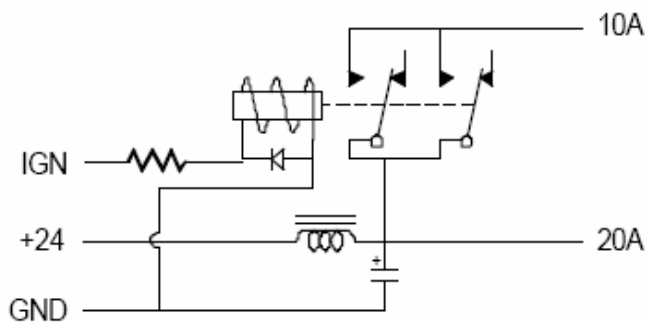


The 1500 series filter is the same filter design as the 1443 series except that a switched output has been added. The switched output is relay controlled and the relay input is voltage sensitive. The relay control is through the (IGN) input. The switched output is limited to 10 amperes. The total current limitation is 20 amps.



Operating voltage (max) = 12,24 or 36 Vdc
 Operating Current (max) = 20 Amperes
 Temperature range (storage) = -40 to 105 C
 Temperature range (operating) = -40 TO 65 C
 Design Specifications:
 Humidity: Mil-Std-810, 507.3, cycle 5
 Temperature: Mil-Std-810, 507.3-1
 Vibration: Mil-Std-810,
 Shock: Mil-Std-810, Proc. (5), Crash hazard
 Order p/n: LL-1500-20-12 for 12 Vdc
 LL-1500-20-24 " 24 Vdc
 LL-1500-20-36 " 36 Vdc

