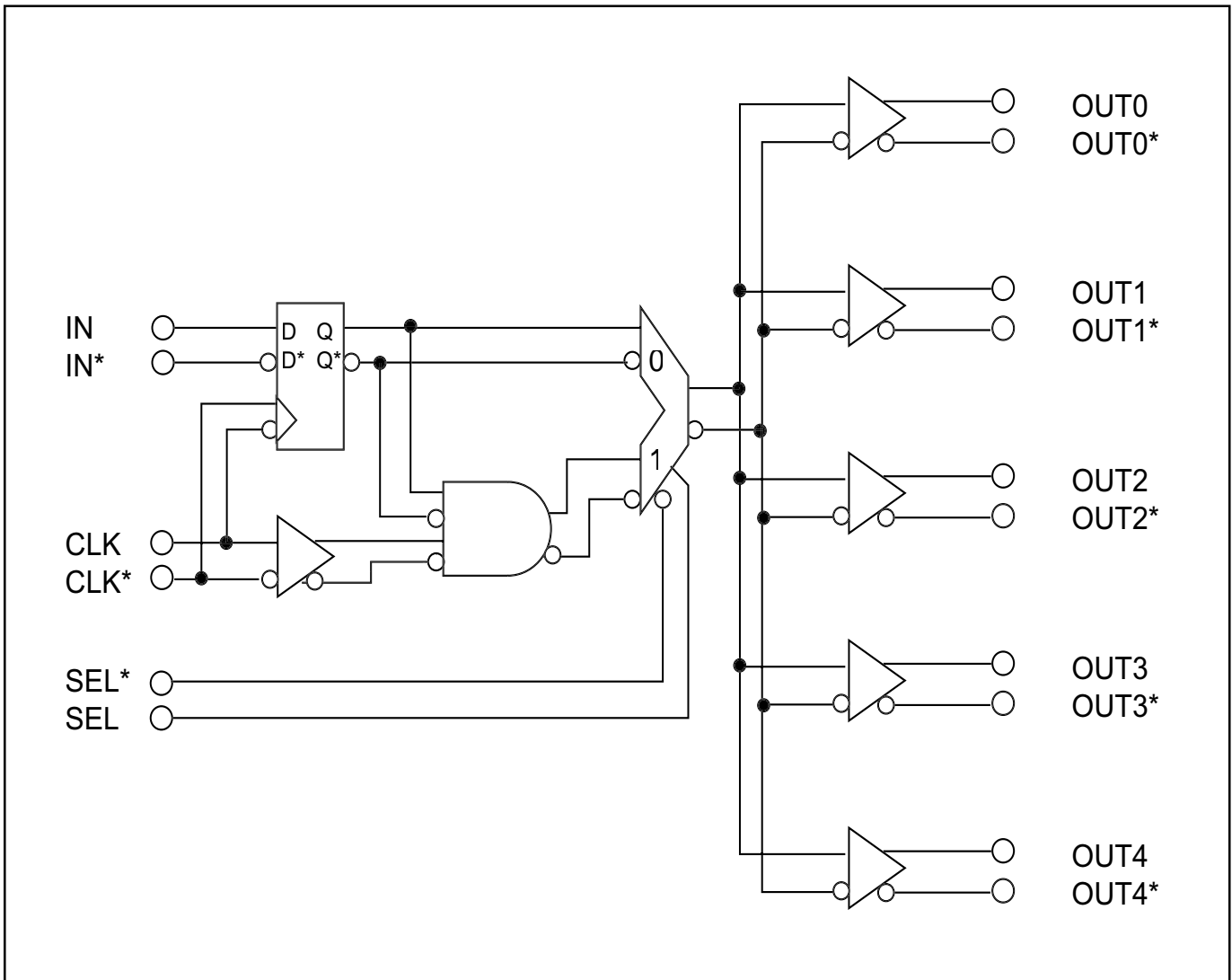


*SK15XX Family Functional Block Diagram*



## SK15XX Family Product Selection Guide

**1:5 Signal Distribution**
**3 GHz**
**Synch / Asynch Operation**

### Logic Family

Product	Power Supply		Output Configuration				Output	Availability
	3.3V	5.2V	Open Emitter	50Ω Double Termination	50Ω Source Termination	Internal Current Sink (Double Termination)		
SK1500	●	●	●				ECL / PECL	Now
SK1501		●	●				Double Swing / TTL	Now
SK1502	●	●		●			ECL / PECL	Now
SK1503	●	●				●	ECL / PECL	Now
SK1504	●	●			●		ECL / PECL	Now

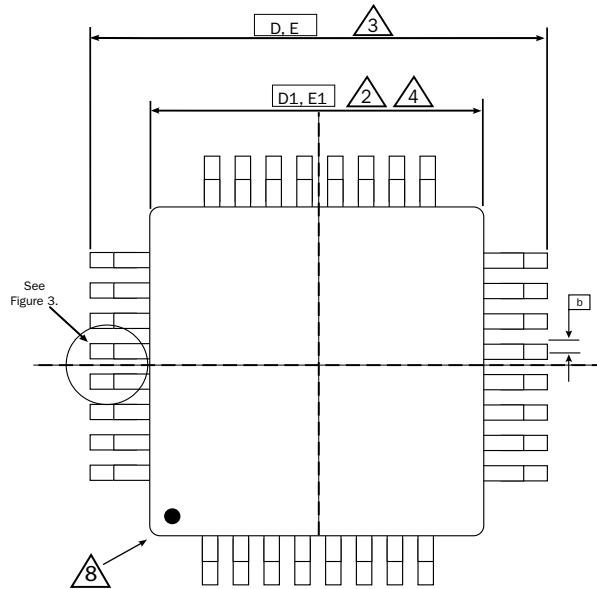
### Logic / Translation Family

Product	Translation	Output Configuration			Availability
		Open Emitter	50Ω Double Termination	50Ω Source Termination	
SK1525	Anything to PECL	●			Now
SK1526	Anything to ECL	●			Now
SK1527	Anything to PECL		●		Now
SK1528	Anything to ECL		●		Now
SK1529	Anything to PECL			●	Now
SK1530	Anything to ECL			●	Now

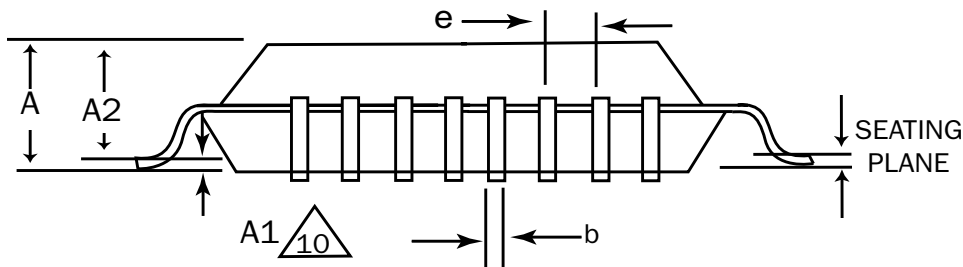
### Open Collector Logic Family

Product	Output Configuration	Output Current	Availability
	<b>Open Collector</b>		
SK1599	●	12 mA	Q2 2001

*SK15XX Family Package Information  
5mm x 5mm TQFP*

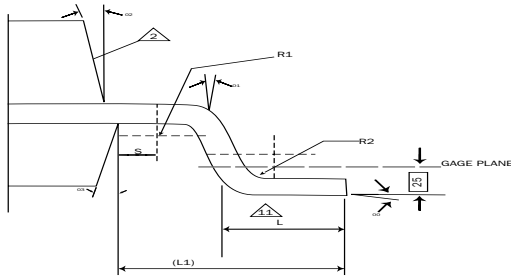


**Top View**

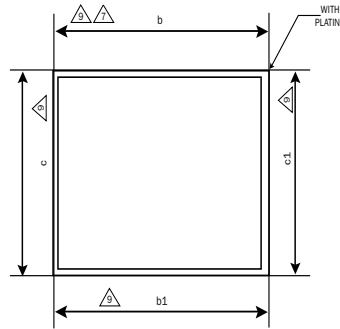


**Side View**

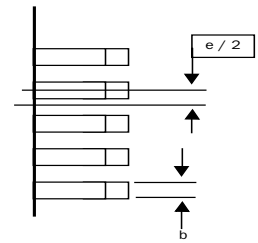
### SK15XX Family Package Information (continued) 5mm x 5mm TQFP



**Figure 1.**



**Figure 2.**



**Figure 3.**

- All dimensions and tolerancing conforms to ANSI Y14.5M-1982.
- The top package body size may be smaller than the bottom package body size by as much as 0.15 mm.
- To be determined at seating plane.
- Dimensions D1 and E1 do not include mold protrusion. Allowable protrusion is 0.25 mm per side. D1 and E1 are maximum plastic body size dimensions including mold mismatch.
- Details of Pin 1 identifier optional, but must be located within the zone indicated.
- All dimensions are in millimeters.
- Dimension b does not include Dambar protrusion. Allowable Dambar protrusion shall not cause the lead width to exceed the maximum b dimension by more than 0.08 mm. Dambar cannot be located on the lower radius or the foot. Minimum space between protrusion and an adjacent lead is 0.07 mm for 0.4 mm and 0.5 mm pitch packages.
- Exact shape of each corner is optional.
- These dimensions apply to the flat section of the lead between 0.10 mm and 0.25 mm from the lead tip.
- A1 is defined as the distance from the seating plane to the lowest point of the package body.

JEDEC Variation All Dimensions in Millimeters					
Symbol	MIN	NOM	MAX	Note	Comments
A	1.00	1.10	1.20		Package Stand Off Height
A1	0.05	0.10	0.15		Air Gap
A2	0.95	1.00	1.05		Package Body Thickness
D	7.00 BSC			3	
D1	5.00 BSC			4, 2	Package Body Length
E	7.00 BSC			3	
E1	5.00 BSC			4, 2	Package Body Width
N	32				Lead Count
e	0.50 BSC				Lead Pitch
b	0.17	0.22	0.27	7	Lead Thickness
b1	0.17	0.20	0.23		
R1	0.08	-	-		
R2	0.08	-	0.20		
00	0°	3.5°	7°		
01	0°	-	-		
02	11°	12°	13°		
03	11°	12°	13°		
S	0.20	-	-		
c	0.09	-	0.20		
c1	0.09	-	0.16		
L	0.45	0.60	0.75		
L1	1.00 REF				
aaa	0.20				
bbb	0.20				
ccc	0.08				
ddd	0.08				

**Absolute Maximum Ratings\***

Symbol	Parameter	Value	Unit
$V_{EE}$	Power Supply ( $V_{CC} = 0V$ )	-6.0 to 0	V
$V_{CC}$	Power Supply ( $V_{EE} = 0V$ )	6.0 to 0	V
$V_I$	Input Voltage ( $V_{CC} = 0V$ , $V_I$ not more negative than $V_{EE}$ )	-6.0 to 0	V
$V_I$	Input Voltage ( $V_E = 0V$ , $V_I$ not more positive than $V_{CC}$ )	6.0 to 0	V
$I_{OUT}$	Output Current Continuous Surge	50 100	mA mA
$T_A$	Operating Temperature Range	0 to +70	°C
$T_{stg}$	Storage Temperature	-65 to +150	°C
$T_{sol}$	Solder Temperature (<2 to 3 seconds: 245°C desired)	265	°C

\* Maximum Ratings are those values beyond which damage to the device may occur.

#### Description

The SK1500 is an extremely fast, stable, and accurate low skew 1:5 clock / signal distributor featuring a synchronous enable, which allows the outputs to be turned off and on without the risk of an unpredictable output pulse. The D - flip-flop is triggered on the falling edge of the clock.

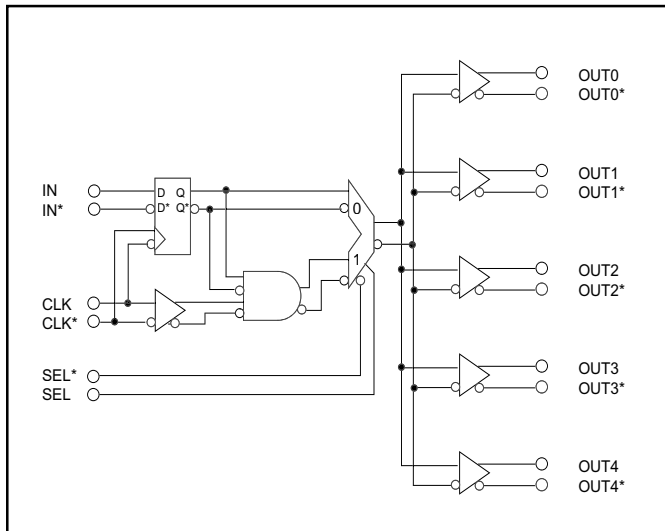
The SK1500 uses standard open emitter ECL outputs optimized for:

- General purpose ECL compatible applications
- Multiple destination applications (daisy chain).

#### Features

- 1:5 Clock/Data Driver
- 3 GHz Fmax
- 3.3V / 5.2V Compatible

#### Functional Block Diagram



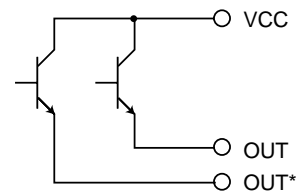
#### Package Information

32 pin, 5 mm x 5 mm  
TQFP Package

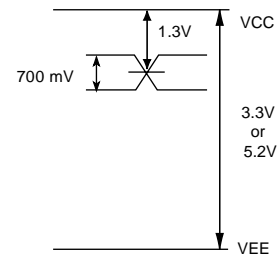


#### Output Options

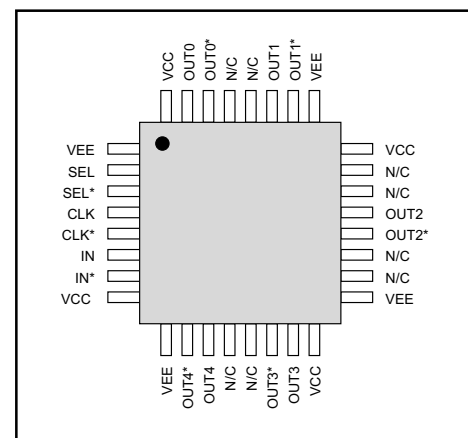
##### Open Emitter



##### Output Swing



#### Pin Description



### DC Characteristics

Parameter	Symbol	Min	Typ	Max	Units
<b>Inputs</b>					
Input High	V <sub>IH</sub>	V <sub>EE</sub> + 2.0		V <sub>CC</sub>	V
Input Low	V <sub>IL</sub>	V <sub>EE</sub>		V <sub>CC</sub> - .2	V
(IN - IN*, CLK - CLK*, SEL - SEL*) Differential Input Voltage (Note 1)	Input - Input*	.2		4.3	V
Timing Inputs (CLK / CLK*)					
Input High Current	I <sub>IH</sub>	+1		+25	μA
Input Low Current	I <sub>IL</sub>	-1		+1	μA
Functional Inputs (IN / IN*, SEL / SEL*) Input Current	I <sub>IH</sub> , I <sub>IL</sub>	-420		+250	μA
<b>Outputs</b>					
Digital Output Voltage	OUT - OUT*	600	700		mV
Output Common Mode Range	(OUT + OUT*) / 2	V <sub>CC</sub> - 1.5	V <sub>CC</sub> - 1.3	V <sub>CC</sub> - 1.1	V
<b>Power Supply</b>					
Power Supply Current	I <sub>EE</sub>		95	120	mA
Power Supply Voltage	V <sub>CC</sub> - V <sub>EE</sub>	3.0		5.5	V

Test Conditions: Outputs terminated with 50Ω to V<sub>CC</sub> – 2V.

Note 1: Production tested to a maximum V<sub>diff</sub> = 2.0V.

### AC Characteristics

Parameter	Symbol	Min	Typ	Max	Units
<b>High Performance Option</b>					
Propagation Delay					
CLK to OUT (SEL = 0)	T <sub>pd</sub>	490	590	690	ps
CLK to OUT (SEL = 1)	T <sub>pd</sub>	340	440	540	ps
SEL to OUT	T <sub>pd</sub>	330	430	530	ps
Channel to Channel Skew				<20	ps
Maximum Operating Frequency (Note 1)	F <sub>max</sub>	3.0			GHz
Minimum Pulse Width (Note 1)	PW min	160			ps
IN to CLK (Note 1)					
Set Up Time	T <sub>su</sub>	100			ps
Hold Time	T <sub>h</sub>	100			ps
Output Rise and Fall Times (20% / 80%)	T <sub>r</sub> / T <sub>f</sub>		125	150	ps
Temperature Coefficient	ΔT <sub>pd</sub> / ΔT		<1		ps / °C

Note 1: Guaranteed by characterization. Not production tested.

## HIGH-PERFORMANCE PRODUCTS

### Description

The SK1501 is an extremely fast, stable, and accurate low skew 1:5 clock / signal distributor featuring a synchronous enable, which allows the outputs to be turned off and on without the risk of an unpredictable output pulse. The D - flip-flop is triggered on the falling edge of the clock.

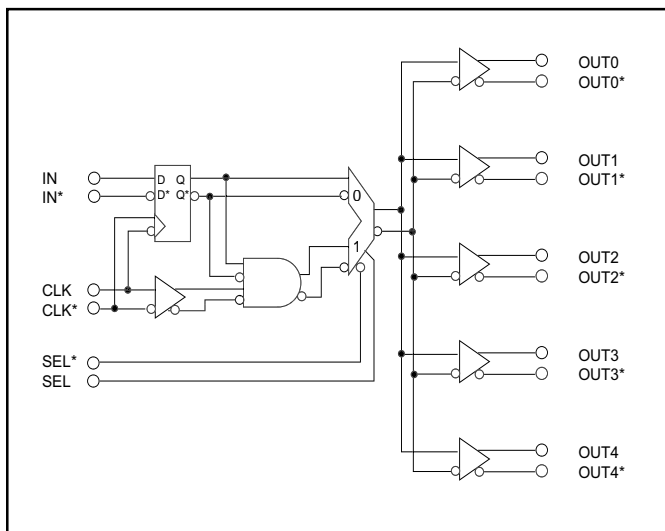
The SK1501 uses open emitter outputs with a double amplitude swing suitable for the following applications:

- TTL compatible destinations
- Double termination situations that require a full swing at the destination
- Long cables

### Features

- 1:5 Clock/Data Driver
- 2 GHz Fmax
- 4.5V / 5.2V Compatible

### Functional Block Diagram



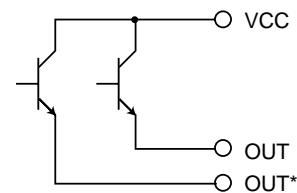
### Package Information

32 pin, 5 mm x 5 mm  
TQFP Package

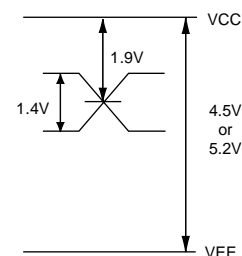


### Output Options

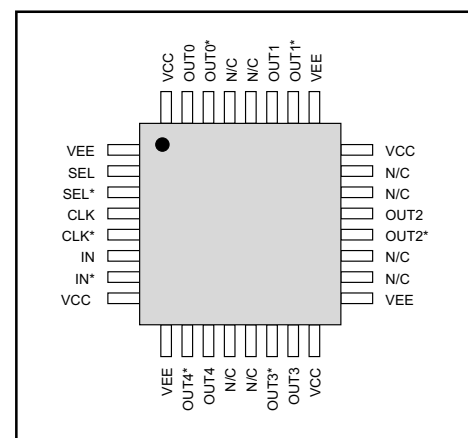
#### Open Emitter



#### Output Swing



### Pin Description





#### DC Characteristics

Parameter	Symbol	Min	Typ	Max	Units
Inputs					
Input High	V <sub>IH</sub>	V <sub>EE</sub> + 2.0		V <sub>CC</sub>	V
Input Low	V <sub>IL</sub>	V <sub>EE</sub>		V <sub>CC</sub> - .2	V
(IN - IN*, CLK - CLK*, SEL - SEL*) Differential Input Voltage	Input - Input*	.2		4.3	V
Timing Inputs (CLK / CLK*)					
Input High Current	I <sub>IH</sub>	+1		+25	μA
Input Low Current	I <sub>IL</sub>	-1		+1	μA
Functional Inputs (IN / IN*, SEL / SEL*) Input Current	I <sub>IH</sub> , I <sub>IL</sub>	-420		+250	μA
Outputs					
Digital Output Voltage	OUT - OUT*	1.2	1.4	V <sub>CC</sub> - 1.7	V
Output Common Mode Range	(OUT + OUT*) / 2	V <sub>CC</sub> - 2.1	V <sub>CC</sub> - 1.9		V
Power Supply					
Power Supply Current	I <sub>EE</sub>		95	120	mA
Power Supply Voltage	V <sub>CC</sub> - V <sub>EE</sub>	4.2		5.5	V

Test Conditions: Outputs terminated with 50Ω to V<sub>CC</sub> – 3V.

#### AC Characteristics

Parameter	Symbol	Min	Typ	Max	Units
High Performance Option					
Propagation Delay					
CLK to OUT (SEL = 0)	T <sub>pd</sub>	490	590	690	ps
CLK to OUT (SEL = 1)	T <sub>pd</sub>	340	440	540	ps
SEL to OUT	T <sub>pd</sub>	330	430	530	ps
Channel to Channel Skew				<20	ps
Maximum Operating Frequency (Note 1)	F <sub>max</sub>	2.0			GHz
Minimum Pulse Width (Note 1)	PW min	250			ps
IN to CLK (Note 1)					
Set Up Time	T <sub>su</sub>	100			ps
Hold Time	T <sub>h</sub>	100			ps
Output Rise and Fall Times (20% / 80%)	T <sub>r</sub> / T <sub>f</sub>		200	250	ps
Temperature Coefficient	ΔT <sub>pd</sub> / ΔT		<1		ps / °C

Note 1: Guaranteed by characterization. Not production tested.

### HIGH-PERFORMANCE PRODUCTS

#### Description

The SK1502 is an extremely fast, stable, and accurate low skew 1:5 clock / signal distributor featuring a synchronous enable, which allows the outputs to be turned off and on without the risk of an unpredictable output pulse. The D - flip-flop is triggered on the falling edge of the clock.

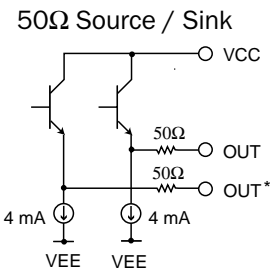
The SK1502 uses 50Ω outputs with source /sink capability, and is optimized for applications that require:

- Point to point, double terminated, timing critical lines

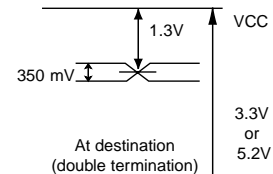
#### Features

- 1:5 Clock/Data Driver
- 3 GHz Fmax
- 3.3V / 5.2V Compatible

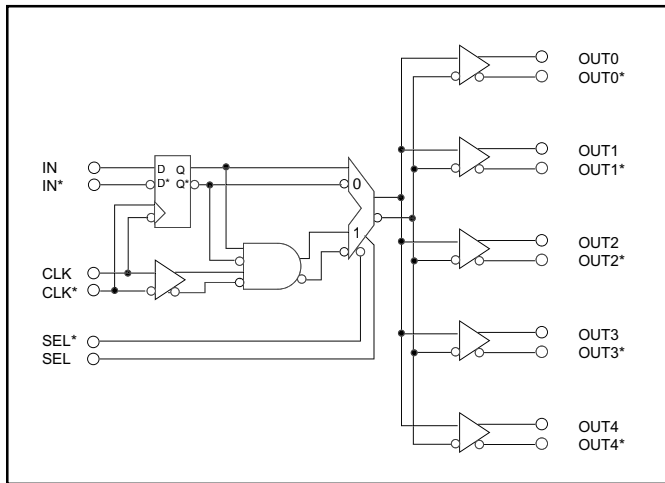
#### Output Options



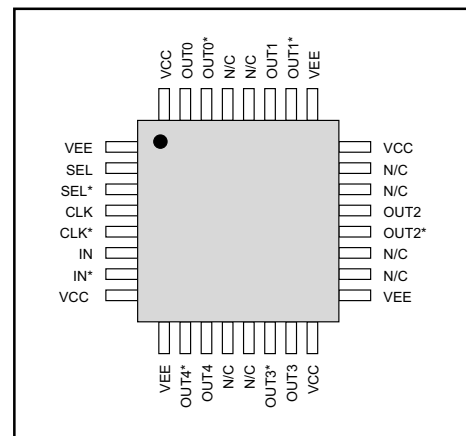
#### Output Swing



#### Functional Block Diagram



#### Pin Description



#### Package Information

32 pin, 5 mm x 5 mm  
TQFP Package



#### DC Characteristics

Parameter	Symbol	Min	Typ	Max	Units
<b>Inputs</b>					
Input High	V <sub>IH</sub>	V <sub>EE</sub> + 2.0		V <sub>CC</sub>	V
Input Low	V <sub>IL</sub>	V <sub>EE</sub>		V <sub>CC</sub> - .2	V
(IN - IN*, CLK - CLK*, SEL - SEL*) Differential Input Voltage	Input - Input*	.2		4.3	V
Timing Inputs (CLK / CLK*)					
Input High Current	I <sub>IH</sub>	+1		+25	μA
Input Low Current	I <sub>IL</sub>	-1		+1	μA
Functional Inputs (IN / IN*, SEL / SEL*)					
Input Current	I <sub>IH</sub> , I <sub>IL</sub>	-420		+250	μA
<b>Outputs</b>					
Digital Output Voltage	OUT - OUT*	600	700	V <sub>CC</sub> - 1.1	mV
Output Common Mode Range	(OUT + OUT*) / 2	V <sub>CC</sub> - 1.5	V <sub>CC</sub> - 1.3		V
Internal Current Source	I <sub>SINK</sub>	4	5	6	mA
Output Impedance	R <sub>OUT</sub>	40	45	50	Ω
<b>Power Supply</b>					
Power Supply Current	I <sub>EE</sub>		135	170	mA
Power Supply Voltage	V <sub>CC</sub> - V <sub>EE</sub>	3.0		5.5	V

Test Conditions: Outputs terminated with 50Ω to V<sub>CC</sub> – 2V.

#### AC Characteristics

Parameter	Symbol	Min	Typ	Max	Units
<b>High Performance Option</b>					
Propagation Delay					
CLK to OUT (SEL = 0)	T <sub>pd</sub>	490	590	690	ps
CLK to OUT (SEL = 1)	T <sub>pd</sub>	340	440	540	ps
SEL to OUT	T <sub>pd</sub>	330	430	530	ps
Channel to Channel Skew				<20	ps
Maximum Operating Frequency (Note 1)	F <sub>max</sub>	3.0			GHz
Minimum Pulse Width (Note 1)	PW min	160			ps
IN to CLK (Note 1)					
Set Up Time	T <sub>su</sub>	100			ps
Hold Time	T <sub>h</sub>	100			ps
Output Rise and Fall Times (20% / 80%)	T <sub>r</sub> / T <sub>f</sub>		125	150	ps
Temperature Coefficient	DT <sub>pd</sub> / DT		<1		ps / °C

Note 1: Guaranteed by characterization. Not production tested.

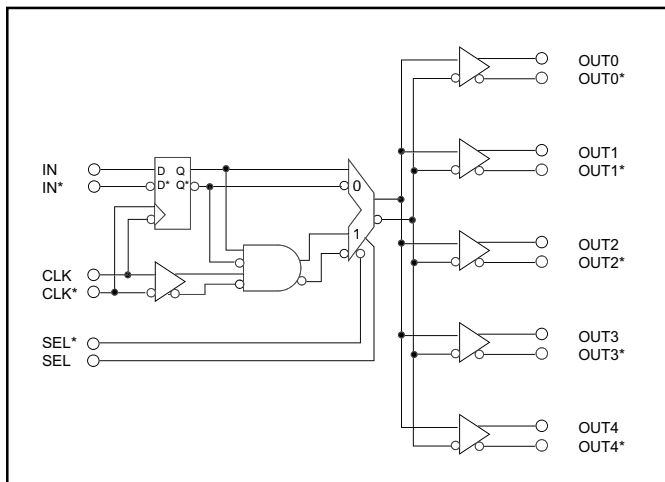
#### Description

The SK1503 is an extremely fast, stable, and accurate low skew 1:5 clock / signal distributor featuring a synchronous enable, which allows the outputs to be turned off and on without the risk of an unpredictable output pulse. The D - flip-flop is triggered on the falling edge of the clock.

The SK1503 outputs are open emitter with an internal current source, optimized for applications that are:

- Point to point, double terminated, timing critical lines
- Non-50Ω transmission lines

#### Functional Block Diagram



#### Package Information

32 pin, 5 mm x 5 mm  
TQFP Package

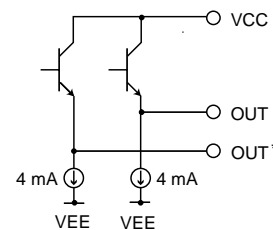


#### Features

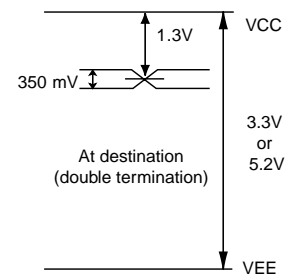
- 1:5 Clock/Data Driver
- 3 GHz Fmax
- 3.3V / 5.2V Compatible

#### Output Options

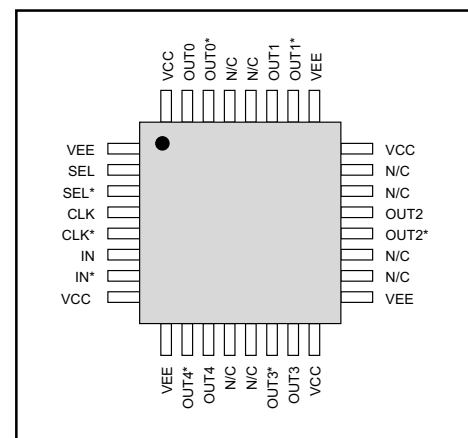
##### Internal Current Sink



##### Output Swing



#### Pin Description



#### DC Characteristics

Parameter	Symbol	Min	Typ	Max	Units
<b>Inputs</b>					
Input High	V <sub>IH</sub>	V <sub>EE</sub> + 2.0		V <sub>CC</sub>	V
Input Low	V <sub>IL</sub>	V <sub>EE</sub>		V <sub>CC</sub> - .2	V
(IN - IN*, CLK - CLK*, SEL - SEL*) Differential Input Voltage	Input - Input*	.2		4.3	V
Timing Inputs (CLK / CLK*)					
Input High Current	I <sub>IH</sub>	+1		+25	μA
Input Low Current	I <sub>IL</sub>	-1		+1	μA
Functional Inputs (IN / IN*, SEL / SEL*) Input Current	I <sub>IH</sub> , I <sub>IL</sub>	-420		+250	μA
<b>Outputs</b>					
Digital Output Voltage	OUT - OUT*	600	700		mV
Output Common Mode Range	(OUT + OUT*) / 2	V <sub>CC</sub> - 1.5	V <sub>CC</sub> - 1.3	V <sub>CC</sub> - 1.1	V
Internal Current Source	I <sub>SINK</sub>	4	5	6	mA
<b>Power Supply</b>					
Power Supply Current	I <sub>EE</sub>		135	170	mA
Power Supply Voltage	V <sub>CC</sub> - V <sub>EE</sub>	3.0		5.5	V

Test Conditions:

#### AC Characteristics

Parameter	Symbol	Min	Typ	Max	Units
<b>High Performance Option</b>					
Propagation Delay					
CLK to OUT (SEL = 0)	T <sub>pd</sub>	490	590	690	ps
CLK to OUT (SEL = 1)	T <sub>pd</sub>	340	440	540	ps
SEL to OUT	T <sub>pd</sub>	330	430	530	ps
Channel to Channel Skew				<20	ps
Maximum Operating Frequency (Note 1)	F <sub>max</sub>	3.0			GHz
Minimum Pulse Width (Note 1)	PW min	160			ps
IN to CLK (Note 1)					
Set Up Time	T <sub>su</sub>	100			ps
Hold Time	T <sub>h</sub>	100			ps
Output Rise and Fall Times (20% / 80%)	T <sub>r</sub> / T <sub>f</sub>		125	150	ps
Temperature Coefficient	ΔT <sub>pd</sub> / ΔT		<1		ps / °C

Note 1: Guaranteed by characterization. Not production tested.

#### Description

The SK1504 is an extremely fast, stable, and accurate low skew 1:5 clock / signal distributor featuring a synchronous enable, which allows the outputs to be turned off and on without the risk of an unpredictable output pulse. The D - flip-flop is triggered on the falling edge of the clock.

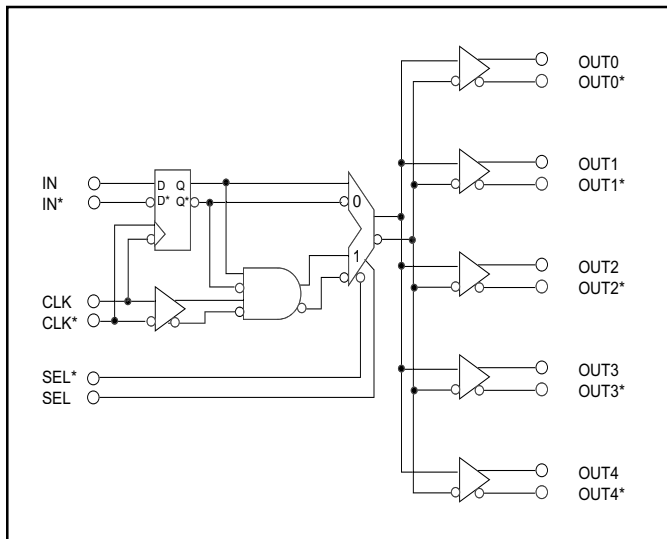
The SK1504 outputs are 50Ω with source and sink capability, optimized for:

- Point to point, series terminated, timing critical lines

#### Features

- 1:5 Clock/Data Driver
- 3 GHz Fmax
- 3.3V / 5.2V Compatible

#### Functional Block Diagram



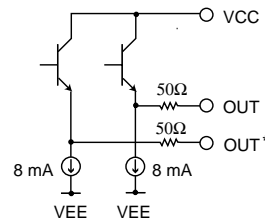
#### Package Information

32 pin, 5 mm x 5 mm  
TQFP Package

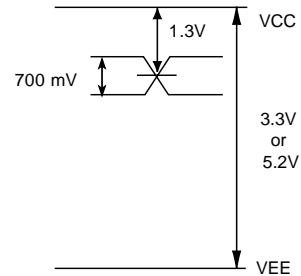


#### Output Options

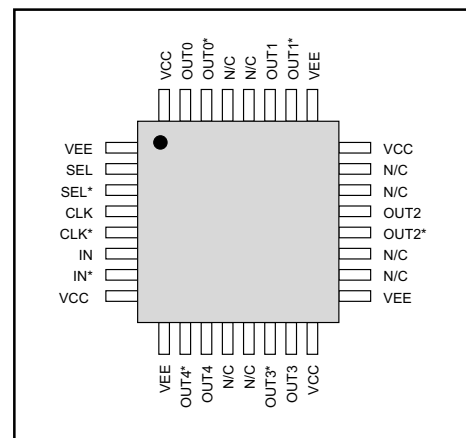
##### 50Ω Source / Sink



##### Output Swing



#### Pin Description



#### DC Characteristics

Parameter	Symbol	Min	Typ	Max	Units
Inputs					
Input High	V <sub>IH</sub>	V <sub>EE</sub> + 2.0		V <sub>CC</sub>	V
Input Low	V <sub>IL</sub>	V <sub>EE</sub>		V <sub>CC</sub> - .2	V
(IN - IN*, CLK - CLK*, SEL - SEL*) Differential Input Voltage	Input - Input*	.2		4.3	V
Timing Inputs (CLK / CLK*) Input High Current	I <sub>IH</sub>	+1		+25	μA
Input Low Current	I <sub>IL</sub>	-1		+1	μA
Functional Inputs (IN / IN*, SEL / SEL*) Input Current	I <sub>IH</sub> , I <sub>IL</sub>	-420		+250	μA
Outputs					
Digital Output Voltage	OUT - OUT*	600	700		mV
Output Common Mode Range	(OUT + OUT*) / 2	V <sub>CC</sub> - 1.5	V <sub>CC</sub> - 1.3	V <sub>CC</sub> - 1.1	V
Internal Current Source	I <sub>SINK</sub>	6.5	8	10	mA
Output Impedance	R <sub>OUT</sub>	40	45	50	Ω
Power Supply					
Power Supply Current	I <sub>EE</sub>		175	221	mA
Power Supply Voltage	V <sub>CC</sub> - V <sub>EE</sub>	3.0		5.5	V

Test Conditions:

#### AC Characteristics

Parameter	Symbol	Min	Typ	Max	Units
High Performance Option					
Propagation Delay CLK to OUT (SEL = 0)	T <sub>pd</sub>	490	590	690	ps
CLK to OUT (SEL = 1)	T <sub>pd</sub>	340	440	540	ps
SEL to OUT	T <sub>pd</sub>	330	430	530	ps
Channel to Channel Skew				<20	ps
Maximum Operating Frequency (Note 1)	F <sub>max</sub>	3.0			GHz
Minimum Pulse Width (Note 1)	PW min	160			ps
IN to CLK (Note 1) Set Up Time	T <sub>su</sub>	100			ps
Hold Time	T <sub>h</sub>	100			ps
Output Rise and Fall Times (20% / 80%)	T <sub>r</sub> / T <sub>f</sub>		125	150	ps
Temperature Coefficient	ΔT <sub>pd</sub> / ΔT		<1		ps / °C

Note 1: Guaranteed by characterization. Not production tested.

#### Description

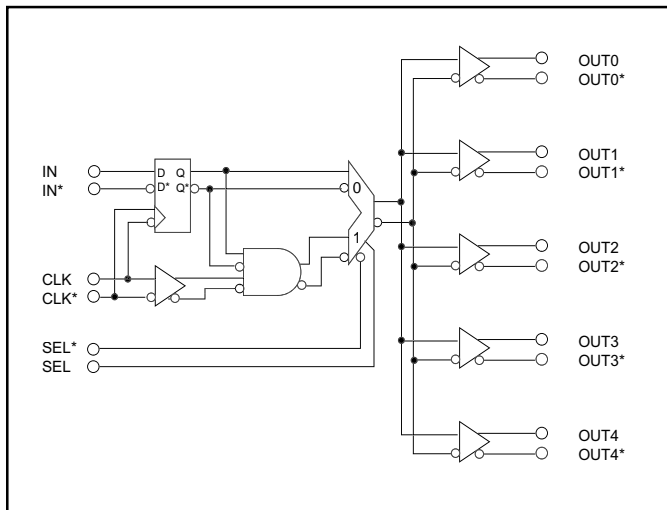
The SK1525 is an extremely fast, stable, and accurate low skew 1:5 clock / signal distributor featuring a synchronous enable, which allows the outputs to be turned off and on without the risk of an unpredictable output pulse. It is also capable of receiving inputs of any technology or voltage level. The D - flip-flop is triggered on the falling edge of the clock.

The SK1525 has open emitter PECL outputs.

Target applications:

- High speed clock / data lines that require translation
- Multiple destination (daisy chain) applications

#### Functional Block Diagram



#### Package Information

32 pin, 5 mm x 5 mm  
TQFP Package

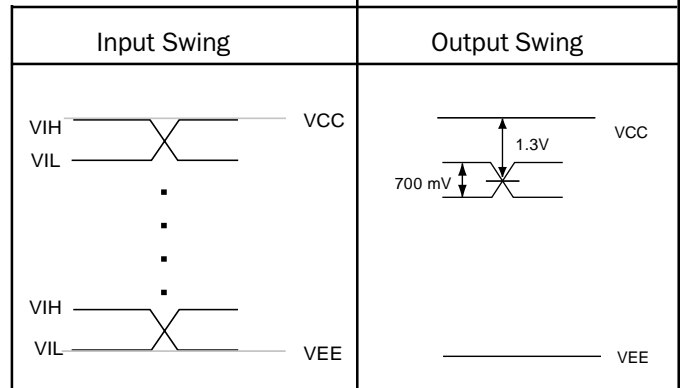
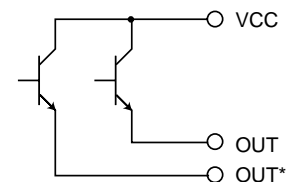


#### Features

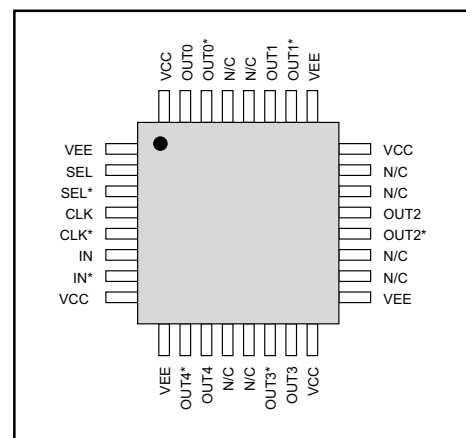
- 1:5 Clock/Data Driver
- 3 GHz Fmax
- Anything to PECL Translation

#### Output Options

Open Emitter



#### Pin Description





### DC Characteristics

Parameter	Symbol	Min	Typ	Max	Units
<b>Inputs</b>					
Input High	V <sub>IH</sub>	V <sub>EE</sub> + 2.0		V <sub>CC</sub>	V
Input Low	V <sub>IL</sub>	V <sub>EE</sub>		V <sub>CC</sub> - .2	V
(IN - IN*, CLK - CLK*, SEL - SEL*) Differential Input Voltage	Input - Input*	.2		4.3	V
Timing Inputs (CLK / CLK*)					
Input High Current	I <sub>IH</sub>	+1		+25	μA
Input Low Current	I <sub>IL</sub>	-1		+1	μA
Functional Inputs (IN / IN*, SEL / SEL*) Input Current	I <sub>IH</sub> , I <sub>IL</sub>	-420		+250	μA
<b>Outputs</b>					
Digital Output Voltage	OUT - OUT*	600	700		mV
Output Common Mode Range	(OUT + OUT*) / 2	V <sub>CC</sub> - 1.5	V <sub>CC</sub> - 1.3	V <sub>CC</sub> - 1.1	V
<b>Power Supply</b>					
Power Supply Current	I <sub>EE</sub>		95	120	mA
Positive Supply Voltage	V <sub>CC</sub>	3.0	3.3	3.6	V
Negative Supply Voltage	V <sub>EE</sub>	-3.6	-3.3	-3.0	V

Test Conditions: Outputs terminated with 50Ω to V<sub>CC</sub> - 2V.

### AC Characteristics

Parameter	Symbol	Min	Typ	Max	Units
<b>High Performance Option</b>					
Propagation Delay					
CLK to OUT (SEL = 0)	T <sub>pd</sub>	490	590	690	ps
CLK to OUT (SEL = 1)	T <sub>pd</sub>	340	440	540	ps
SEL to OUT	T <sub>pd</sub>	330	430	530	ps
Channel to Channel Skew				<20	ps
Maximum Operating Frequency (Note 1)	F <sub>max</sub>	3.0			GHz
Minimum Pulse Width (Note 1)	PW min	160			ps
IN to CLK (Note 1)					
Set Up Time	T <sub>su</sub>	100			ps
Hold Time	T <sub>h</sub>	100			ps
Output Rise and Fall Times (20% / 80%)	T <sub>r</sub> / T <sub>f</sub>		125	150	ps
Temperature Coefficient	ΔT <sub>pd</sub> / ΔT		<1		ps / °C

Note 1: Guaranteed by characterization. Not production tested.

#### Description

The SK1526 is an extremely fast, stable and accurate low skew 1:5 clock / signal distributor featuring a synchronous enable, which allows the outputs to be turned off and on without the risk of an unpredictable output pulse. It is also capable of receiving inputs of any technology or voltage level. The D - flip-flop is triggered on the falling edge of the clock.

The SK1526 has standard open emitter ECL outputs.

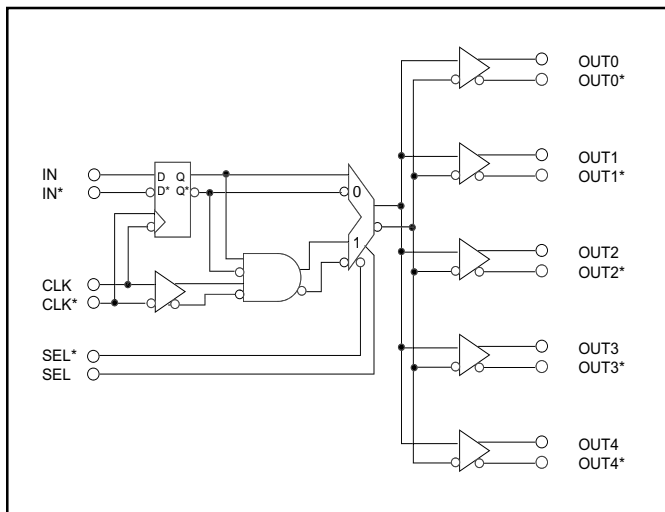
Target applications:

- High speed clock / data lines that require translation
- Multiple destination (daisy chain) applications

#### Features

- 1:5 Clock/Data Driver
- 3 GHz Fmax
- Anything to ECL Translation

#### Functional Block Diagram



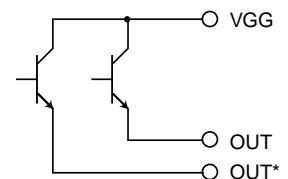
#### Package Information

32 pin, 5 mm x 5 mm  
TQFP Package

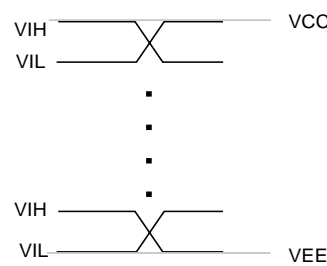


#### Output Options

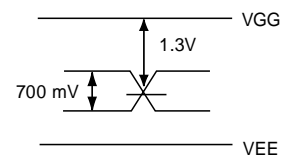
Open Emitter



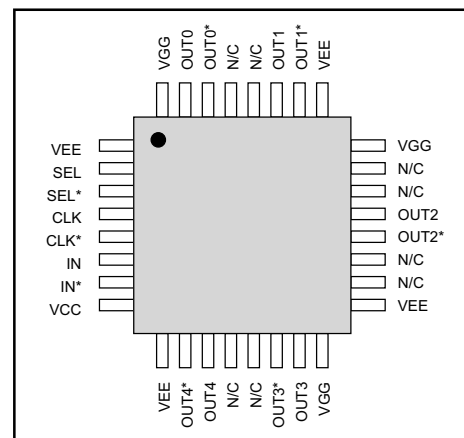
#### Input Swing



#### Output Swing



#### Pin Description



### DC Characteristics

Parameter	Symbol	Min	Typ	Max	Units
<b>Inputs</b>					
Input High	V <sub>IH</sub>	V <sub>EE</sub> + 2.0		V <sub>CC</sub>	V
Input Low	V <sub>IL</sub>	V <sub>EE</sub>		V <sub>CC</sub> - .2	V
(IN - IN*, CLK - CLK*, SEL - SEL*) Differential Input Voltage	Input - Input*	.2		4.3	V
Timing Inputs (CLK / CLK*)					
Input High Current	I <sub>IH</sub>	+1		+25	μA
Input Low Current	I <sub>IL</sub>	-1		+1	μA
Functional Inputs (IN / IN*, SEL / SEL*) Input Current	I <sub>IH</sub> , I <sub>IL</sub>	-420		+250	μA
<b>Outputs</b>					
Digital Output Voltage	OUT - OUT*	600	700	V <sub>GG</sub> - 1.1	mV
Output Common Mode Range	(OUT + OUT*) / 2	V <sub>GG</sub> - 1.5	V <sub>GG</sub> - 1.3		V
<b>Power Supply</b>					
Power Supply Current	I <sub>EE</sub>		95	120	mA
	I <sub>CC</sub>		45	52	mA
Positive Supply Voltage	V <sub>CC</sub>	2.0	3.3	3.6	V
	V <sub>GG</sub>	-1	0	2.0	V
Negative Supply Voltage	V <sub>EE</sub>	-3.6	-3.3	-3.0	V
	V <sub>CC</sub> - V <sub>GG</sub>	0		3.6	V

Test Conditions: Outputs terminated with 50Ω to V<sub>GG</sub> – 2V.

### AC Characteristics

Parameter	Symbol	Min	Typ	Max	Units
<b>High Performance Option</b>					
Propagation Delay					
CLK to OUT (SEL = 0)	T <sub>pd</sub>	490	590	690	ps
CLK to OUT (SEL = 1)	T <sub>pd</sub>	340	440	540	ps
SEL to OUT	T <sub>pd</sub>	330	430	530	ps
Channel to Channel Skew				<20	ps
Maximum Operating Frequency (Note 1)	F <sub>max</sub>	3.0			GHz
Minimum Pulse Width (Note 1)	PW min	160			ps
IN to CLK (Note 1)					
Set Up Time	T <sub>su</sub>	100			ps
Hold Time	T <sub>h</sub>	100			ps
Output Rise and Fall Times (20% / 80%)	T <sub>r</sub> / T <sub>f</sub>		125	150	ps
Temperature Coefficient	ΔT <sub>pd</sub> / ΔT		<1		ps / °C

Note 1: Guaranteed by characterization. Not production tested.

#### Description

The SK1527 is an extremely fast, stable, and accurate low skew 1:5 clock / signal distributor featuring a synchronous enable, which allows the outputs to be turned off and on without the risk of an unpredictable output pulse. It is also capable of receiving inputs of any technology or voltage level. The D - flip-flop is triggered on the falling edge of the clock.

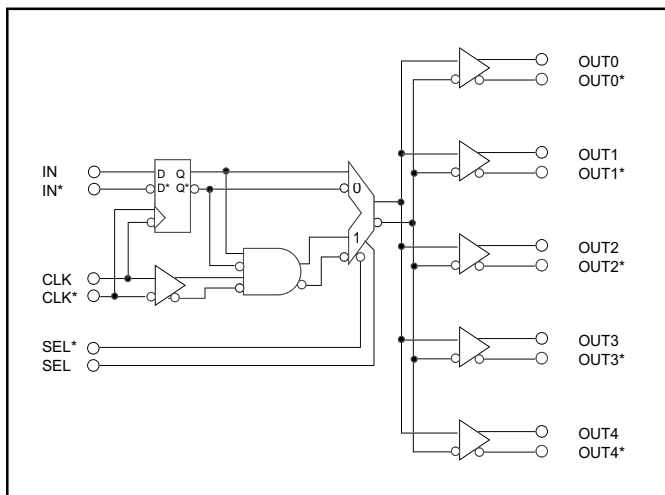
The SK1527 uses 50Ω outputs with source /sink capability, and is optimized for:

- High speed clock / data lines that require translation
- Point to point, double termination applications

#### Features

- 1:5 Clock/Data Driver
- 3 GHz Fmax
- Anything to PECL Translation

#### Functional Block Diagram



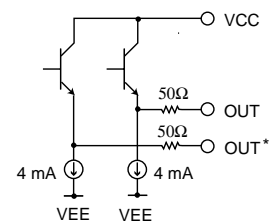
#### Package Information

32 pin, 5 mm x 5 mm  
TQFP Package

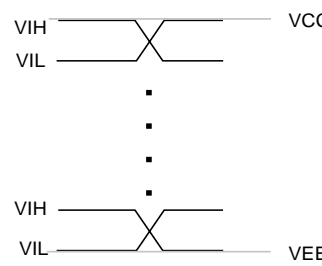


#### Output Options

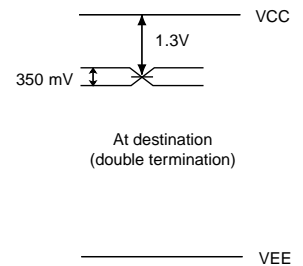
50Ω Source / Sink



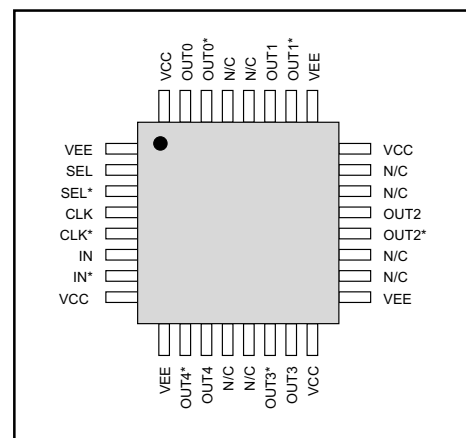
#### Input Swing



#### Output Swing



#### Pin Description



### DC Characteristics

Parameter	Symbol	Min	Typ	Max	Units
<b>Inputs</b>					
Input High	V <sub>IH</sub>	V <sub>EE</sub> + 2.0		V <sub>CC</sub>	V
Input Low	V <sub>IL</sub>	V <sub>EE</sub>		V <sub>CC</sub> - .2	V
(IN - IN*, CLK - CLK*, SEL - SEL*) Differential Input Voltage	Input - Input*	.2		4.3	V
Timing Inputs (CLK / CLK*)					
Input High Current	I <sub>IH</sub>	+1		+25	μA
Input Low Current	I <sub>IL</sub>	-1		+1	μA
Functional Inputs (IN / IN*, SEL / SEL*) Input Current	I <sub>IH</sub> , I <sub>IL</sub>	-420		+250	μA
<b>Outputs</b>					
Digital Output Voltage	OUT - OUT*	600	700		mV
Output Common Mode Range	(OUT + OUT*) / 2	V <sub>CC</sub> - 1.5	V <sub>CC</sub> - 1.3	V <sub>CC</sub> - 1.1	V
Internal Current Source	I <sub>SINK</sub>	4	5	6	mA
Output Impedance	R <sub>OUT</sub>	40	45	50	Ω
<b>Power Supply</b>					
Power Supply Current	I <sub>EE</sub>		135	170	mA
Positive Supply Voltage	V <sub>CC</sub>	3.0	3.3	3.6	V
Negative Supply Voltage	V <sub>EE</sub>	-3.6	-3.3	-3.0	V

Test Conditions: Outputs unterminated.

### AC Characteristics

Parameter	Symbol	Min	Typ	Max	Units
<b>High Performance Option</b>					
Propagation Delay CLK to OUT (SEL = 0)	T <sub>pd</sub>	490	590	690	ps
CLK to OUT (SEL = 1)	T <sub>pd</sub>	340	440	540	ps
SEL to OUT	T <sub>pd</sub>	330	430	530	ps
Channel to Channel Skew				<20	ps
Maximum Operating Frequency (Note 1)	F <sub>max</sub>	3.0			GHz
Minimum Pulse Width (Note 1)	PW min	160			ps
IN to CLK (Note 1) Set Up Time	T <sub>su</sub>	100			ps
Hold Time	T <sub>h</sub>	100			ps
Output Rise and Fall Times (20% / 80%)	T <sub>r</sub> / T <sub>f</sub>		125	150	ps
Temperature Coefficient	ΔT <sub>pd</sub> / ΔT		<1		ps / °C

Note 1: Guaranteed by characterization. Not production tested.

#### Description

The SK1528 is an extremely fast, stable, and accurate low skew 1:5 clock / signal distributor featuring a synchronous enable, which allows the outputs to be turned off and on without the risk of an unpredictable output pulse. It is also capable of receiving inputs of any technology and voltage level. The D - flip-flop is triggered on the falling edge of the clock.

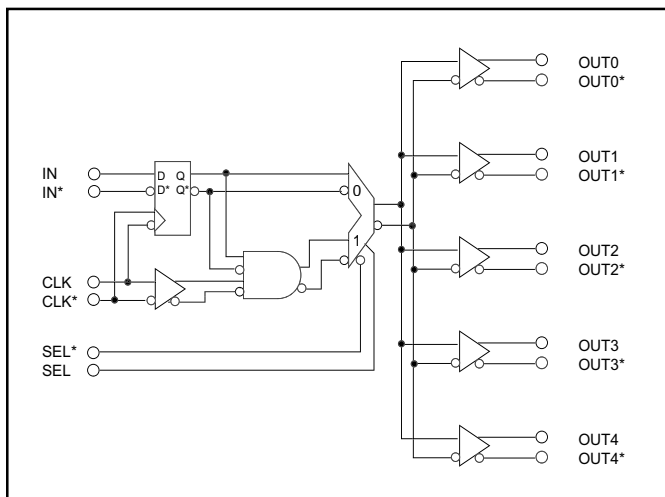
The SK1528 has 50Ω outputs with source /sink capability, and is optimized for:

- High speed clock / data lines that require translation
- Point to point, double termination applications

#### Features

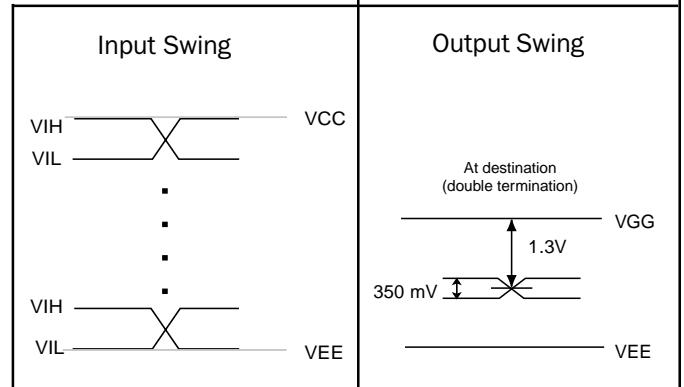
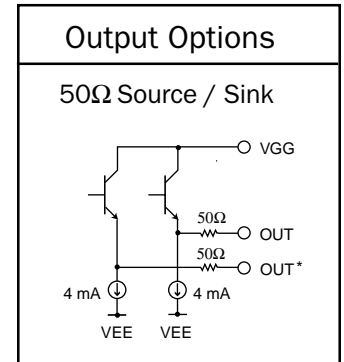
- 1:5 Clock/Data Driver
- 3 GHz Fmax
- Anything to ECL Translation

#### Functional Block Diagram

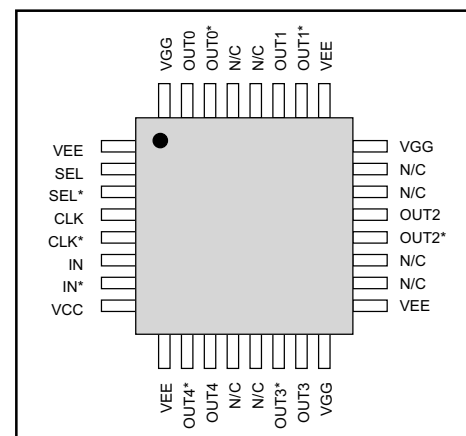


#### Package Information

32 pin, 5 mm x 5 mm  
TQFP Package



#### Pin Description



**DC Characteristics**

Parameter	Symbol	Min	Typ	Max	Units
<b>Inputs</b>					
Input High	V <sub>IH</sub>	V <sub>EE</sub> + 2.0		V <sub>CC</sub>	V
Input Low	V <sub>IL</sub>	V <sub>EE</sub>		V <sub>CC</sub> - .2	V
(IN - IN*, CLK - CLK*, SEL - SEL*) Differential Input Voltage	Input - Input*	.2		4.3	V
Timing Inputs (CLK / CLK*)					
Input High Current	I <sub>IH</sub>	+1		+25	μA
Input Low Current	I <sub>IL</sub>	-1		+1	μA
Functional Inputs (IN / IN*, SEL / SEL*) Input Current	I <sub>IH</sub> , I <sub>IL</sub>	-420		+250	μA
<b>Outputs</b>					
Digital Output Voltage	OUT - OUT*	600	700		mV
Output Common Mode Range	(OUT + OUT*) / 2	V <sub>GG</sub> - 1.5	V <sub>GG</sub> - 1.3	V <sub>GG</sub> - 1.1	V
Internal Current Source	ISINK	4	5	6	mA
Output Impedance	ROUT	40	45	50	Ω
<b>Power Supply</b>					
Power Supply Current	I <sub>EE</sub>		135	170	mA
	I <sub>CC</sub>		45	52	mA
Positive Supply Voltage	V <sub>CC</sub>	2.0	3.3	3.6	V
	V <sub>GG</sub>	-.1	0	2.0	V
Negative Supply Voltage	V <sub>EE</sub>	-3.6	-3.3	-3.0	V
	V <sub>CC</sub> - V <sub>GG</sub>	0		3.6	V

Test Conditions: Outputs unterminated.

**AC Characteristics**

Parameter	Symbol	Min	Typ	Max	Units
<b>High Performance Option</b>					
Propagation Delay					
CLK to OUT (SEL = 0)	T <sub>pd</sub>	490	590	690	ps
CLK to OUT (SEL = 1)	T <sub>pd</sub>	340	440	540	ps
SEL to OUT	T <sub>pd</sub>	330	430	530	ps
Channel to Channel Skew				<20	ps
Maximum Operating Frequency (Note 1)	F <sub>max</sub>	3.0			GHz
Minimum Pulse Width (Note 1)	PW min	160			ps
IN to CLK (Note 1)					
Set Up Time	T <sub>su</sub>	100			ps
Hold Time	T <sub>h</sub>	100			ps
Output Rise and Fall Times (20% / 80%)	T <sub>r</sub> / T <sub>f</sub>		125	150	ps
Temperature Coefficient	ΔT <sub>pd</sub> / ΔT		<1		ps / °C

Note 1: Guaranteed by characterization. Not production tested.

#### Description

The SK1529 is an extremely fast, stable, and accurate low skew 1:5 clock / signal distributor featuring a synchronous enable, which allows the outputs to be turned off and on without the risk of an unpredictable output pulse. It is also capable of receiving inputs of any technology and voltage level. The D - flip-flop is triggered on the falling edge of the clock.

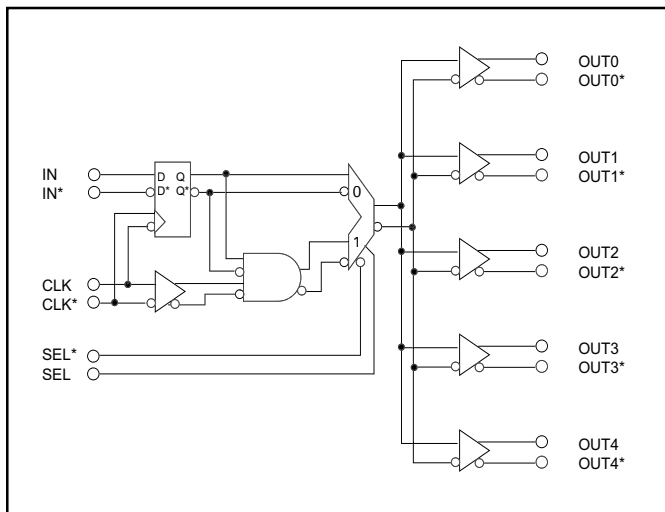
The SK1529 uses 50Ω outputs with source /sink capability, and is optimized for:

- High speed clock / data lines that require translation
- Point to point, series termination applications

#### Features

- 1:5 Clock/Data Driver
- 3 GHz Fmax
- Anything to PECL Translation

#### Functional Block Diagram



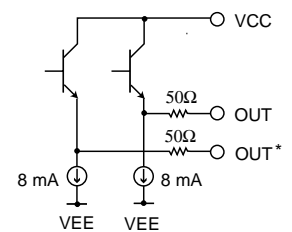
#### Package Information

32 pin, 5 mm x 5 mm  
TQFP Package

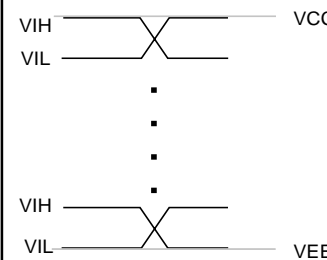


#### Output Options

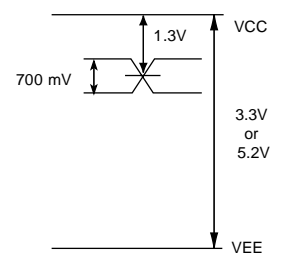
50Ω Source / Sink



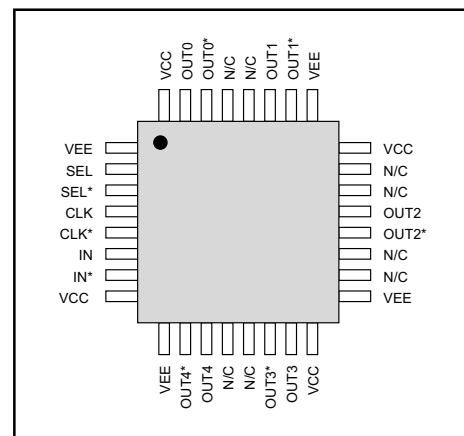
#### Input Swing



#### Output Swing



#### Pin Description





### DC Characteristics

Parameter	Symbol	Min	Typ	Max	Units
<b>Inputs</b>					
Input High	V <sub>IH</sub>	V <sub>EE</sub> + 2.0		V <sub>CC</sub>	V
Input Low	V <sub>IL</sub>	V <sub>EE</sub>		V <sub>CC</sub> - .2	V
(IN - IN*, CLK - CLK*, SEL - SEL*) Differential Input Voltage	Input - Input*	.2		4.3	V
Timing Inputs (CLK / CLK*)					
Input High Current	I <sub>IH</sub>	+1		+25	μA
Input Low Current	I <sub>IL</sub>	-1		+1	μA
Functional Inputs (IN / IN*, SEL / SEL*) Input Current	I <sub>IH</sub> , I <sub>IL</sub>	-420		+250	μA
<b>Outputs</b>					
Digital Output Voltage	OUT - OUT*	600	700	V <sub>CC</sub> - 1.1	mV
Output Common Mode Range	(OUT + OUT*) / 2	V <sub>CC</sub> - 1.5	V <sub>CC</sub> - 1.3	V <sub>CC</sub> - 1.1	V
Internal Current Source	I <sub>SINK</sub>	6.5	8	10	mA
Output Impedance	R <sub>OUT</sub>	40	45	50	Ω
<b>Power Supply</b>					
Power Supply Current	I <sub>EE</sub>		175	221	mA
Positive Supply Voltage	V <sub>CC</sub>	3.0	3.3	3.6	V
Negative Supply Voltage	V <sub>EE</sub>	-3.6	-3.3	-3.0	V

Test Conditions: Outputs unterminated.

### AC Characteristics

Parameter	Symbol	Min	Typ	Max	Units
<b>High Performance Option</b>					
Propagation Delay					
CLK to OUT (SEL = 0)	T <sub>pd</sub>	490	590	690	ps
CLK to OUT (SEL = 1)	T <sub>pd</sub>	340	440	540	ps
SEL to OUT	T <sub>pd</sub>	330	430	530	ps
Channel to Channel Skew				<20	ps
Maximum Operating Frequency (Note 1)	F <sub>max</sub>	3.0			GHz
Minimum Pulse Width (Note 1)	PW min	160			ps
IN to CLK (Note 1)					
Set Up Time	T <sub>su</sub>	100			ps
Hold Time	T <sub>h</sub>	100			ps
Output Rise and Fall Times (20% / 80%)	T <sub>r</sub> / T <sub>f</sub>		125	150	ps
Temperature Coefficient	ΔT <sub>pd</sub> / ΔT		<1		ps / °C

Note 1: Guaranteed by characterization. Not production tested.

#### Description

The SK1530 is an extremely fast, stable and accurate low skew 1:5 clock / signal distributor featuring a synchronous enable, which allows the outputs to be turned off and on without the risk of an unpredictable output pulse. It is also capable of receiving inputs of any technology or voltage level. The D - flip-flop is triggered on the falling edge of the clock.

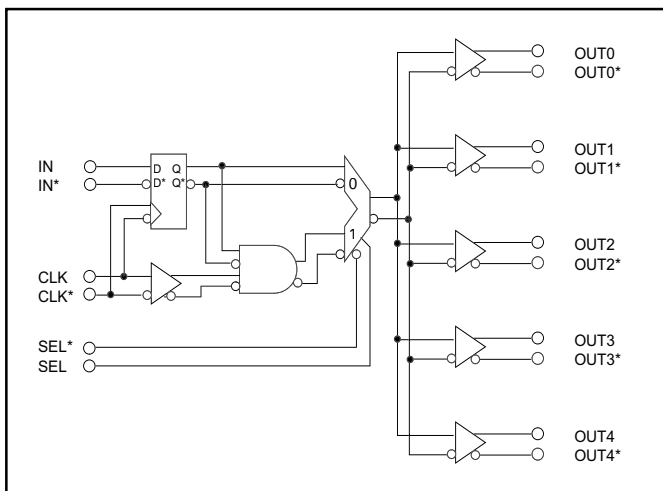
The SK1530 uses 50Ω outputs with source /sink capability, and is optimized for:

- High speed clock / data lines that require translation
- Point to point, series termination applications

#### Features

- 1:5 Clock/Data Driver
- 3 GHz Fmax
- Anything to ECL Translation

#### Functional Block Diagram



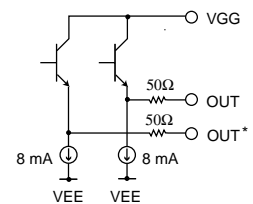
#### Package Information

32 pin, 5 mm x 5 mm  
TQFP Package

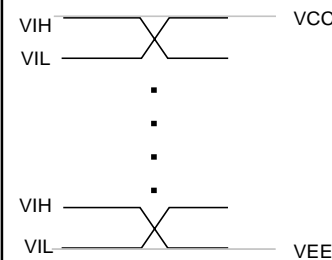


#### Output Options

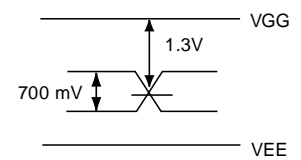
50Ω Source / Sink



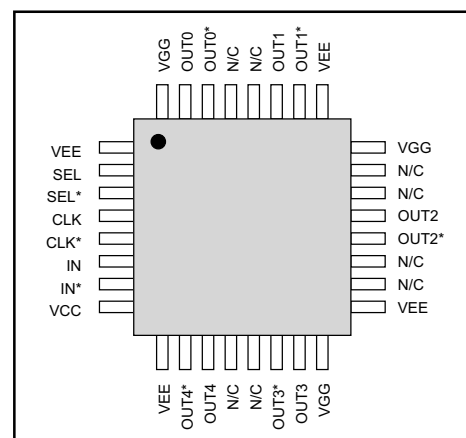
#### Input Swing



#### Output Swing



#### Pin Description



#### DC Characteristics

Parameter	Symbol	Min	Typ	Max	Units
<b>Inputs</b>					
Input High	V <sub>IH</sub>	V <sub>EE</sub> + 2.0		V <sub>CC</sub>	V
Input Low	V <sub>IL</sub>	V <sub>EE</sub>		V <sub>CC</sub> - .2	V
(IN - IN*, CLK - CLK*, SEL - SEL*) Differential Input Voltage	Input - Input*	.2		4.3	V
Timing Inputs (CLK / CLK*)					
Input High Current	I <sub>IH</sub>	+1		+25	μA
Input Low Current	I <sub>IL</sub>	-1		+1	μA
Functional Inputs (IN / IN*, SEL / SEL*) Input Current	I <sub>IH</sub> , I <sub>IL</sub>	-420		+250	μA
<b>Outputs</b>					
Digital Output Voltage	OUT - OUT*	600	700		mV
Output Common Mode Range	(OUT + OUT*) / 2	V <sub>GG</sub> - 1.5	V <sub>GG</sub> - 1.3	V <sub>GG</sub> - 1.1	V
Internal Current Source	I <sub>SINK</sub>	6.5	8	10	mA
Output Impedance	R <sub>OUT</sub>	40	45	50	Ω
<b>Power Supply</b>					
Power Supply Current	I <sub>EE</sub>		175	221	mA
	I <sub>CC</sub>		45	52	mA
Positive Supply Voltage	V <sub>CC</sub>	2.0	3.3	3.6	V
	V <sub>GG</sub>	-1	0	2.0	V
Negative Supply Voltage	V <sub>EE</sub>	-3.6	-3.3	-3.0	V
	V <sub>CC</sub> - V <sub>GG</sub>	0		3.6	V

Test Conditions: Outputs unterminated.

#### AC Characteristics

Parameter	Symbol	Min	Typ	Max	Units
<b>High Performance Option</b>					
Propagation Delay					
CLK to OUT (SEL = 0)	T <sub>pd</sub>	490	590	690	ps
CLK to OUT (SEL = 1)	T <sub>pd</sub>	340	440	540	ps
SEL to OUT	T <sub>pd</sub>	330	430	530	ps
Channel to Channel Skew				<20	ps
Maximum Operating Frequency (Note 1)	F <sub>max</sub>	3.0			GHz
Minimum Pulse Width (Note 1)	PW min	160			ps
IN to CLK (Note 1)					
Set Up Time	T <sub>su</sub>	100			ps
Hold Time	T <sub>h</sub>	100			ps
Output Rise and Fall Times (20% / 80%)	Tr / Tf		125	150	ps
Temperature Coefficient	ΔT <sub>pd</sub> / ΔT		<1		ps / °C

Note 1: Guaranteed by characterization. Not production tested.

#### Description

The SK1599 is an extremely fast, stable, and accurate low skew 1:5 clock / signal distributor featuring a synchronous enable, which allows the outputs to be turned off and on without the risk of an unpredictable output pulse. The D - flip-flop is triggered on the falling edge of the clock.

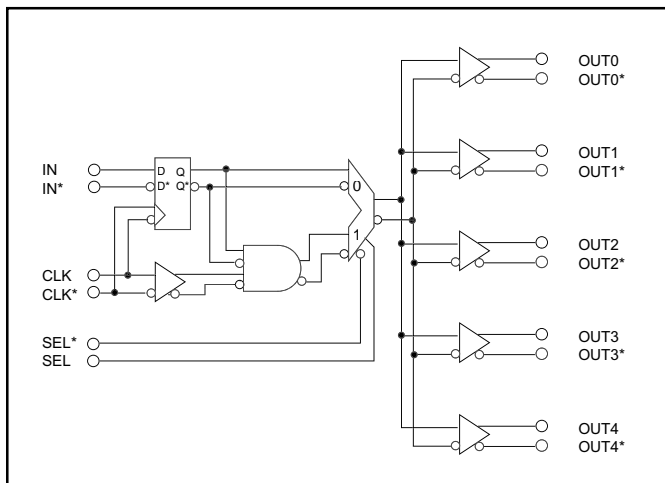
The SK1599 has open collector (CML) outputs, targeted for:

- Ultra high speed applications
- Adjustable common mode levels at the destination.

#### Features

- 1:5 Clock/Data Driver
- 3 GHz Fmax
- 3.3V / 5.2V Compatible

#### Functional Block Diagram



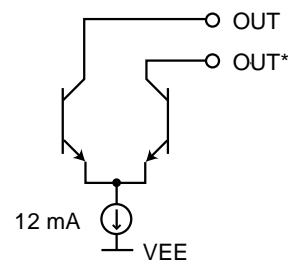
#### Package Information

32 pin, 5 mm x 5 mm  
TQFP Package

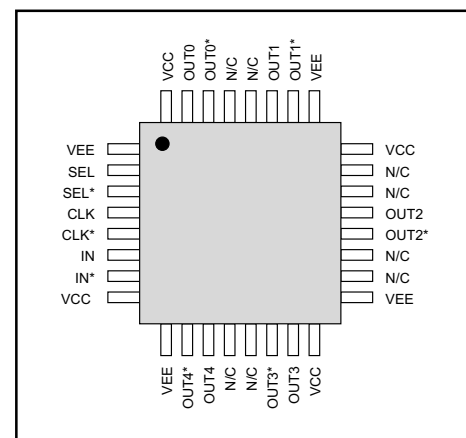


#### Output Options

Open Collector



#### Pin Description



**DC Characteristics**

Parameter	Symbol	Min	Typ	Max	Units
<b>Inputs</b>					
Input High	V <sub>IH</sub>	V <sub>EE</sub> + 2.0		V <sub>CC</sub>	V
Input Low	V <sub>IL</sub>	V <sub>EE</sub>		V <sub>CC</sub> - .2	V
(IN - IN*, CLK - CLK*, SEL - SEL*) Differential Input Voltage	Input - Input*	.2		4.3	V
Timing Inputs (CLK / CLK*)					
Input High Current	I <sub>IH</sub>	+1		+25	μA
Input Low Current	I <sub>IL</sub>	-1		+1	μA
Functional Inputs (IN / IN*, SEL / SEL*) Input Current	I <sub>IH</sub> , I <sub>IL</sub>	-420		+250	μA
<b>Outputs</b>					
Output Current High	I <sub>OH</sub>		0		mA
Output Current Low	I <sub>OL</sub>		12		mA
<b>Power Supply</b>					
Power Supply Current	I <sub>EE</sub>		145	183	mA
Power Supply Voltage	V <sub>CC</sub> - V <sub>EE</sub>	3.0		5.5	V

Test Conditions: Outputs terminated with 50Ω to VCC.

**AC Characteristics**

Parameter	Symbol	Min	Typ	Max	Units
<b>High Performance Option</b>					
Propagation Delay					
CLK to OUT (SEL = 0)	T <sub>pd</sub>	490	590	690	ps
CLK to OUT (SEL = 1)	T <sub>pd</sub>	340	440	540	ps
SEL to OUT	T <sub>pd</sub>	330	430	530	ps
Channel to Channel Skew				<20	ps
Maximum Operating Frequency (Note 1)	F <sub>max</sub>	3.0			GHz
Minimum Pulse Width (Note 1)	PW min	160			ps
IN to CLK (Note 1)					
Set Up Time	T <sub>su</sub>	100			ps
Hold Time	T <sub>h</sub>	100			ps
Output Rise and Fall Times (20% / 80%)	T <sub>r</sub> / T <sub>f</sub>		125	150	ps
Temperature Coefficient	ΔT <sub>pd</sub> / ΔT		<1		ps / °C

Note 1: Guaranteed by characterization. Not production tested.

### Ordering Information

Ordering Code	Package ID	Temperature Range
SK1500	32 - TQFP 5 X 5 mm	Commercial
SK1501	32 - TQFP 5 X 5 mm	Commercial
SK1502	32 - TQFP 5 X 5 mm	Commercial
SK1503	32 - TQFP 5 X 5 mm	Commercial
SK1504	32 - TQFP 5 X 5 mm	Commercial
SK1525	32 - TQFP 5 X 5 mm	Commercial
SK1526	32 - TQFP 5 X 5 mm	Commercial
SK1527	32 - TQFP 5 X 5 mm	Commercial
SK1528	32 - TQFP 5 X 5 mm	Commercial
SK1529	32 - TQFP 5 X 5 mm	Commercial
SK1530	32 - TQFP 5 X 5 mm	Commercial
SK1599	32 - TQFP 5 X 5 mm	Commercial

Note: For tape and reel, add the letter "T" at the end of Ordering Code.

Device Type	Tape Width (mm)	Max Device/Reel	Reel Size (inch)	Max Device/Tube
PLCC-28	24	750	13	37
SOIC-8	12	2,500	13	98
SOIC-16	16	2,500	13	49
SOIC-20	24	1,000	13	38
MSOP-8	12	2,500	13	50
MSOP-10	12	2,500	13	50
LQFP-32 (7 x 7 mm)	16	1,000	13	250 (tray)
TQFP-32 (7 x 7 mm)	16	1,000	13	250 (tray)
TQFP-32 (5 x 5 mm)	16	1,000	13	360 (tray)

### Contact Information

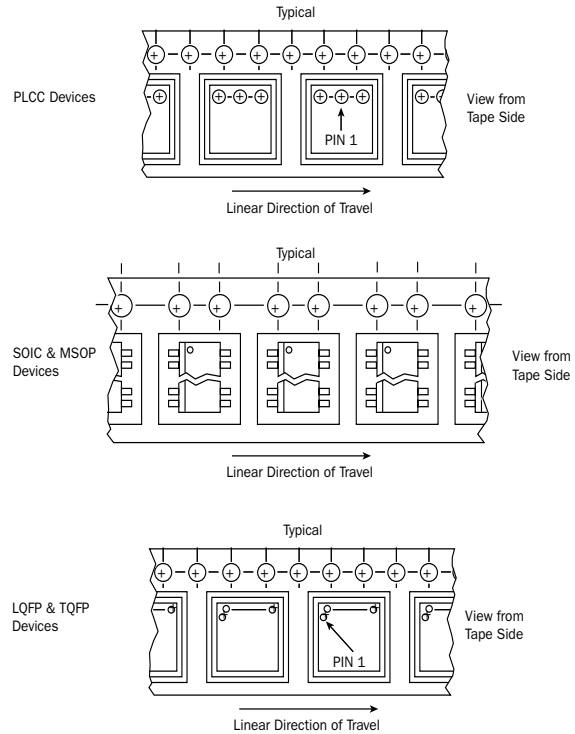
Division Headquarters  
10021 Willow Creek Road  
San Diego, CA 92131  
Phone (858) 695-1808  
FAX (858)695-2633

### Semtech Corporation High-Performance Products Division

Marketing Group  
1111 Comstock Street  
Santa Clara, CA 95054  
Phone: (408) 566-8776  
FAX: (408) 727-8994

### Tape and Reel

Semtech's tape and reel packaging fully conforms to the latest EIA-481-1A and EIA-481-2A specifications. The antistatic embossed tape provides a secure cavity sealed with a peel-back cover tape.



### Ordering Information

To order devices which are to be delivered in Tape and Reel, add the suffix T to the device number being ordered.