



DTC143X

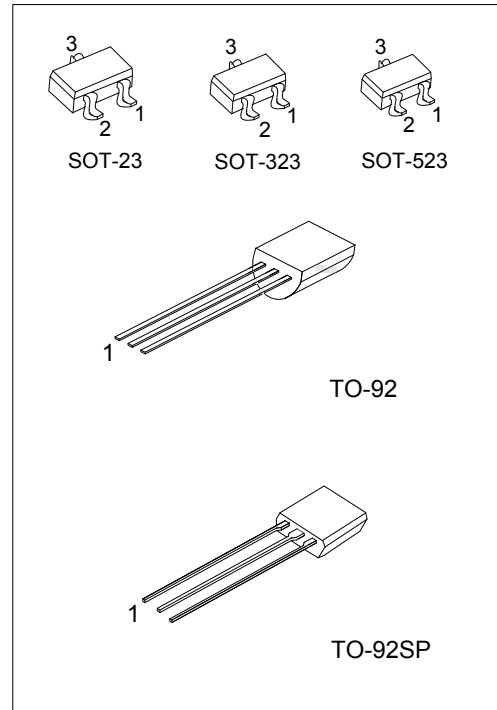
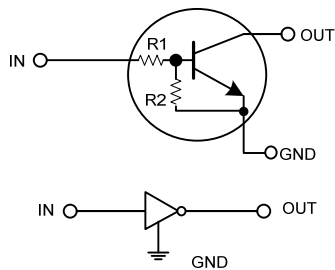
NPN DIGITAL TRANSISTOR

NPN DIGITAL TRANSISTOR (BUILT-IN RESISTORS)

FEATURES

- * Built-in bias resistors that implies easy ON/OFF applications.
- * The bias resistors are thin-film resistors with complete isolation to allow negative input.

EQUIVALENT CIRCUIT

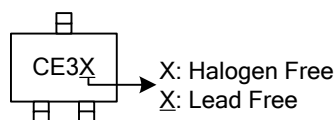


ORDERING INFORMATION

Ordering Number		Package	Pin Assignment			Packing
Lead Free	Halogen Free		1	2	3	
DTC143XL-AE3-R	DTC143XG-AE3-R	SOT-23	E	B	C	Tape Reel
DTC143XL-AL3-R	DTC143XG-AL3-R	SOT-323	E	B	C	Tape Reel
DTC143XL-AN3-R	DTC143XG-AN3-R	SOT-523	E	B	C	Tape Reel
DTC143XL-T92-B	DTC143XG-T92-B	TO-92	E	B	C	Tape Box
DTC143XL-T92-K	DTC143XG-T92-K	TO-92	E	B	C	Bulk
DTC143XL-T92-R	DTC143XG-T92-R	TO-92	E	B	C	Tape Reel
DTC143XL-T9S-K	DTC143XL-T9S-K	TO-92SP	E	B	C	Bulk

<p>DTC143XL-AE3-R</p> <p>(1) Packing Type (2) Package Type (3) Lead Free</p>	<p>(1) B: Tape Box, K: Bulk, R: Tape Reel (2) AE3: SOT-23, AL3: SOT-323, AN3: SOT-523, T92: TO-92, T9S: TO-92SP (3) G: Halogen Free, L: Lead Free</p>
--	---

MARKING(For SOT Package)



■ ABSOLUTE MAXIMUM RATINGS ($T_A=25^\circ\text{C}$, unless otherwise specified)

PARAMETER		SYMBOL	RATINGS	UNIT
Supply Voltage		V_{CC}	-50	V
Input Voltage		V_{IN}	-7 ~ +20	V
Output Current		I_O	100	mA
		$I_{C(MAX)}$	100	
Power Dissipation	SOT-23/SOT-323	P_D	200	mW
	SOT-523		150	
	T0-92		625	
	TO-92SP		550	
Junction Temperature		T_J	150	$^\circ\text{C}$
Storage Temperature		T_{STG}	-55 ~ +150	$^\circ\text{C}$

Note: 1. Absolute maximum ratings are those values beyond which the device could be permanently damaged. Absolute maximum ratings are stress ratings only and functional device operation is not implied.

■ ELECTRICAL CHARACTERISTICS ($T_A=25^\circ\text{C}$)

PARAMETER	SYMBOL	TEST CONDITIONS	MIN	TYP	MAX	UNIT
Input Voltage	$V_{I(OFF)}$	$V_{CC}=5V, I_O=100\mu A$			0.3	V
	$V_{I(ON)}$	$V_O=0.3V, I_O=20mA$	2.5			
Output Voltage	$V_{O(ON)}$	$I_O/I_I=10mA/0.5mA$		0.1	0.3	V
Input Current	I_I	$V_I=5V$			1.8	mA
Output Current	$I_{O(OFF)}$	$V_{CC}=50V, V_I=0V$			0.5	μA
DC Current Gain	G_I	$V_O=5V, I_O=10mA$	30			
Input Resistance	R_I		3.29	4.7	6.11	K Ω
Resistance Ratio	R_2/R_1		1.7	2.1	2.6	
Transition Frequency	f_T	$V_{CE}=10V, I_E=-5mA, f=100MHz$ (Note)		250		MHz

Note: Transition frequency of the device

UTC assumes no responsibility for equipment failures that result from using products at values that exceed, even momentarily, rated values (such as maximum ratings, operating condition ranges, or other parameters) listed in products specifications of any and all UTC products described or contained herein. UTC products are not designed for use in life support appliances, devices or systems where malfunction of these products can be reasonably expected to result in personal injury. Reproduction in whole or in part is prohibited without the prior written consent of the copyright owner. The information presented in this document does not form part of any quotation or contract, is believed to be accurate and reliable and may be changed without notice.