

FEATURES AND SPECIFICATIONS

Features and Benefits

- Spring-loaded male contacts that prevent damage to the female contact
- Rated for 1000's of mating cycles
- Recommended for continuity testing
- Minimizes expense and downtime for test plug replacement

Reference Information

Product Specification: PS-44281
 Packaging Type: Bag
 UL File No.: E29179
 File No.: LR19980
 Mates with: [43838](#)
 Use with: [5557](#) and [42474](#)
 Designed In: Inches

Electrical

Electrical Voltage: 600V
 Dielectric Withstanding Voltage: No breakdown
 Insulation Resistance: 1000 MΩ min.

Mechanical

Contact Insertion Force: 142g
 Durability: 10,000 cycles

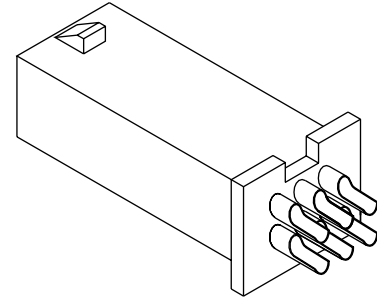
Physical

Housing: 4/6 nylon, UL 94V-0
 Contact: Beryllium Copper
 Plating: Gold
 Operating Temperature: -40 to +105°C

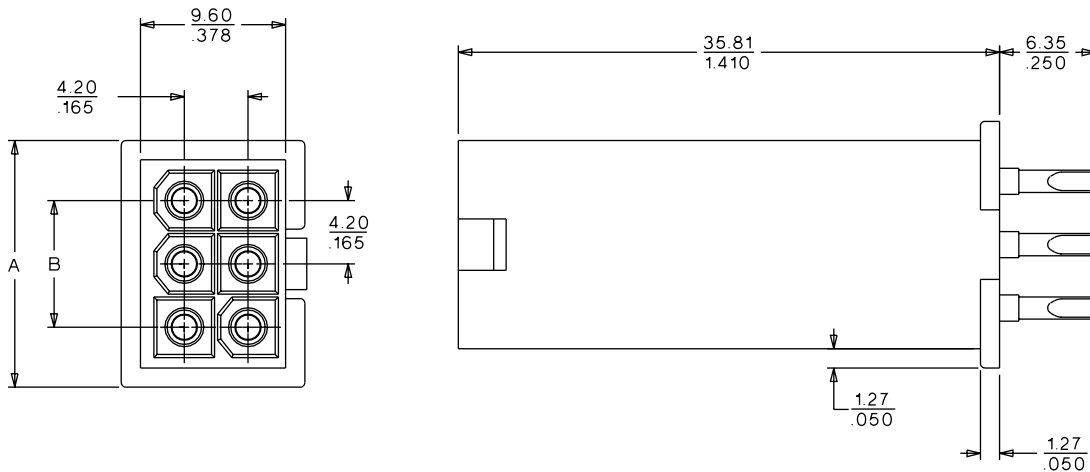


4.20mm (.165") Pitch Mini-Fit™ Test Plug

44281 Dual Row



CATALOG DRAWING (FOR REFERENCE ONLY)



ORDERING INFORMATION AND DIMENSIONS

Circuits	Order No.	Dimension	
		A	B
4	44281-0001	9.60 (.378)	4.20 (.166)
6	44281-0002	13.80 (.543)	8.40 (.331)
8	44281-0003	18.00 (.709)	12.60 (.496)
10	44281-0004	22.20 (.874)	16.80 (.661)
12	44281-0005	26.40 (1.039)	21.00 (.827)
14	44281-0006	30.60 (1.205)	25.20 (.992)
16	44281-0007	34.80 (1.370)	29.40 (1.157)
18	44281-0008	39.00 (1.535)	33.60 (1.323)
20	44281-0009	43.20 (1.701)	37.80 (1.488)
22	44281-0010	47.40 (1.866)	42.00 (1.654)
24	44281-0011	51.60 (2.031)	46.20 (1.819)
36	44281-0012	76.80 (3.023)	71.40 (2.810)
40	44281-0013	85.20 (3.353)	79.80 (3.140)

Important: Mini-Fit test plugs cannot be mated or unmated under load. All current must be shut off prior to mating or unmating. Product is intended for low level continuity testing only.