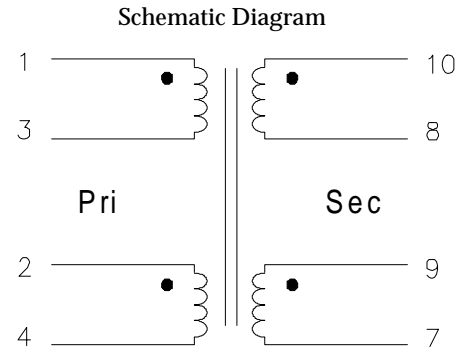


RADSL Transformer

Reinforced Insulation Per EN 41003/EN 60950

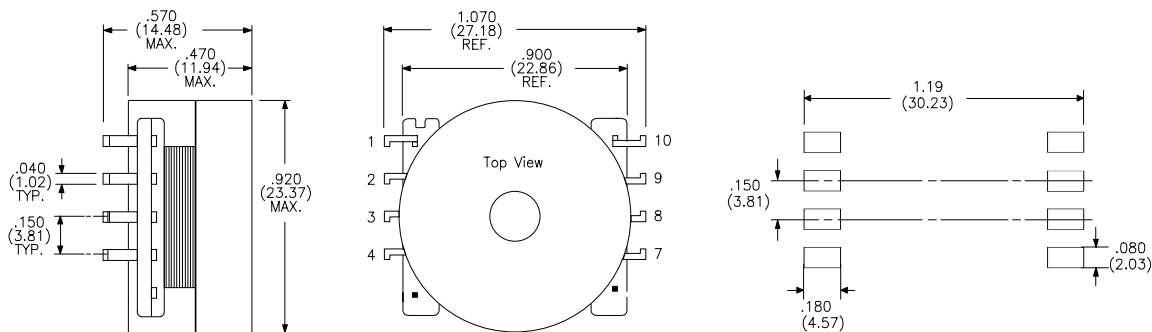
Turns Ratio (± 3 %)		1 : 1	
PARAMETER	MIN.	MAX.	UNITS
Primary Inductance ⁽¹⁾ Pins 1-4 with 2 & 4 shorted.	350	465	μH
Leakage Inductance ⁽¹⁾		10	μH
Interwinding Capacitance ⁽¹⁾		25	pF
Primary DC Resistance Pins 1-3 or 2-4		0.25	ohms
Secondary DC Resistance Pins 10-8, or 9-7		0.3	ohms
Isolation (Hi-Pot)	3000		V _{RMS}
DC Bias		2	mA
Insertion Loss 40 kHz to 1.5 MHz		0.5	dB
Insertion Loss 30 kHz to 2.0 MHz		3	dB
Longitudinal Balance 20 KHZ to 1 MHZ	-60		dB
THD	-60 dB Nom.	45 Vp-p @ 1.5 MHz	
THD	-85 dB Nom.	15 Vp-p @ 100 KHz	



This part is available in
Surface Mount.
Add Suffix "G"
to part number.

Physical
Dimensions
inches (mm)

1. Tested at 100 KHZ & 100 mV



Unused Pins
Omitted

RHOMBUS P/N: T-890G	
CUST P/N:	NAME: GLOBESPAN
DATE: 2/3/97	SHEET: 1 of 1