

NOTES: UNLESS OTHERWISE SPECIFIED
 1. FOR GENERAL SERIES SPECIFICATIONS, SEE SD45-0000.

2. MATERIAL SPECIFICATIONS:
 ALL METAL PARTS: COPPER ALLOY
 INSULATOR: TEFLON PER ASTM D1710

3. FINISH SPECIFICATIONS:
 CENTER CONTACT: .000030 MIN. GOLD PER ASTM B4888 OVER
 .000100 MIN. COPPER PER ASTM B734
 BODY: .000015 MIN. GOLD PER ASTM B4888 OVER
 .000100 MIN. COPPER PER ASTM B734
 ALL OTHER METAL PARTS: .000100 MIN. TIN PER ASTM B545 OVER
 COPPER FLASH

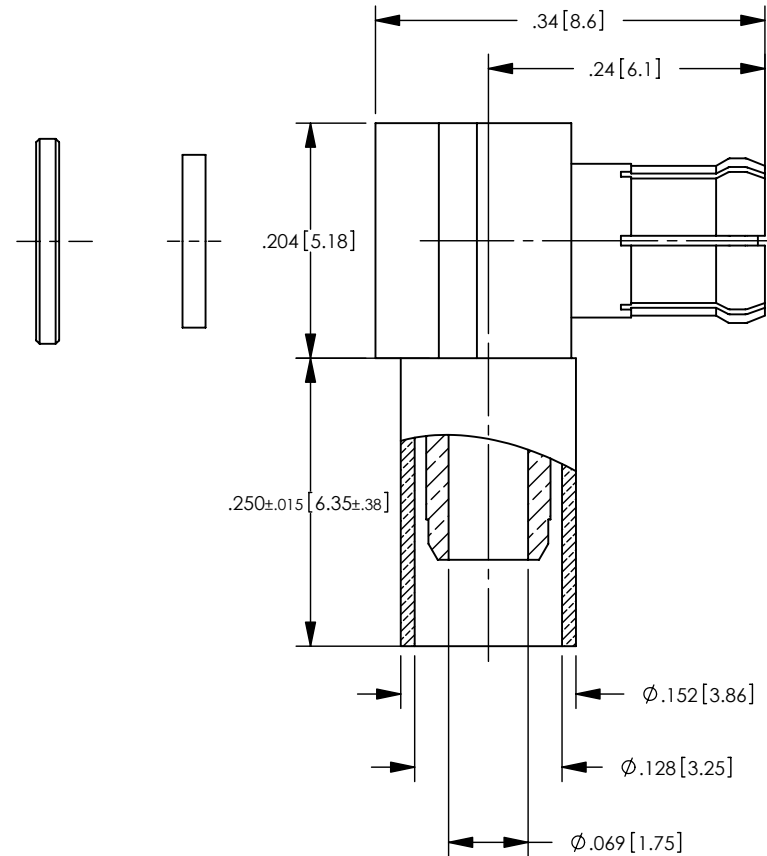
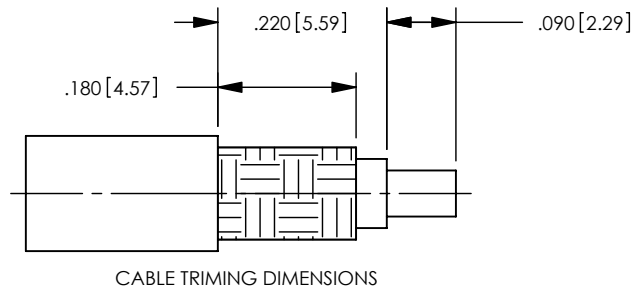
4. ELECTRICAL SPECIFICATIONS:
 IMPEDANCE: 50 OHMS
 FREQUENCY RANGE: DC TO 3GHz
 NON-MAGNETIC

5. FOR USE WITH RG-316 CABLE OR EQUIVALENT.

6. FOR CABLING PROCEDURES USE CAP 9-09 WITH TRIMMING DIMENSIONS SHOWN.

7. CRIMP FERRULE USING .128 HEX. DIE.

REV	DESCRIPTION	BY	DATE	APPD
G	REVISED PER ECR-ER4065	CWB	09/11/07	DCAM



CATALOG P/N: 452-900-0630J

PER ASME Y14.5M-1994 UNLESS OTHERWISE SPECIFIED: DIMENSIONS ARE IN INCHES [MM] TOLERANCES: DECIMAL: .XX [X.X] ± .01 [0.3] .XXX [X.XX] ± .005 [0.13] .XXXX [X.XXX] ± .XXXX ANGLES: ± 2° SCALE: 4:1				 Winchester Electronics Corporation 62 Barnes Industrial Road North Wallingford, Connecticut 06492	
CUSTOMER DRAWING			 MCX RIGHT ANGLE PLUG		
DRAWN	DATE	APPROVED	DATE	A	SD452-900-0630J
CWB	09/11/07	SD	03/13/03		
APPROVED	DATE	APPROVED	DATE	SHT 1 OF 1	REV G
JEM	03/12/03	KJT	03/12/03		