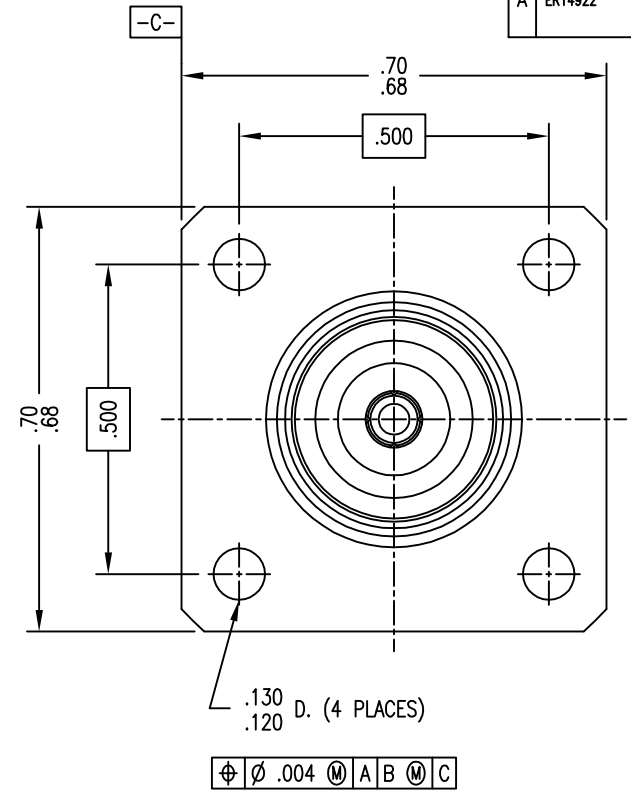
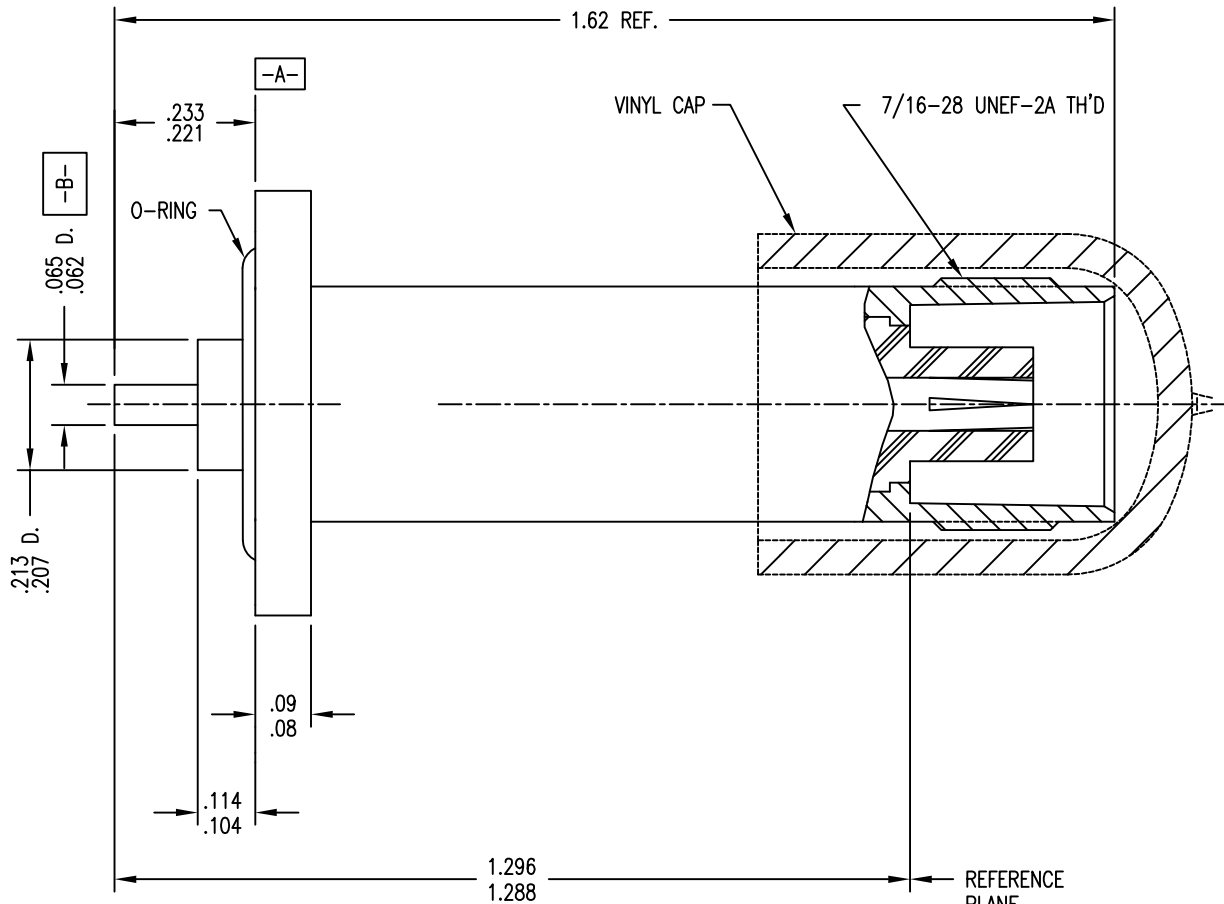


REV	DESCRIPTION	BY DATE	APPD
A	ER14922	PSM 06/08/09	DCam



NOTES:

1. INTERFACE TO BE IN ACCORDANCE WITH MIL-STD-348 FIG. 313-2.
2. MATERIALS:
  - INSULATOR-TEFLON, ASTM-D-4894
  - CENTER CONTACT-BER. COP., ASTM-B-196
  - O-RING-SILICONE RUBBER, ZZ-R-765
  - BODY-BRASS, ASTM-B16
3. FINISHES:
  - CENTER CONTACT-GOLD PLATE PER ASTM B488
  - BODY-NICKEL PLATE PER AMS-QQ-N-290
4. ELECTRICAL CHARACTERISTICS:
  - VSWR: 1.07 MAX.
  - NOMINAL IMPEDANCE-50 OHMS
  - FREQUENCY RANGE-DC TO 1.10 GHZ
  - WORKING VOLTAGE-500 VOLTS RMS

REFERENCE PLANE  
(SEE NOTE 1)

CATALOG P/N: 0127-050-00401N

PER ASME Y14.5M-1994 UNLESS OTHERWISE SPECIFIED: DIMENSIONS ARE IN INCHES [MM]		by WINCHESTER ELECTRONICS		Winchester Electronics 62 Barnes Industrial Road North Wallingford, CT 06492	
TOLERANCES: DECIMALS .XX ± .01/0.254 .XXX ± .005/0.127 ANGLES ± 2° SCALE: N/A					
CUSTOMER DRAWING				A SD0127-050-00401N	
DRAWN PSM	DATE 04/15/09	CHECKED WPM	DATE 04/15/09	SHT. OF 1 1	REV. A
APPROVED DCam	DATE 04/15/09	APPROVED RL	DATE 04/15/09		