

### Specifications

System	
Form Factor	PCI Half-Size SBC
Processor	AMD Geode™ LX800
System Memory	Onboard 256 MB DDR400 Memory
Chipset	AMD Geode™ LX800 + CS5536
Ethernet	10/100Base-TX, RJ-45 x 1 Realtek 8100C controller
BIOS	Award Plug & Play FWH BIOS-8 Mb ROM
Expansion Interface	PCI
Watchdog Timer	1 ~ 255 steps, can be set with software on Super I/O
RTC	Internal RTC
Battery	Lithium battery
Power Requirement	ATX 5V,12V, 4-Pin power connector
Operating Temperature	32°F ~ 140°F (0°C ~ 60°C)
Board Size	7.3" (L) x 4.8"(W)(185mm x 122mm)
Gross Weight	0.61 lb (0.3 kg)
MTBF (Hours)	78,000
Power Consumption (Typical)	7.6W
Display	
Supports CRT/ LCD simultaneous display	
VGA Controller	AMD Geode™ LX800
Memory	Shared memory up to 16 MB
Resolutions	1600 x 1200@32bpp at 100 MHz for CRT 1600 x 1200@24bpp for LVDS
LCD Interface	24-bit only, Single Channel LVDS LCD Support
I/O	
AMD CS5536 + ITE IT8712F	
Storage	ATA33 (Slave) x 1 Standard FDD port x 1 CompactFlash™ Type 2 connector (Master) x 1 Onboard SATA 1.5Gb/s x 2 by SiI3212
Serial Port	COM Port x 4 (Internal Pin Header x 3; Rear I/O x 1) COM 1 (Rear I/O), COM 3, COM 4 : RS-232 COM 2 : RS-232/422/485
Parallel Port	Supports SPP/EPP/ECP mode
Universal Serial Bus	USB2.0 x 4 (pin header x 4)
PS/2 Port	Mini-DIN PS/2 x 1, Keyboard & Mouse connector (Rear I/O) Internal keyboard Box header x 1
Audio (Daughter Board)	AC 97 Codec

### Features

- AMD Geode™ LX800 Processor
- AMD Geode™ LX800 + CS5536
- Onboard 256 MB DDR400 Memory
- 10/100Base-TX x 1
- Integrated 2D Graphics Accelerator, VGA/LVDS Support
- AC97 Audio Codec (Optional)
- Ultra ATA33 x 1, SATA 1.5Gb/s x 2, CompactFlash™ Type 2 x 1
- USB2.0 x 4, RS-232 x 3, RS-232/422/485 x 1, Parallel x 1, Digital I/O
- PCI Expansion
- +5V, +12V Operation, ATX Support



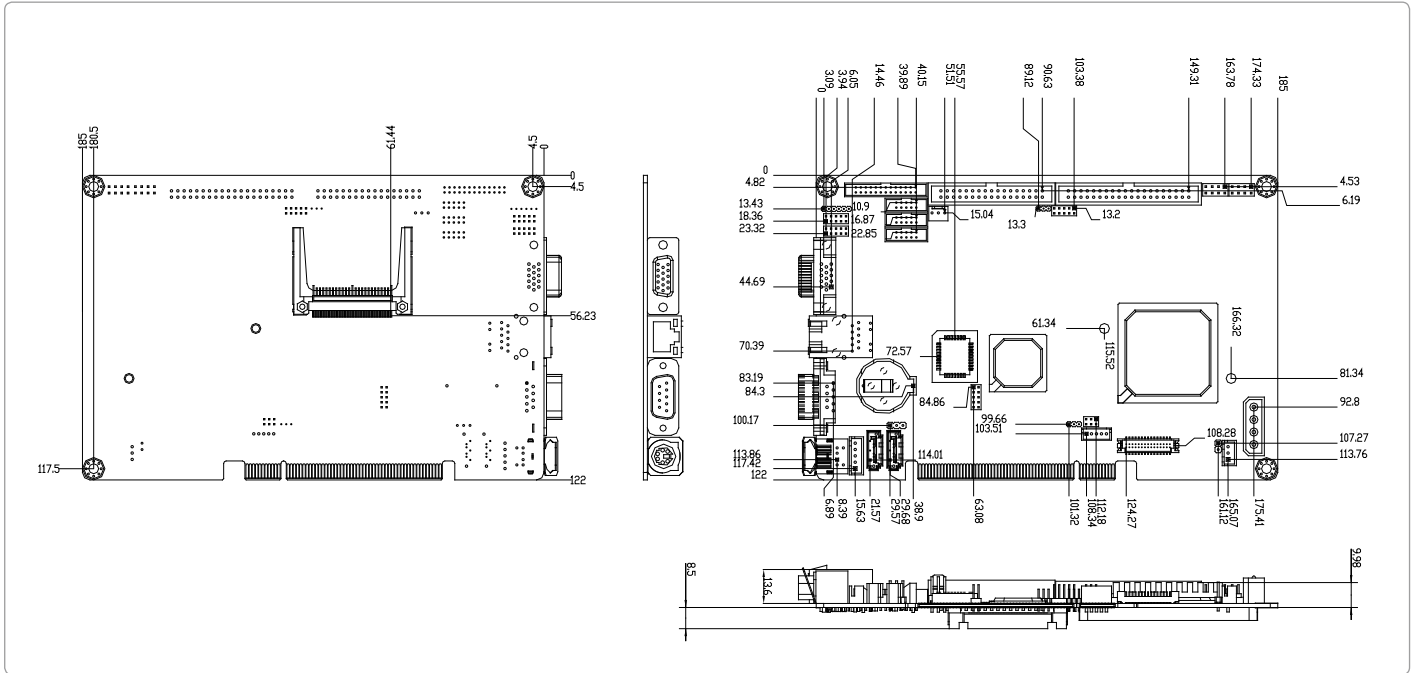
### Packing List

- **1701340704**  
Flat Cable, 34P, 70cm, Gray for FDD
- **1701400453**  
Cable, 40P 2.54mm IDC W/Nose W/Fold, 40P 2.54mm IDC W/Nose W/Fold, 45cm, Blue ATA-100
- **1700060192**  
Cable, 6P-6P-6P, 19cm, Ivory PS2/KB & Mouse
- **1703030501**  
Wire, 3P 2.5mm Housing, 3P 2.5mm Housing, 50cm
- **1701260307**  
Flat Cable, 9P/DB9P Male & 25P DB25P Female, 10P 2mm & 26P 2mm/IDC NO Fold, 30cm, W/Bracket, A002-015
- **1701100305**  
Flat Cable, 9P/DB9P Male, 10P/2.0mm Pitch/IDC NO FOLD, 30cm, W/Bracket
- **1709100201**  
Usb Cable, 20cm, 2.0mm, W/Bracket
- **1709070800**  
SATA CABLE, 7P Pitch 1.27mm, 80cm, W/Lock
- **Product CD**
- **HSB-800P**

# HSB-800P

## Dimension

Unit: mm



## Passive Backplane Options

P/N	Description	Master Interface	Slots (PCI/ ISA/ PICMG_PCI)	Power ATX Extend Function
BP-204SP-P3-A11	Wallmount, 4-slot Backplanes, 3 PCI, Single Segment, AT/ATX	PCI	(3/0/1)	AT/ATX
BP-205SP-P4-A12	Wallmount, 5-slot Backplanes, 4 PCI, Single Segment, AT/ATX	PCI	(4/0/1)	AT/ATX
BP-206SP-P4-A10	Wallmount, 6-slot Backplanes, 4 PCI, Single Segment, AT/ATX	PCI	(4/0/2)	AT/ATX

## Ordering Information

Part Number	CPU	RAM	Fan/Fanless	Display	Storage	LVDS	LAN	USB	RS-232	RS-232/422/485	Expansion Slot	Power	Temp.
TF-HSB-800P-A10-VE	AMD Geode™ LX800	SODIMM	Fanless	VGA + LVDS	SATA2 x 2, IDE x 1, Floppy x 1, CFx 1	18/24-bit Single Channel	FE x 1	USB2.0 x 4	3	1	PCI	ATX, +5, +12V	0°C ~ 60°C

## Optional Accessories

- TF-PER-U00A  
AC 97 Codec Daughter Board