

- Cw/w: 25PF Typ @ 100KHz, 200mV
- LL: 0.5µH Max @ 100KHz, 200mV
- DCR: 1.1Ω Max
- Operating Temp: 0°C to 70°C

Electrical Specifications @ 25°C

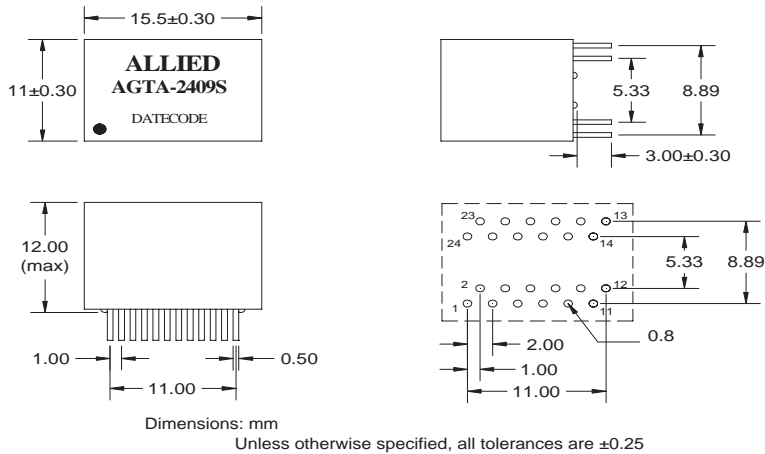
Part Number	OCL(µH Min) @ 100kHz, 200mV	Turns Ratio chip: cable (±5%)	Insertion Loss (dB Max)	Return Loss (dB Min)				
	With 8mA DC Bias			1-100MHz	1-30MHz	40MHz	50MHz	60-80MHz
AGTA-2409S	350	1CT:1CT	-1.1	-18	-14.4	-13.1	-12	

Electrical Specifications @ 25°C

Part Number	Common Mode Rejection (dB Min)			Cross Talk (dB Min)		Isolation HI-POT (Vrms)
	30MHz	60MHz	80-100MHz	30MHz	60-100MHz	
AGTA-2409S	-40	-35	-30	-35	-30	1500

All specifications subject to change without notice.

MECHANICAL



SCHEMATICS

