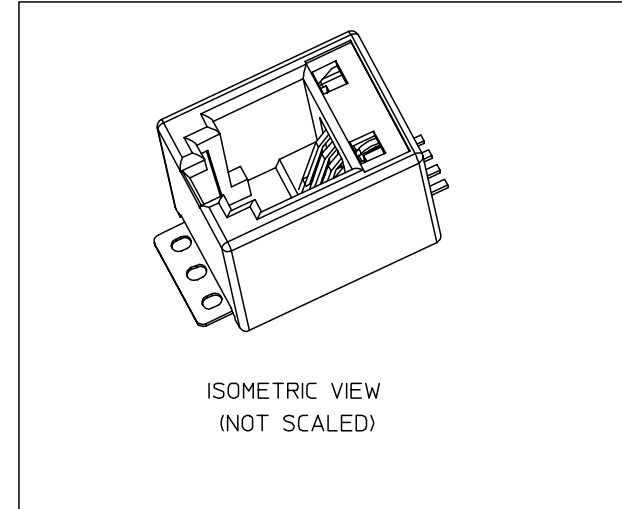
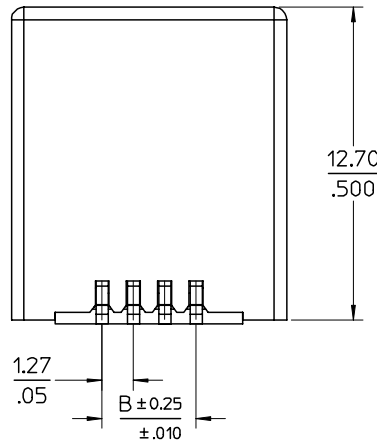
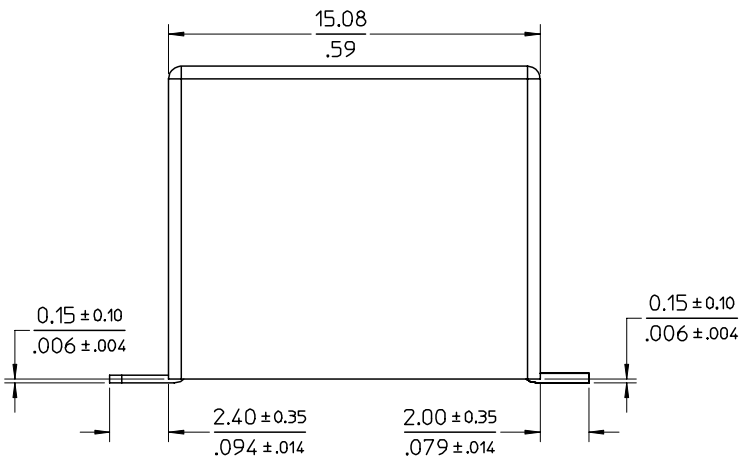
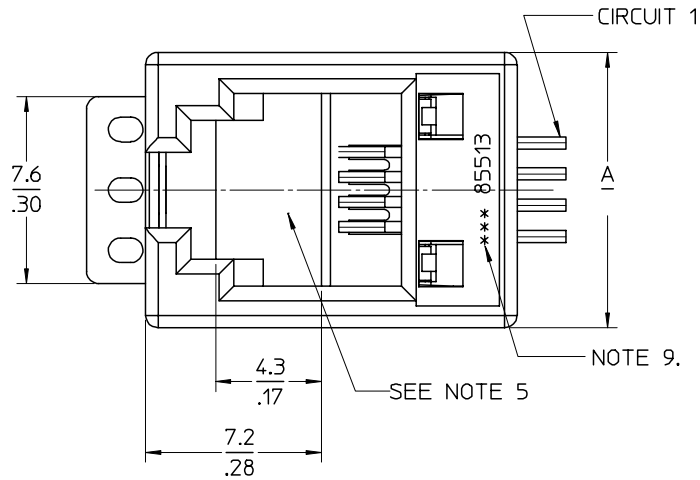


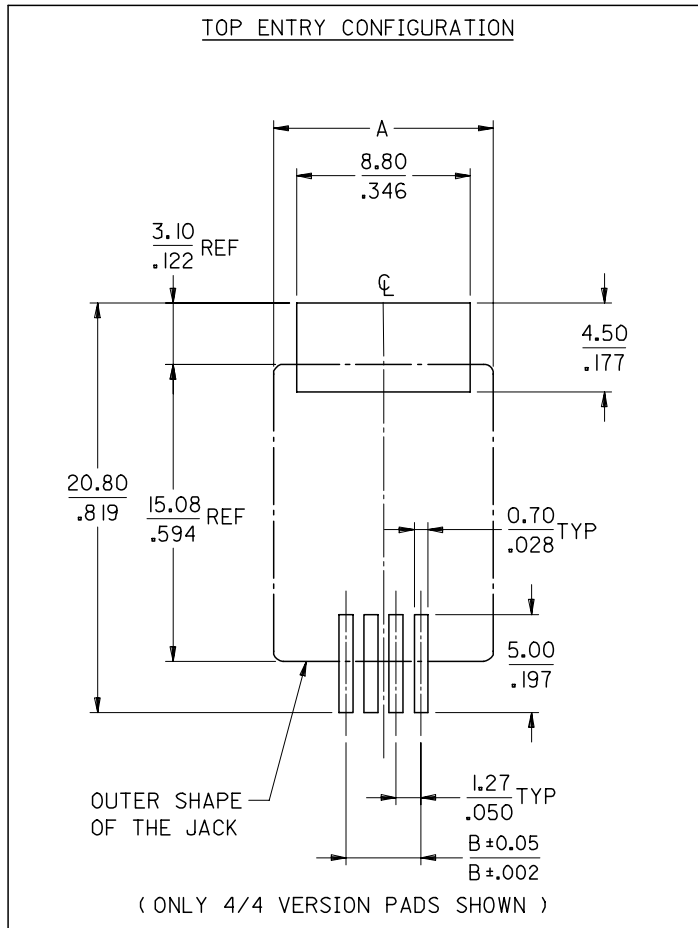
NOTES:

- 1- MATERIAL:
 - HOUSING:LCP GLASS FILLED UL 94-V0, COLOUR BLACK,
 - TERMINAL: BRASS PLATED WITH: 0.00127/.000050 MIN GOLD IN CONTACT AREA, 0.00190/.000075 MIN PURE TIN IN TAIL AREA, BOTH OVER 0.00127/.000050 MIN NICKEL OVERALL.
- 2- JACK FOR MATING WITH F.C.C.68 PLUGS (MOLEX 90075 SERIES).
- 3- PRODUCT SPECIFICATION: PS-85513-002.
- 4- PACKAGING SPECIFICATION (SEE CHART SHEET2):
 - PK-85513-001 SHEET 3 (BLISTER ON REEL 13")
 - PK-85513-001 SHEET 1 (BLISTER ON REEL 15")
 - PK-85513-001 SHEET 2 (BLISTER ON REEL 22")
- 5- FLAT SURFACE ON BOTH SIDES FOR PICK AND PLACE PURPOSE
- 6- COPLANARITY OF LEADS AND TABS: 0.10/.004 MAX
- 7- SEE RECOMMENDED PCB LAYOUT ON SHEET 2
- 8- FOR DRAWING PURPOSE, ONLY 4/4 VERSION SHOWN.
- 9- MANUFACTURING I.D CAN BE EITHER MXF,MG OR MXI.
- 10- APPLICATION SPEC AS-85513-001



| | | | | | | | | |
|---|--|--------------------|-----------------------------------|--|-----------------|---|--------------|------------------------|
| MODIFIED MATERIAL. EC NO: E2007-0716 DRWN:DBYRNES CHKD: APPR:EOMAHONY | 2007/02/15 2007/02/15 2007/02/15 | DESCRIPTION REV | QUALITY SYMBOLS | GENERAL TOLERANCES (UNLESS SPECIFIED) | DIMENSION STYLE | SCALE | DESIGN UNITS | THIRD ANGLE PROJECTION |
| | | | $\nabla=0$ $\sphericalangle=0$ | mm INCH 4 PLACES ± --- ± --- 3 PLACES ± --- ± .006 2 PLACES ± 0.15 ± .010 1 PLACE ± 0.25 ± --- ANGULAR ± 2 ° | MM/IN | 5:1 | METRIC | |
| | | | | | DRAWN BY | DATE | TITLE | |
| | | | | | CHECKED BY | DATE | | |
| | | | | EOMAHONY | 2006/08/17 | LOW PROFILE TOP ENTRY TRUE SMT JACK WITH P&P SURFACE(SHORT VERSION) | | |
| | | | | EOMAHONY | 2006/08/17 | MOLEX INCORPORATED | | |
| | | | | | | MATERIAL NO. | DOCUMENT NO. | SHEET NO. |
| | | | | | | SEE CHART | SD-85513-010 | 1 OF 2 |
| | | | | | | THIS DRAWING CONTAINS INFORMATION THAT IS PROPRIETARY TO MOLEX INCORPORATED AND SHOULD NOT BE USED WITHOUT WRITTEN PERMISSION | | |

RECOMMENDED PCB LAYOUTS
(SEE FROM COMPONENT SIDE)



| PART. NO. | HOUSING SIZE | LOADED CKTS | TOOLED | A | B | PACKAGING | PACKAGING SPEC. |
|------------|--------------|-------------|--------|---------------|--------------|---------------------|----------------------|
| 85513-5013 | 8 | 8 | YES | 15.24 .600 | 8.89 .350 | BLISTER ON REEL 13" | PK-85513-001 SHEET 3 |
| 85513-5001 | | | YES | | | BLISTER ON REEL 15" | PK-85513-001 SHEET 1 |
| 85513-5009 | | | YES | | | BLISTER ON REEL 22" | PK-85513-001 SHEET 2 |
| 85513-5014 | 6 | 6 | YES | 13.21 .520 | 6.35 .250 | BLISTER ON REEL 13" | PK-85513-001 SHEET 3 |
| 85513-5002 | | | YES | | | BLISTER ON REEL 15" | PK-85513-001 SHEET 1 |
| 85513-5010 | | | YES | | | BLISTER ON REEL 22" | PK-85513-001 SHEET 2 |
| 85513-5015 | 6 | 4 | YES | 13.21 .520 | 3.81 .150 | BLISTER ON REEL 13" | PK-85513-001 SHEET 3 |
| 85513-5003 | | | YES | | | BLISTER ON REEL 15" | PK-85513-001 SHEET 1 |
| 85513-5011 | | | YES | | | BLISTER ON REEL 22" | PK-85513-001 SHEET 2 |
| 85513-5016 | 4 | 4 | YES | 11.18 .440 | 3.81 .150 | BLISTER ON REEL 13" | PK-85513-001 SHEET 3 |
| 85513-5004 | | | YES | | | BLISTER ON REEL 15" | PK-85513-001 SHEET 1 |
| 85513-5012 | | | YES | | | BLISTER ON REEL 22" | PK-85513-001 SHEET 2 |

| | | | | | | |
|---|-----------------|--|--|--|---|------------------------|
| SEE SHEET 1 EC NO: E2007-0716 DRWN: DBYRNES 2007/02/15 CHKD: 2007/02/15 APPR: EOMAHONY 2007/02/15 | QUALITY SYMBOLS | GENERAL TOLERANCES (UNLESS SPECIFIED) | DIMENSION STYLE MM/IN | SCALE 1:1 | DESIGN UNITS METRIC | THIRD ANGLE PROJECTION |
| | ▽=0 ∇=0 | 4 PLACES ± --- ± --- 3 PLACES ± --- ± .006 2 PLACES ± 0.15 ± .010 1 PLACE ± 0.25 ± --- ANGULAR ± 2 ° | DRAWN BY DATE DBYRNES 2006/08/17 CHECKED BY DATE EOMAHONY 2006/08/17 APPROVED BY DATE EOMAHONY 2006/08/17 | TITLE | LOW PROFILE TOP ENTRY TRUE SMT JACK WITH P&P SURFACE(SHORT VERSION) | |
| | | DRAFT WHERE APPLICABLE MUST REMAIN WITHIN DIMENSIONS | MATERIAL NO. SEE CHART | MOLEX INCORPORATED DOCUMENT NO. SD-85513-010 | SHEET NO. 2 OF 2 | |
| | | | THIS DRAWING CONTAINS INFORMATION THAT IS PROPRIETARY TO MOLEX INCORPORATED AND SHOULD NOT BE USED WITHOUT WRITTEN PERMISSION | | | |