

PLEASE CHECK WWW.MOLEX.COM FOR LATEST PART INFORMATION

Part Number: [0357110410](#)
Status: **Active**
Description: 2.79mm (.110") Slip-On Tab, Quick Disconnect, 0.50mm (.020") Tab Thickness, Wire Range 16-20 AWG (1.31-0.52mm²), Post-Tin Plated

Documents:

[Drawing \(PDF\)](#) [RoHS Certificate of Compliance \(PDF\)](#)
[Product Specification PS-35702-001 \(PDF\)](#)

General

Product Family	Quick Disconnects
Series	35711
Crimp Quality Equipment	Yes
Product Name	Slip-On
Type	Quick Disconnect

Physical

Barrel Type	Open
Gender	Male
Glow-Wire Compliant	No
Insulation	None
Lock to Mating Part	None
Material - Metal	Brass
Material - Plating Mating	Tin
Material - Plating Termination	Tin
Orientation	Straight
Packaging Type	Reel
Plating min: Mating (µin)	40
Plating min: Mating (µm)	1
Plating min: Termination (µin)	40
Plating min: Termination (µm)	1
Polarized to Mating Part	No
Tab Thickness	0.51mm (.020")
Tab Width	2.79mm (.110")
Temperature Range - Operating	-40°C to +120°C
Termination Interface: Style	Crimp or Compression
Wire Insulation Diameter	1.80-2.30mm (.070-.091") max.
Wire Size AWG	16, 18, 20
Wire Size mm ²	0.50 - 1.30

Electrical

Voltage - Maximum	Per Wire Specification
-------------------	------------------------

Material Info

Reference - Drawing Numbers

Product Specification	PS-35702-001
Sales Drawing	SD-35711-04*0

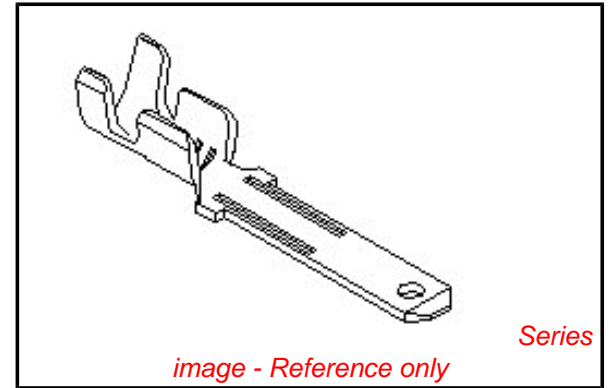


image - Reference only

EU RoHS

ELV and RoHS Compliant
REACH SVHC Contains SVHC: No
Halogen-Free Status

China RoHS



Need more information on product environmental compliance?

Email productcompliance@molex.com
 For a multiple part number RoHS Certificate of Compliance, [click here](#)

Please visit the [Contact Us](#) section for any non-product compliance questions.

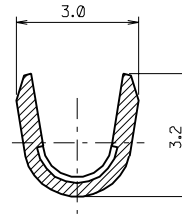
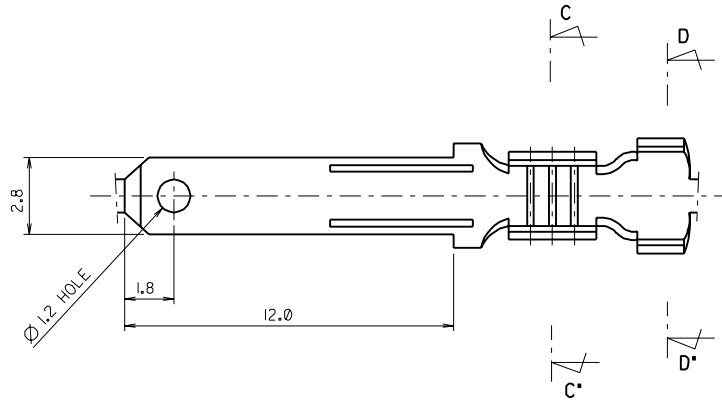
Search Parts in this Series
[35711Series](#)

ENG. NO. SD 35711-04*0

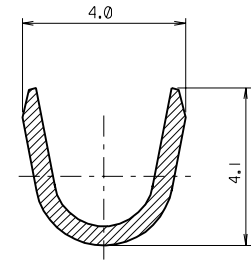
EDP NO.

SIMILAR ITEM

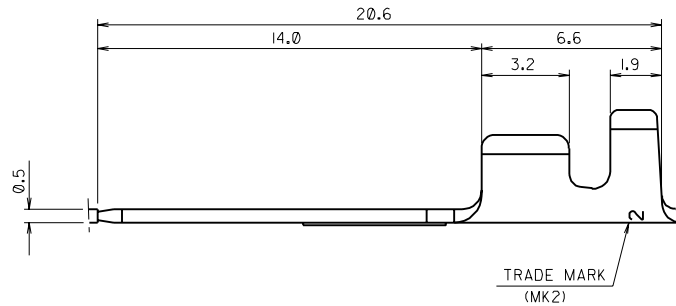
PROJECT NO.



SECTION: C-C*



SECTION: D-D*



NOTES

- 1. MATERIAL: BRASS 0.5 THK'
- 2. PLATING: 35711-0400:UNPLATING
35711-0410:POST-TIN PLATING

WIRE RANGE AWG #20-#16 (0.52-1.31 mm ²)				MATERIAL SEE NOTES		MOLEX-KOREA CO.,LTD.	
INSULATION RANGE Ø 1.8-2.3				GENERAL TOLERANCE DIMENSION : +0.3		DRAWN BY W.Y.YANG	
DIE FEED: ---		B	REVISED	95-007	95.1.17	CHK'D BY	
APPLICATOR FEED: 22.1		A	REDRAWN	92-007	92.1.31	SCALE	
O'TY/ REEL OR PACK 10,000 O'TY/REEL		LTR	REVISION RECORD	ECN	DATE	TITLE: .110 SLIP-ON TAB	
		REVISE ONLY ON CAD SYSTEM				SHEET 1 OF 1	
						ENG. NO. SD 35711-04*0	
						REV A	