

SINGLE PHASE GLASS PASSIVATED BRIDGE RECTIFIER

Voltage :50 to 1000V

Current :4.0A

Features

Glass passivated chip junction
High case dielectric strength
High surge current capability
Ideal for printed circuit board

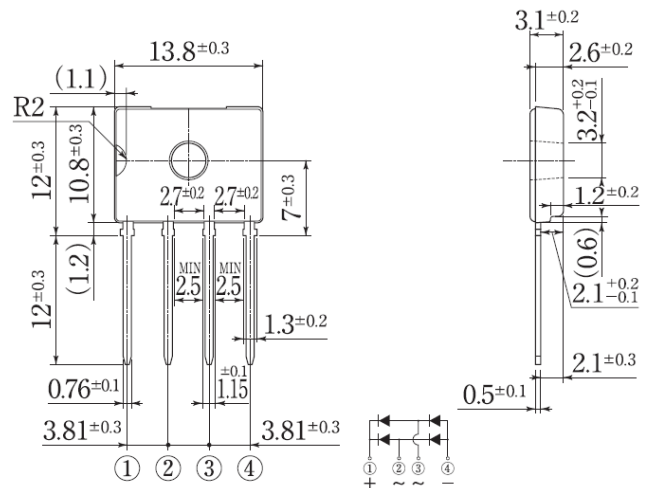
Mechanical Data

Terminal: Plated leads solderable per MIL-STD 202E,
Method 208C

Case: UL-94 Class V-0 recognized Flame Retardant Epoxy

Polarity: Polarity symbol marked on body

Mounting position: any

D3K


Dimensions in millimeters

MAXIMUM RATINGS AND ELECTRICAL CHARACTERISTICS

(single-phase, half -wave, 60HZ, resistive or inductive load rating at 25°C, unless otherwise stated,
for capacitive load, derate current by 20%)

	Symbol	UG4K B05	UG4 KB10	UG4 KB20	UG4 KB40	UG4K B60	UG4 KB80	UG4K B100	units
Maximum repetitive peak reverse voltage	V _{rrm}	50	100	200	400	600	800	1000	V
Maximum RMS voltage	V _{rms}	35	70	140	280	420	560	700	V
Maximum DC blocking voltage	V _{dc}	50	100	200	400	600	800	1000	V
Maximum average forward rectified output current T _c 138°C with heatsink	I _{f(av)}	4.0							A
Peak forward surge current single sine-wave superimposed on rated load (JEDEC Method)	I _{fsm}	135							A
Maximum instantaneous forward voltage drop per leg at 2.0A	V _f	1.00							V
Rating for fusing (3ms ≤ t < 8.3ms)	I ² t	75							A ² Sec
Maximum DC reverse current at rated DC blocking voltage per leg	I _r	10.0 500							μA
Thermal resistance	R _{th(ja)} R _{th(jc)} R _{th(jl)}	55 1.5 15							°C/W
Operating junction and storage temperature range	T _j , T _{stg}	-55 to +150							°C

Note:

SINGLE PHASE GLASS PASSIVATED BRIDGE RECTIFIER
Voltage :50 to 1000V Current :4.0A

RATINGS AND CHARACTERISTIC CURVES

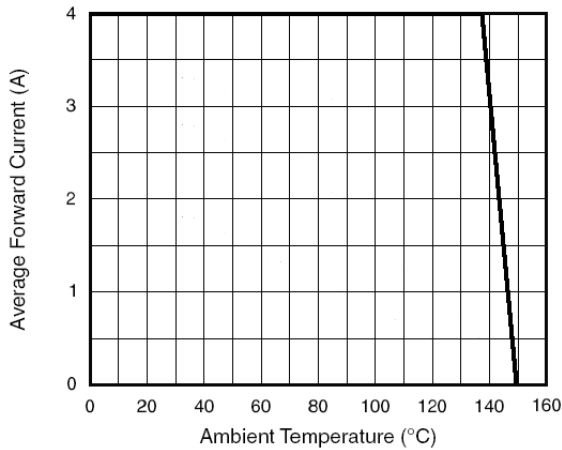


Figure 1. Forward Current Derating Curve

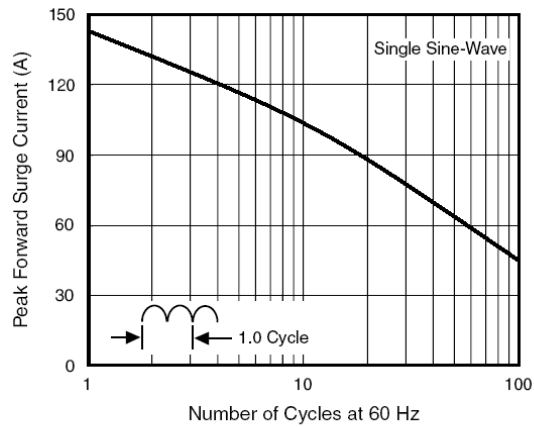


Figure 2. Maximum Non-Repetitive Peak Forward Surge Current Per Diode

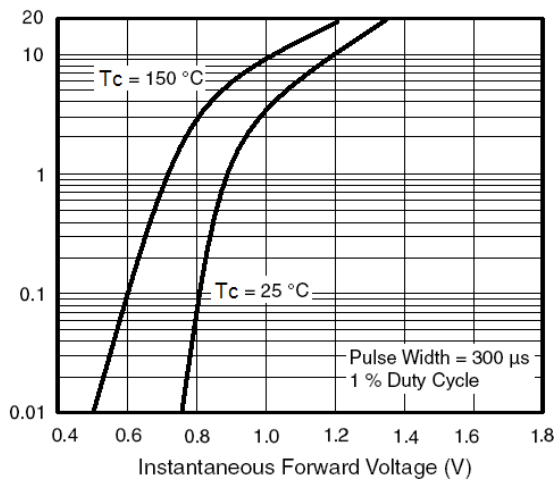


Figure 3. Typical Forward Characteristics Per Diode

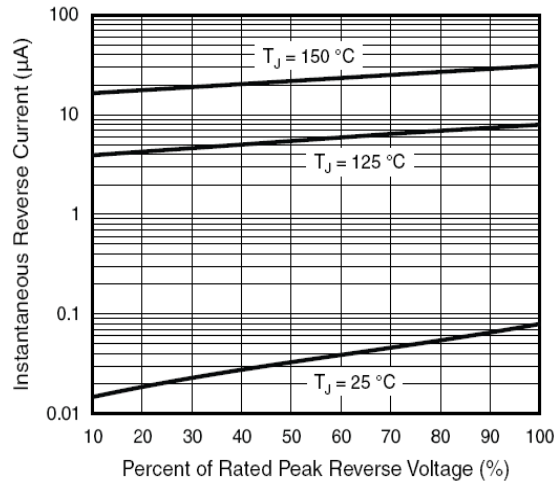


Figure 4. Typical Reverse Leakage Characteristics Per Diode

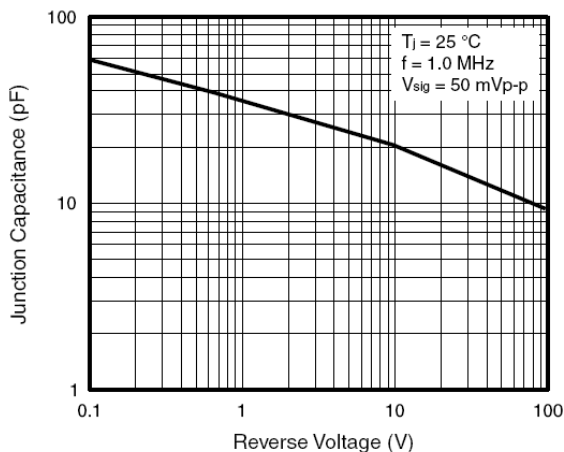


Figure 5. Typical Junction Capacitance Per Diode