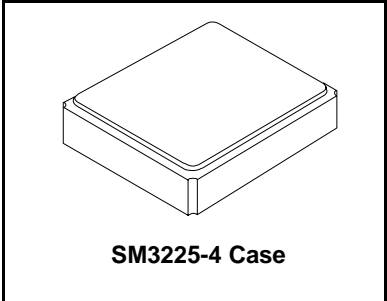





XTL1011

**26.00000 MHz
Crystal Unit**



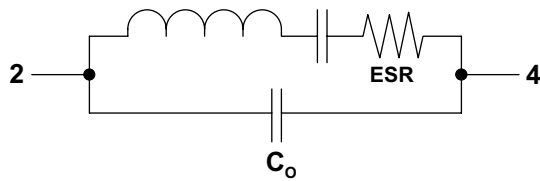
- **Surface Mount Seam-Weld Package**
- **Good Frequency Stability over Temperature**
- **Excellent Reliability**
- **Complies with Directive 2002/95/EC (RoHS)** 

The XTL1011 is a surface mount 3.2 x 2.5 mm crystal unit for use in wireless telecommunications devices, especially where an ultra-miniature package is needed for mobility.

Electrical Characteristics

Characteristic	Sym	Notes	Minimum	Typical	Maximum	Units
Nominal Frequency				26.00000		MHz
Mode of Oscillation			Fundamental			
Storage Temperature Range			-40		+85	°C
Operating Temperature Range			-20		+75	°C
Frequency Stability over Operating Temperature Range			±30 ppm (referred to the value at 25°C)			
Frequency Make Tolerance	F _L		±30 ppm @ 25°C ±3°C			
Equivalent Series Resistance	ESR				80	Ω
Nominal Drive Level				10		uW
Shunt Capacitance	C _O				3.0	pF
Load Capacitance	C _L			9		pF
Insulation Resistance			500 MΩ min @ 100 VDC			
Standard Shipping Quantity on 178 mm (7") Reel				3000		units
Lid Symbolization (in addition to Lot and/or Date Codes)			1011 YWWS			

Crystal Equivalent Circuit



CAUTION: Electrostatic Sensitive Device. Observe precautions for handling.

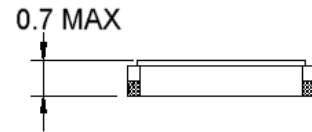
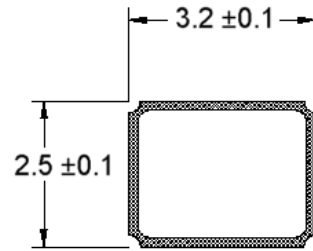
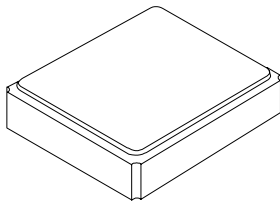
Notes:

1. The design, manufacturing process, and specifications of this device are subject to change without notice.

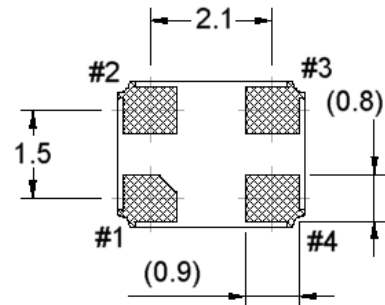
SM3225-4 Case

4-Terminal Surface-Mount Seam Weld Case

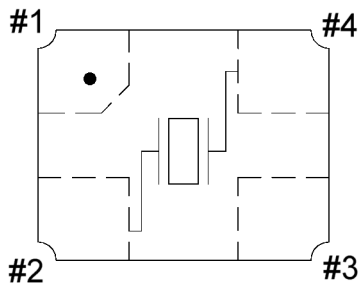
3.2 x 2.5 mm Nominal Footprint



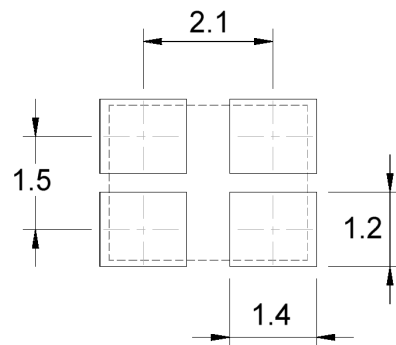
Pin	Connection
1	GND
2	IN/OUT
3	GND
4	IN/OUT



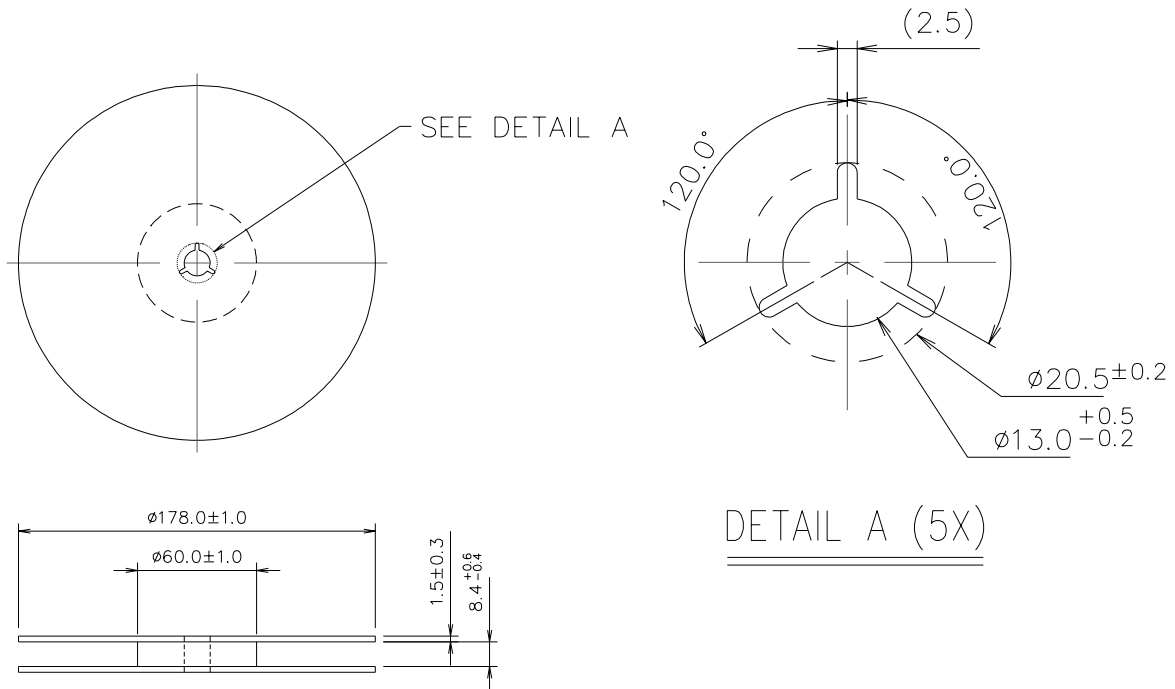
Internal Connections
(Top View)



Land Pattern
(unit: mm)



Reel Dimensions



Tape Dimensions

