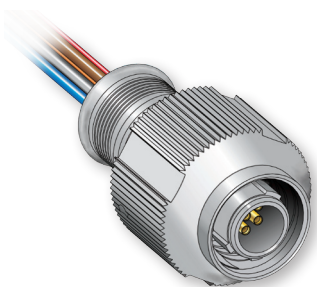




# Series 811 Mighty Mouse High Density (HD) Pre-Wired Plug Connectors

811-001-06

## Pre-Wired Plug Connectors

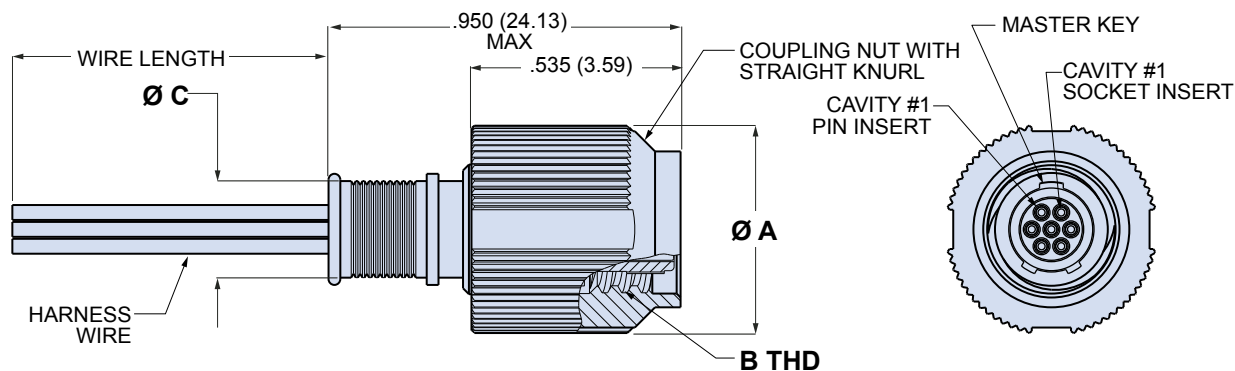


Series 811 Mighty Mouse High Density plugs feature damage-resistant double-start ACME mating threads and integral shielding/overmolding platforms. These plugs are factory-terminated to insulated wire and backpotted with epoxy. The TwistPin contact system meets requirements of MIL-DTL-83513 and provides outstanding resistance to high levels of shock and vibration. Choose Type K general purpose Teflon® wire or Type J lightweight space-grade Tefzel® wire. 3A current rating, 600 VAC dielectric withstanding voltage.

### HOW TO ORDER SERIES 811 PLUGS

#### Sample Part Number

811-001-06	MT	5-7	P	A	6	K	7	-18
Series	Shell Material and Finish	Shell Size - Insert Arr.	Contact Type	Key Position	Wire Size	Wire Type	Wire Color	Wire Length (Inches)
<b>811-001-06</b> Series 811 Plug Connector with High Density TwistPins, Pre-wired Pigtails, Double-Start Thread	<b>ME</b> Electroless Nickel	<b>5-7</b> 7 Contacts	<b>P</b> Pin Contacts	<b>A</b> Normal	<b>6</b> #26	<b>K</b> PTFE insulation, silver-coated, 200°C, (M22759/11)	<b>1</b> White	<b>-12</b>
	<b>MT</b> Nickel-PTFE	<b>6-12</b> 12 Contacts	<b>S</b> Socket Contacts	<b>Alternate Key Positions</b> <b>B</b> <b>C</b> <b>D</b> <b>E</b> <b>F</b>	<b>8</b> #28 (Color code 1 or 7 only)	<b>J</b> Tefzel® insulation, high strength lightweight silver-coated, 200°C, (M22759/33)	<b>5</b> Color code per MIL-STD-681 (striped)*	<b>-18</b>
	<b>ZR</b> Black Zinc-Nickel	<b>7-22</b> 22 Contacts			<b>0</b> #30 (Wire Type J, color code 1 or 7 only)		<b>7</b> 10 Solid colors, repeating	<b>-36</b>
		<b>8-30</b> 30 Contacts						<b>-72</b>
		<b>9-42</b> 42 Contacts						Specify any length from 2 inches to 144 inches



Shell Size	Ø A		B Thread	Ø C	
	In.	mm.		In.	mm.
5	.540	13.72	.3125-.05P-.1L-2B	.246	6.25
6	.600	15.24	.375-.05P-.1L-2B	.286	7.26
7	.730	18.54	.4375-.05P-.1L-2B	.391	9.93
8	.800	20.32	.5000-.05P-.1L-2B	.443	11.25
9	.862	21.89	.5625-.05P-.1L-2B	.498	12.65

\*Size 28 AWG and Size 30 AWG J type wire not available in striped color code 5