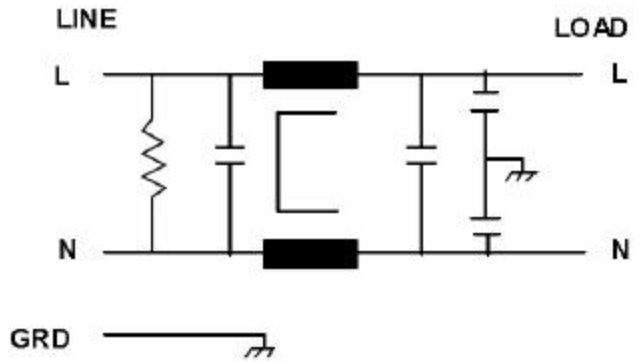




# AA-0221-20

**Operating voltage = 115/250 Vac**  
**Operating current = 20 Amp**  
**Operating frequency = 50/60Hz**  
**Operating temperature = -20 to 50o C (UL,CSA)**  
**Diel. withstanding (line - case) = 1500 Vac**  
**Diel. withstanding (line - line) = 1500 Vdc**  
**Leakage current = 0.5 ma at 250 Vac, 60 Hz**  
**Max residual voltage after 1 sec. = 30 Volts**  
**Agency approvals = UL, CSA**



TEMPERATURE DERATING

