

**TITLE**  
 LM259X Inductor  
 33  $\mu$ Hy 2.70 ADC

**SCHOTT**  
 CORPORATION  
 1000 PARKERS LAKE ROAD  
 WAYZATA, MN 55391

**AGENCY APPROVAL:**  
 N/A

**PART NUMBER** 34604  
 REV B PAGE 1

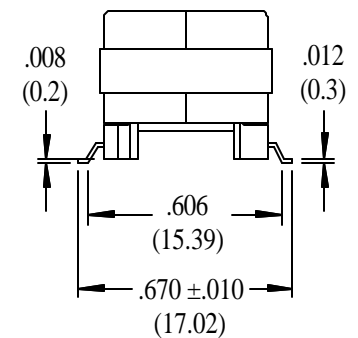
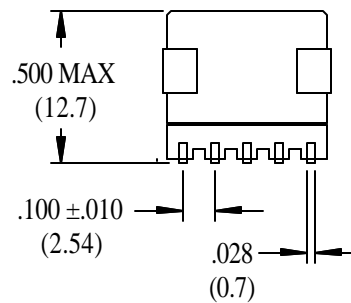
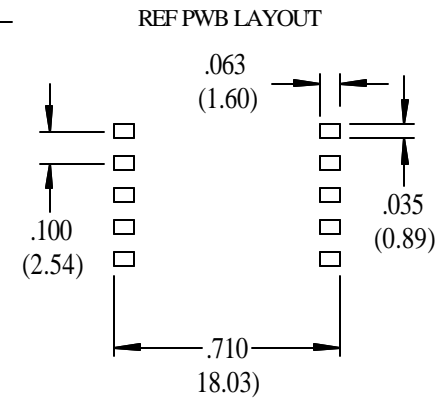
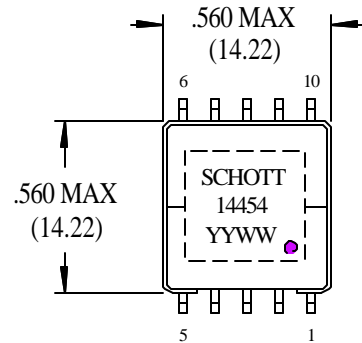
Old Schott P/N: 67144540

**ELECTRICAL CHARACTERISTICS**  
 Specifications at room temperature (ref. 25°C)

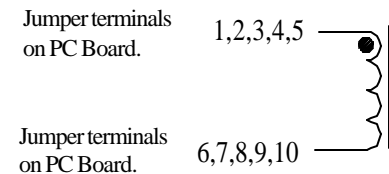
1. INDUCTANCE: @ 10 kHz, 0.1 Vrms,  
 (1 thru 5 to 6 thru 10) = 33 - 42  $\mu$ H
2. DC RESISTANCE:  
 (1 thru 5 to 6 thru 10) = .030 Ohms Max.
3. SRF: 2.0 MHZ Nom.
4. HIPOT: 500 VDC  
 WINDING TO CORE  
 2 SEC., 5 mA MAX

**GENERAL NOTES:**

1. Current rating is the current at which the inductance is a minimum of 90% of the rated value.
2. All pins may not be used; electrical schematic is based on the standard footprint.



**NOTE:**  
 COPLANARITY OF  $\pm$ .004  
 ACROSS ALL LEADS



TOLERANCES	2 PLACE	3 PLACE	ANGLE
UNLESS OTHERWISE NOTED	+ .03	+ .010	+ °