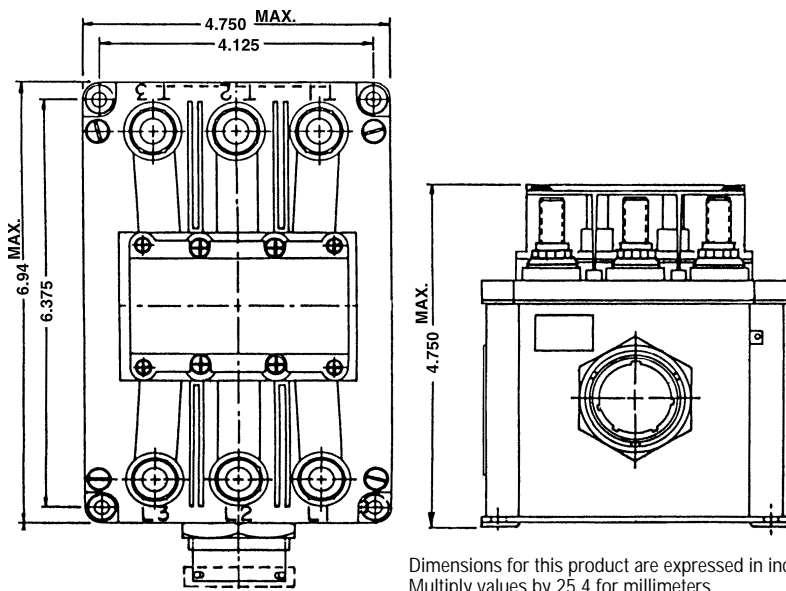
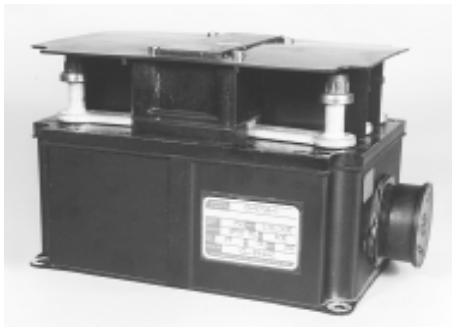


# B-479A-1 3PST, Magnetic Latch, 350 Amps, 120/208 VAC, 400 Hz

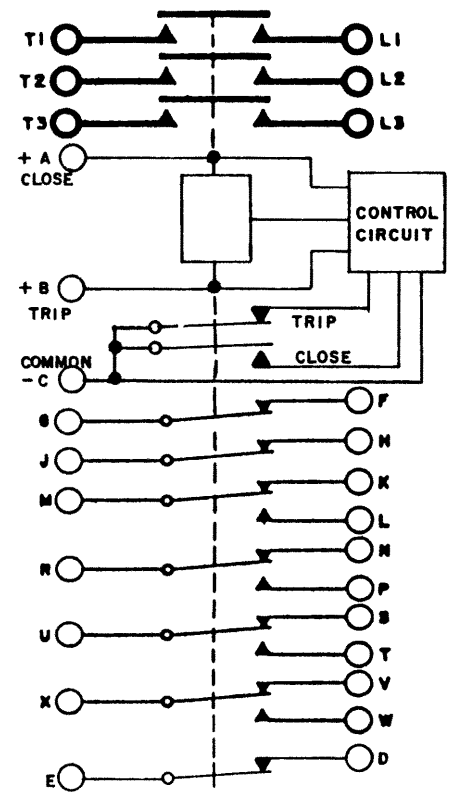


Dimensions for this product are expressed in inches. Multiply values by 25.4 for millimeters.

**Features:**

- 3PST Main Contacts
- Magnetic Latch
- Self De-Energizing Coil
- 120/208 VAC, 400 Hz
- 350 Amps
- High Reliability
- Meets many requirements of MIL-R-6106

**CONTACTOR CONFIGURATION**



**Notes:**

For factory-direct application assistance, contact the HARTMAN product team at (419) 521-9500, Fax (419) 526-2749.

© 2004 by Tyco Electronics Corporation. All Rights Reserved. HARTMAN and TYCO are trademarks.

**PRODUCT SPECIFICATIONS**

Construction	Gasket Sealed, Vented
Main Contacts:	
Configuration	3PST Magnetic Latch
Voltage (Nominal)	120/208 VAC, 400 Hz
Current (Resistive)	350 Amps
Auxiliary Contacts:	
Configuration	3-PDT N.C., 4-SPDT
Voltage (Nominal)	30 VDC or 120 Volts, 400 Hz
Current (Resistive)	10 Amps
Coil Data:	
Duty Cycle	Continuous, Self De-Energizing
Voltage (Nominal)	28 VDC
Operate Voltage	
Close	15 - 29 VDC
Trip	15 - 29 VDC
Coil Current @ 28 VDC % +25°C	
Close	14.2 Amps Maximum
Trip	8.3 Amps Maximum
Operating Temperature	-55°C to +95°C
Life:	
Electrical	50,000 Cycles
Mechanical	100,000 Cycles
Weight	4 Lbs. 14 Oz.