

## FEATURES AND SPECIFICATIONS

### Features and Benefits

- Sizes 4 to 20 circuits

### Reference Information

Packaging: Tray

Mates With: [53244](#)

Designed In: Millimeters

### Electrical

Voltage: 125V

Current: 1.0A

Contact Resistance: 40mΩ max.

Dielectric Withstanding Voltage: 500V AC/1 min.

Insulation Resistance: 1000 MΩ min.

### Physical

Housing: 6/6 nylon, UL 94V-0

Contact: Phosphor Bronze

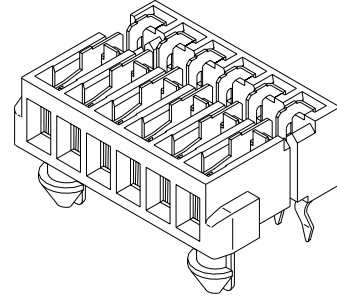
Plating: Tin

Operating Temperature: -40 to +105°C

# molex® 2.00mm (.079") Pitch Board-to-Board Receptacle

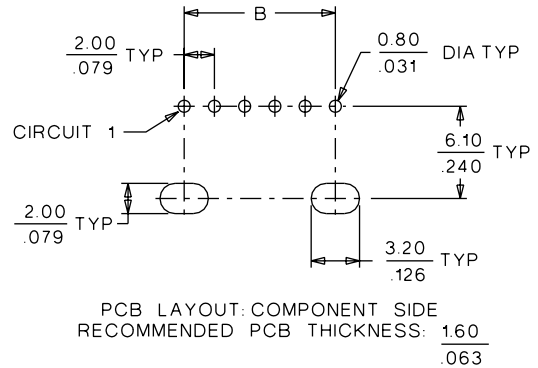
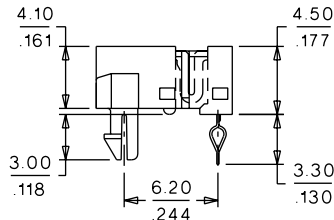
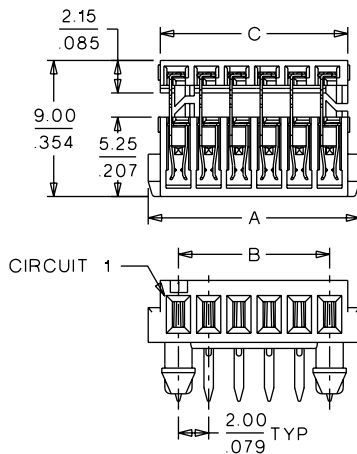
## 52330

### Floating-Type Right Angle



2.00 to 2.50mm (.079 to .098") Pitch

## CATALOG DRAWING (FOR REFERENCE ONLY)



## ORDERING INFORMATION AND DIMENSIONS

| Circuits | Order No.  | Dimension     |               |               |
|----------|------------|---------------|---------------|---------------|
|          |            | A             | B             | C             |
| 4        | 52330-0417 | 10.00 (.394)  | 6.00 (.236)   | 8.40 (.331)   |
| 5        | 52330-0517 | 12.00 (.472)  | 8.00 (.314)   | 10.40 (.409)  |
| 6        | 52330-0617 | 14.00 (.551)  | 10.00 (.393)  | 12.40 (.488)  |
| 7        | 52330-0717 | 16.00 (.629)  | 12.00 (.472)  | 14.40 (.566)  |
| 8        | 52330-0817 | 18.00 (.709)  | 14.00 (.551)  | 16.40 (.646)  |
| 9        | 52330-0917 | 20.00 (.787)  | 16.00 (.630)  | 18.40 (.724)  |
| 10       | 52330-1017 | 22.00 (.866)  | 18.00 (.708)  | 20.40 (.803)  |
| 11       | 52330-1117 | 24.00 (.944)  | 20.00 (.787)  | 22.40 (.881)  |
| 12       | 52330-1217 | 26.00 (1.024) | 22.00 (.866)  | 24.40 (.961)  |
| 13       | 52330-1317 | 28.00 (1.102) | 24.00 (.945)  | 26.40 (1.039) |
| 14       | 52330-1417 | 30.00 (1.181) | 26.00 (1.023) | 28.40 (1.118) |
| 15       | 52330-1517 | 32.00 (1.259) | 28.00 (1.102) | 30.40 (1.196) |
| 16       | 52330-1617 | 34.00 (1.339) | 30.00 (1.181) | 32.40 (1.276) |
| 17       | 52330-1717 | 36.00 (1.417) | 32.00 (1.260) | 34.40 (1.354) |
| 18       | 52330-1817 | 38.00 (1.496) | 34.00 (1.338) | 36.40 (1.433) |
| 19       | 52330-1917 | 40.00 (1.574) | 36.00 (1.417) | 38.40 (1.511) |
| 20       | 52330-2017 | 42.00 (1.654) | 38.00 (1.496) | 40.40 (1.591) |