

## Model Name NW34M25WA

## Frequency Controlled Crystal Oscillator (FCXO) Clock Generator Modules

### Main Application

SONET, SDH, FTTH, Communications equipment

### Features

- Dual reference inputs, LVPECL and CMOS outputs
- Simple hardware control for operational mode
- Automatic Free-run upon loss of input reference
- Lock acquisition time < 1 second



\* Module markings may be changed without notice.

**RoHS Compliant**  
Directive 2002/95/EC

### Specifications

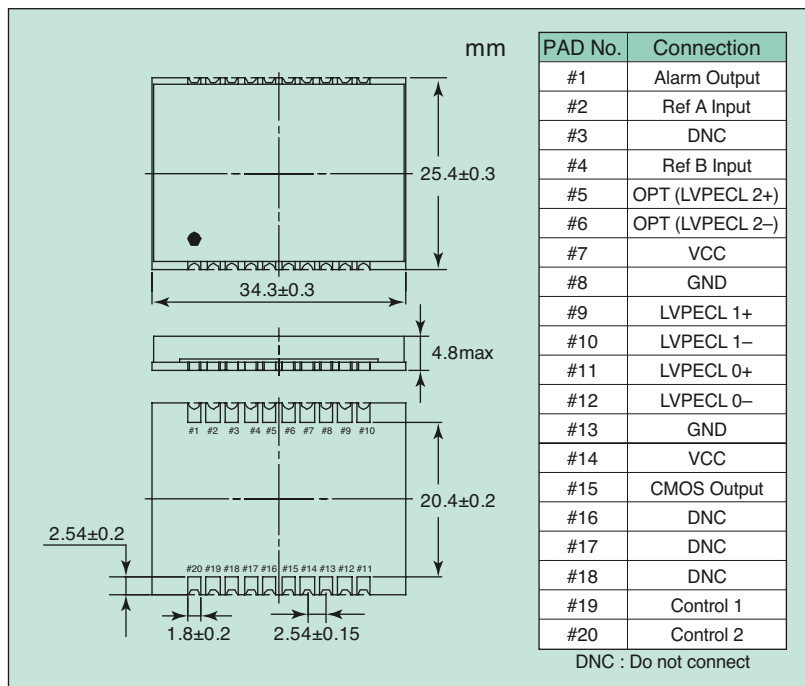
Item	Model	NW34M25WA
Supply Voltage (V <sub>CC</sub> )		+3.3 V DC ±5%
Current Consumption		200 mA typ
Operating Temp. Range		0 to +70°C
Input Level		2-CMOS
Input Reference Frequency		19.44 MHz*
Output Levels		2(3) LVPECL and 1 CMOS
Output Frequencies (MHz)		77.76 (LVPECL1, CMOS) and 155.52 (LVPECL0)*
Free-run accuracy (at 25°C)		±20×10 <sup>-6</sup> max.
Capture / pull-in range		±25 ×10 <sup>-6</sup> min.

(\*other frequencies are available)

### List of Ordering Codes

Input reference frequency (MHz)	Output frequencies (MHz)				Ordering Code
	LVPECL 0	LVPECL 1	LVPECL 2	CMOS	
19.44	155.52	77.76	High-Z	77.76	NW34M25WA-155.52M-NSA3436A

### Dimensions



### Control Functions

Control 1	Control 2	Mode of operation
0	0	Lock to Ref A
0	1	Lock to Ref B
1	0	Forced Free-run
1	1	Outputs are Tri-stated