

# GSD

M39012/128-0001

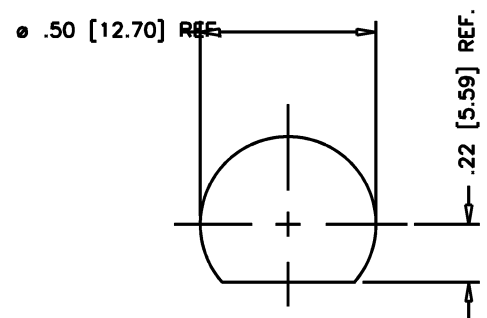
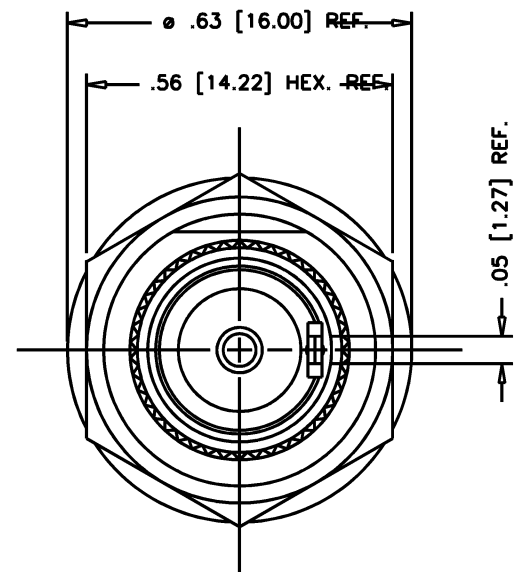
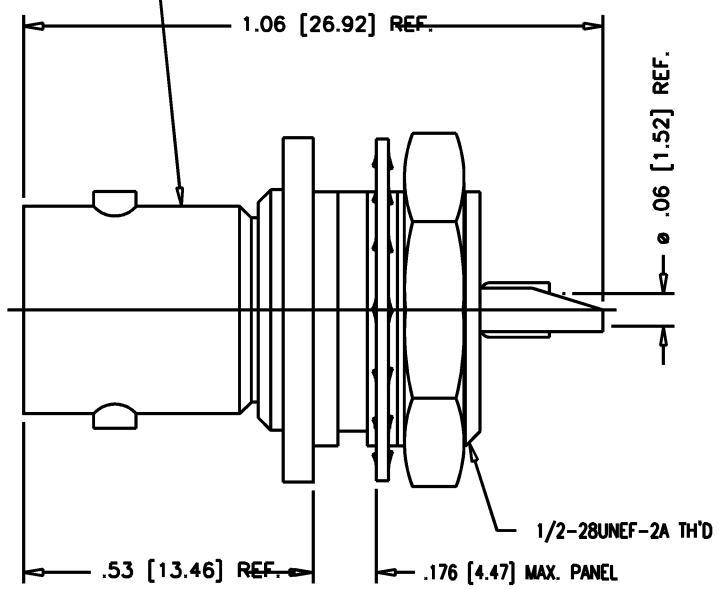
**REVISIONS**

ISSUE	CHANGES
0	ER 29853 RESTRICTED USAGE AJ 05/13/88
1	CN 30424 E RESTRICTION REMOVED H.Z.B. 01/06/89
2	CN 32337 A LNM 07/09/90
3	CN 38656 C REDRAWN TML 09/25/03
4	CN 39721 C DRK 12/01/06
5	CN 39857 A DRK 03/23/07

SCALE 4:1	
APPROX SURFACE AREA	
754-21-5	
USED ON	
REF:	
RECEPTACLE, ISOLATED GROUND, BNC	
DRAWN JCA	DATE 07/14/88
DESIGN	DATE
APPR. MJB	DATE 07/14/88

**KINGS**  
 ELECTRONICS CO., INC.  
 ROCK HILL, SOUTH CAROLINA 29730  
 M39012/128-0001

STAMP: 91836 M39012/128-0001  
754-21-5 YRWK (DATE CODE)



MOUNTING HOLE

**NOTES:**

- INTERFACE PER MIL-STD-348, FIG. 301-2.
- SAME AS KC-79-67 EXCEPT FINISH & MARKING.
- MATERIALS:  
INSULATORS: TEFLON, ASTM-D4894  
LOCKWASHER: PHOS. BRONZE, ASTM-B103  
CENTER CONTACT: BER.COP., ASTM-B196  
LUG: BER. COP. ASTM-B196, OR PHOS. BRONZE  
ALL OTHER PARTS: BRASS, ASTM-B16
- FINISHES:  
CENTER CONTACT: GOLD PLATE, ASTM-B488.  
ALL OTHER METAL PARTS: SILVER PLATE, ASTM-B700.
- ELECTRICAL CHARACTERISTICS:  
NOMINAL IMPEDANCE: 50 OHMS  
VOLTAGE RATING: 500 VRMS  
FREQUENCY RANGE: DC TO 4 GHz  
DIELECTRIC WITHSTANDING VOLTAGE: 1500 VRMS  
INSULATION RESISTANCE: 5000 MEGAOHMS MIN.  
CONTACT RESISTANCE: CENTER-2.0 MILLIOHMS MAX.
- DIMENSIONS IN INCHES [MM].

# GSD