

PLEASE CHECK WWW.MOLEX.COM FOR LATEST PART INFORMATION

Part Number: [0685610018](#)
Status: **Active**
Overview: [serial ata products](#)
Description: 1.27mm (.050") Pitch Serial ATA IDT Power Latching Adapter Cable Assembly, 0.152m (6.00") Length, Gold Flash, 5V+12V, Leadfree

Documents:

[Drawing \(PDF\)](#) [RoHS Certificate of Compliance \(PDF\)](#)

General

| | |
|------------------------|-------------------------------------|
| Product Family | Cable Assemblies |
| Series | 68561 |
| Connector to Connector | Serial ATA-to-Serial ATA |
| Overview | serial ata products |
| Product Name | Serial ATA |

Physical

| | |
|--------------------------------|-----------------|
| Cable Length | 0.152m (6.00") |
| Circuits (Loaded) | 15 |
| Gender | Male-Female |
| Lock to Mating Part | Yes |
| Material - Metal | Stainless Steel |
| Material - Plating Mating | Gold |
| Material - Plating Termination | Tin |
| Packaging Type | Bag |
| Pitch - Mating Interface (in) | 0.050 In |
| Pitch - Mating Interface (mm) | 1.27 mm |
| Plating min: Mating (µin) | 2 |
| Plating min: Mating (µm) | 0.05 |
| Plating min: Termination (µin) | 75 |
| Plating min: Termination (µm) | 1.875 |
| Single Ended | No |
| Termination Interface: Style | IDT or Pierce |
| Wire Insulation Diameter | N/A |
| Wire Size AWG | 18 |
| Wire/Cable Type | PVC |

Electrical

| | |
|-------------------------------|----------|
| Current - Maximum per Contact | 1.5A |
| Impedance | 100 ohms |
| Shielded | No |
| Voltage - Maximum | 40V |

Material Info

Reference - Drawing Numbers

| | |
|---------------|--------------|
| Sales Drawing | SD-68561-003 |
|---------------|--------------|

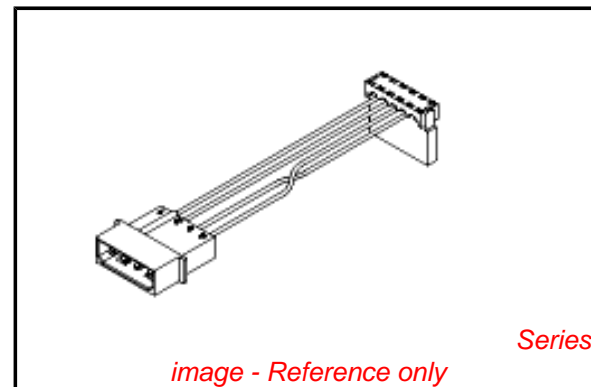


image - Reference only

EU RoHS

**ELV and RoHS
Compliant**
**REACH SVHC
Not Reviewed**
**Halogen-Free
Status
Not Reviewed**

China RoHS

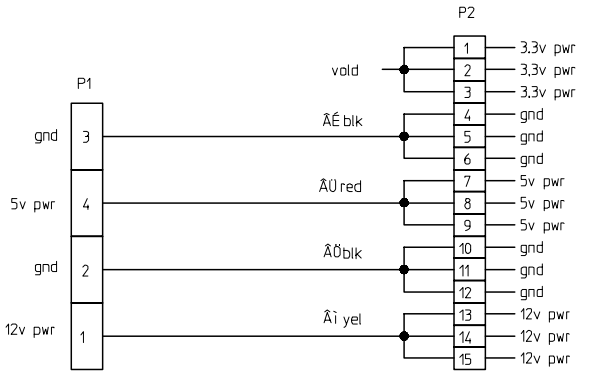
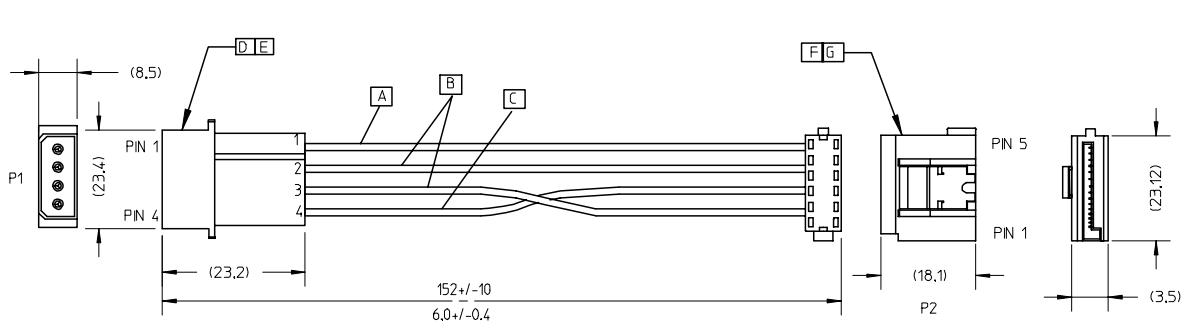


**Need more information on product
environmental compliance?**

Email productcompliance@molex.com
 For a multiple part number RoHS Certificate of Compliance, [click here](#)

Please visit the [Contact Us](#) section for any non-product compliance questions.

Search Parts in this Series
[68561Series](#)



NOTE: 1. ELECTRIC PERFORMANCE:
 DIELECTRIC STRENGTH: 500 V DC/0.01Sec.
 INSULATION RESISTANCE: 100M OHMS Min.
 CONDUCTIVE RESISTANCE: 2 OHMS Max.
 2.S-ATA HOUSING:
 POLYESTER(PBT),UL94V-0(BLACK)

| | | |
|------------|-------------|----------------------------|
| 68561-0019 | 679260002 | 30u' Gold -plated terminal |
| 68561-0018 | 679260001 | Gold flash terminal |
| MOLEX P/N | S-ATA CONN. | DESCRIPTION |

| | | | |
|------|--------------------------|-----|-------|
| G | COVER 679260040 | 1 | |
| F | S-ATA CONN; SEE TABLE | 1 | |
| E | 4P CONTACT 887899491 | 4 | |
| D | 4P PWR HOUSING 887899490 | 1 | |
| C | UL1007 #18 RED 887711301 | 1 | 144 |
| B | UL1007 #18 BLK 887711300 | 2 | 288 |
| A | UL1007 #18 YEL 887711303 | 1 | 144 |
| ITEM | DESCRIPTION | QTY | L(mm) |

| | | | | | | | | | | |
|--|-------------------------------|--|-------------|----------------------------|---|--------------|---|------------------------|--|--|
| ENTER DESCRIPTION EC NO: DG2005-0009 DRWN:GXYANG 2004/08/11 CHKD: 2004/08/18 APPR:BOCHEN 2004/08/18 REV | QUALITY SYMBOLS ▽=0 ◻=0 | GENERAL TOLERANCES (UNLESS SPECIFIED) | | DIMENSION STYLE MM ONLY | | SCALE --- | DESIGN UNITS METRIC | THIRD ANGLE PROJECTION | | |
| | | | mm | INCH | DRAWN BY | DATE | TITLE | | | |
| | | 4 PLACES | ±--- | ±--- | GXYANG | 04/08/10 | S-ATA IDT POWER LATCHING ADAPTER CABLE ASSEMBLY 6 INCH (5V+12V) | | | |
| | | 3 PLACES | ±--- | ±--- | CHECKED BY | DATE | | | | |
| 2 PLACES | ±--- | ±--- | TEDDY | 04/08/10 | MOLEX INCORPORATED | | | | | |
| 1 PLACE | ±--- | ±--- | APPROVED BY | DATE | | | | | | |
| | | ANGULAR ±---° | BORON | 04/08/10 | MATERIAL NO. 685610018/9 | | DOCUMENT NO. SD-68561-003 | SHEET NO. 1 OF 1 | | |
| | | DRAFT WHERE APPLICABLE MUST REMAIN WITHIN DIMENSIONS | SIZE A/4 | | THIS DRAWING CONTAINS INFORMATION THAT IS PROPRIETARY TO MOLEX INCORPORATED AND SHOULD NOT BE USED WITHOUT WRITTEN PERMISSION | | | | | |