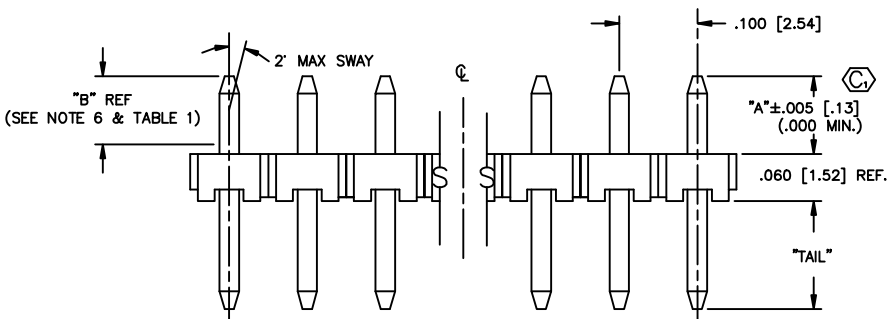
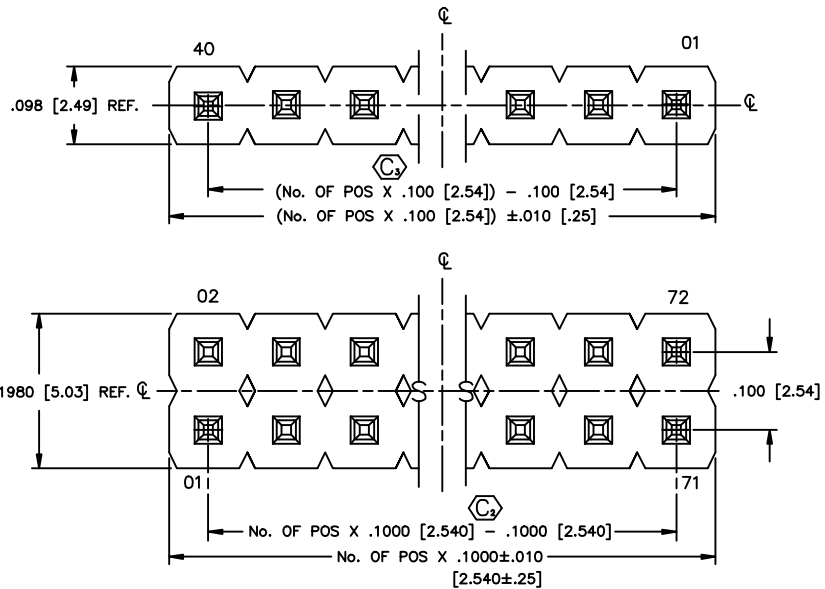


REV. T

DO NOT SCALE FROM THIS PRINT.

DIMENSIONS ARE IN INCHES		TOLERANCES ARE		MODIFIED LOW PROFILE TERMINAL ASSEMBLY	DWG NO: MTLW-1XX-XX-XX-X-XXX-XX-XX SHEET 1 OF 2
ONE PLACE DECIMALS ± .1 [3]	THREE PLACE DECIMALS ± .005 [.13]	ANGLES ± 2°			
TWO PLACE DECIMALS ± .01 [.3]	FOUR PLACE DECIMALS ± .0020 [.051]				



MTLW-1XX-XX-XX-X-XXX-XX-XX

No. OF POSITIONS
-01 THRU -40 (SINGLE)
-01 THRU -36 (DOUBLE)

LEAD STYLE
SEE TABLE 1

PLATING SPECIFICATION

OPTION #2
-POLARIZING SPEC.
XX INDICATES POS. TO BE OMITTED

OPTION #1
-BLANK-STRAIGHT
-LL: LOCKING LEADS (SEE FIG 1, SHT2)
(TAIL: MIN OF .090 [2.29], MAX OF .310 [7.87])

POST HEIGHT
XXX = (.000) MIN. - (L-.060) MAX
(SEE TABLE 1 "A" FOR .090 TAIL REF)

ROW SPECIFICATION
-S: SINGLE
-D: DOUBLE

PLATING SPECIFICATION
-G: GOLD, 10 Au / 50 Ni MIN ON CONTACT,
3 Au / 50 Ni MIN ON TAIL
-T: MATTE TIN CONTACT AND TAIL
-S: SELECTIVE, 30 Au / 50 Ni MIN ON CONTACT,
MATTE TIN TAIL
-H: HEAVY GOLD, 30 Au / 50 Ni MIN ON CONTACT,
3 Au / 50 Ni MIN ON TAIL
-F: FLASH SELECTIVE, 3 Au / 50 Ni MIN ON CONTACT,
MATTE TIN TAIL
-L: LIGHT SELECTIVE, 10 Au / 50 Ni ON CONTACT,
MATTE TIN TAIL
-TM: MATTE TIN CONTACT AND TAIL
-SM: SELECTIVE, 30 Au / 50 Ni ON CONTACT,
MATTE TIN TAIL
-LM: LIGHT SELECTIVE, 10 Au / 50 Ni MIN ON CONTACT,
MATTE TIN TAIL
-FM: FLASH SELECTIVE, 3 Au / 50 Ni MIN ON CONTACT,
MATTE TIN TAIL

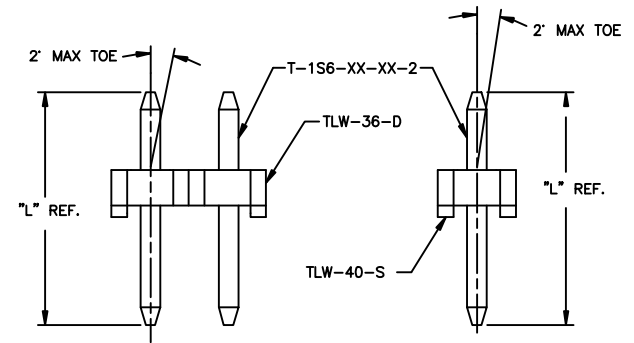


TABLE 1

LEAD STYLE	TERMINAL	"L"	"A" (FOR .090 [2.29] TAIL)	"B"
-05	T-1S6-21-XX-2	.335 [8.51]	.185 [4.70]	.050 [4.19]
-06	T-1S6-18-XX-2	.300 [7.62]	.150 [3.81]	.050 [4.19]
-07	T-1S6-07-XX-2	.430 [10.92]	.280 [7.11]	.165 [4.19]
-08	T-1S6-08-XX-2	.530 [13.46]	.380 [9.65]	.165 [4.19]
-09	T-1S6-09-XX-2	.730 [18.54]	.580 [14.73]	.165 [4.19]
-10	T-1S6-10-XX-2	.830 [21.08]	.680 [17.27]	.165 [4.19]
-22	T-1S6-15-XX-2	.630 [16.00]	.480 [12.19]	.165 [4.19]
-23	T-1S6-16-XX-2	.445 [11.30]	.295 [7.49]	.165 [4.19]
-24	T-1S6-17-XX-2	.480	.330	.165

- NOTES:
- 1.) MAX ALLOWABLE BOW AFTER ASSEMBLY: .005 [.13] IN/IN.
 - 2.) TERMINAL PUSHOUT FORCE: 2 lbs. MIN.
 - 3.) MAX PIN ROTATION IN BODY: 2°.
 - 4.) Ⓞ REPRESENTS A CRITICAL DIMENSION
 - 5.) MAX CUT FLASH .010 [.25].
 - 6.) GOLD CONTACT AREA LOCATION FOR G, H, S, L, & F PLATINGS.
 - 7.) ORIENTATE PINS TO REDUCE THE NUMBER OF BANDOLIER MARKS IN THE POST AREA. (SEE TABLE 2)

PROPRIETARY NOTE
THIS DOCUMENT CONTAINS INFORMATION CONFIDENTIAL AND PROPRIETARY TO SAMTEC INC. AND SHALL NOT BE REPRODUCED OR TRANSMITTED IN ANY FORM OR BY ANY MEANS, ELECTRONIC OR MECHANICAL, INCLUDING PHOTOCOPYING, RECORDING, OR BY ANY INFORMATION STORAGE AND RETRIEVAL SYSTEM, WITHOUT THE WRITTEN CONSENT OF SAMTEC INC.

MATERIAL: LCP, UL 94 VO COLOR: BLACK			
TERMINALS: PHOSPHOR BRONZE, ALLOY NO. 510, 3/4 HARD, TENSILE RANGE 95-105 KSI			
520 PARK EAST BLVD. NEW ALBANY, INDIANA 47150 PHONE (812) 944-6733 P.O. BOX 1147 CODE 55322		MADE BY: REIDINGER 6-5-91	ENG. APPROVAL: DEM
CHECKED BY: MCCARTIN		SHEET 1 OF 2	