

**ebm-papst St. Georgen GmbH & Co. KG**

Hermann-Papst-Straße 1

D-78112 St. Georgen

Phone +49 7724 81-0

Fax +49 7724 81-1309

info2@de.ebmpapst.com

www.ebmpapst.com

**Nominal data**

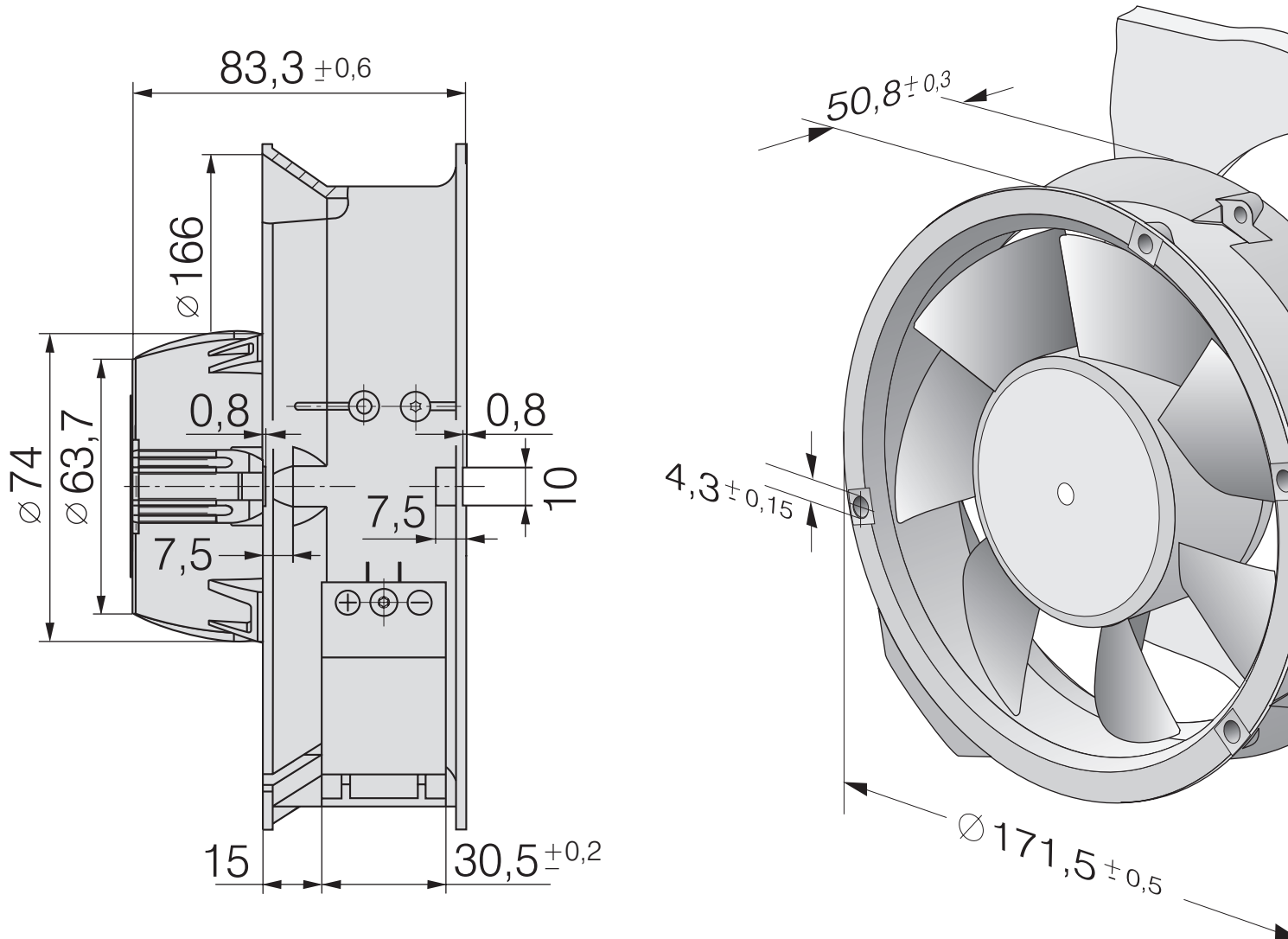
Type	AC 6200 NM	
Nominal voltage range	VAC	85 .. 265
Frequency	Hz	50/60
Speed	min <sup>-1</sup>	2850
Power input	W	14
Min. ambient temperature	°C	-20
Max. ambient temperature	°C	70
Air flow	m <sup>3</sup> /h	350
Sound power level	B	5.7
Sound pressure level	dB(A)	50

ml = max. load · me = max. efficiency · rfa = running at free air · cs = customer specs · cu = customer unit  
Subject to alterations

## Technical features

<b>Dimensions</b>	172 Ø x 52 mm
<b>General description</b>	<p>Particular design features:</p> <p>Can be used universally for all supply voltages between 85 and 265 VAC, 50-60 Hz.  Fan speed independent of the power frequency.  Significantly reduced power consumption compared to conventional AC voltage fans.  Open loop speed control, sensor and alarm signal available on request.</p> <p>General features:</p> <p>Material: housing made of aluminium. Impeller made of fibreglass-reinforced PA; housing with grounding lug for screws M4 x 8 (Torx).  Electronic commutation completely integrated.  Protected against locking.  Connection via single strands AWG 22, TR 64, bared and tin-plated.  Air exhaust over bars. Direction of rotation counter-clockwise seen on rotor.  Mass: 900 g.</p>
<b>Connection line</b>	Single strands AWG 22, TR 64, bared and tin-plated.
<b>Direction of rotation</b>	Right, looking at rotor
<b>Direction of air flow</b>	Air exhaust over bars
<b>Bearing</b>	Ball bearings
<b>Lifetime L10 at 40 °C</b>	80000 h
<b>Lifetime L10 at maximum temperature</b>	40000 h
<b>Mass</b>	0.900 kg
<b>Housing material</b>	Aluminum. Housing with grounding lug for screws M4 x 8 (TORX).
<b>Material of impeller</b>	Fiberglass-reinforced PA plastic
<b>Motor protection</b>	Protected against reverse polarity and locking.
<b>Protection class</b>	IP 54
<b>Approval</b>	UL, CSA, VDE

Product drawing



Charts: Air flow

