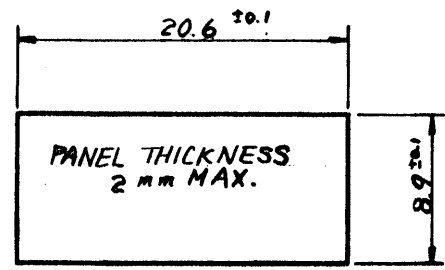
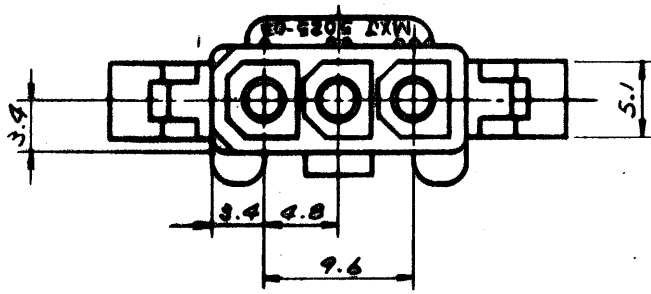


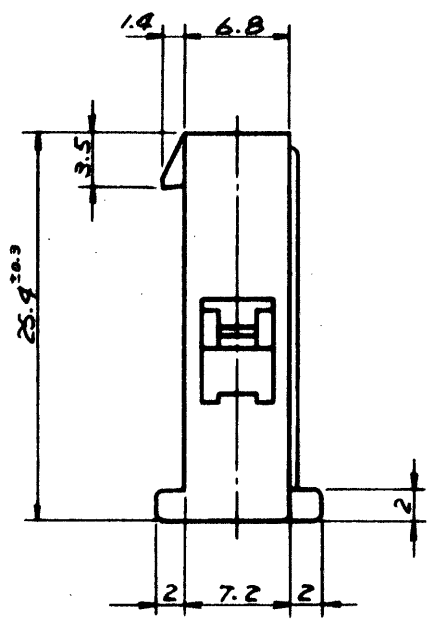
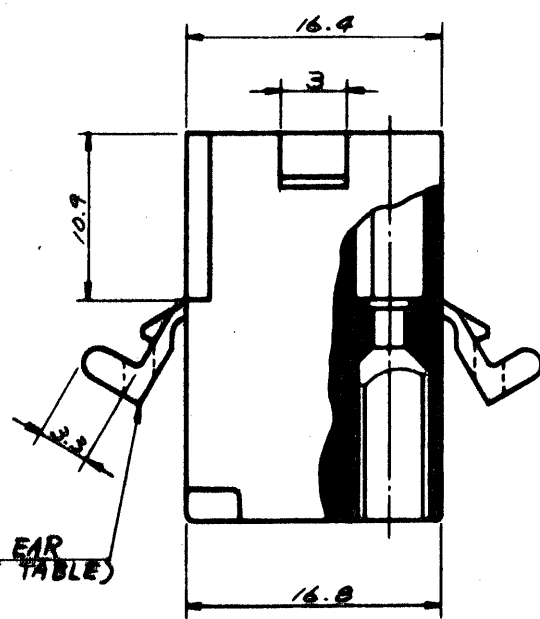
F



MOUNTING HOLE DETAIL

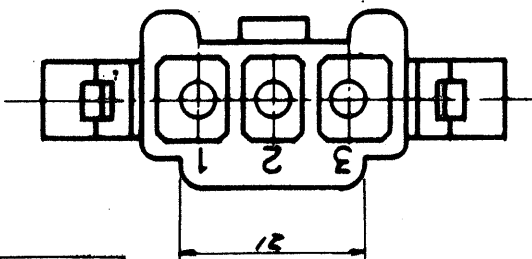
E

D



C

B



GENERAL TOLERANCES

| | |
|------------------|-------|
| 10 UNDER | ±0.2 |
| 10 OVER 30 UNDER | ±0.25 |
| 30 OVER | ±0.3 |
| ANGLE | ±3° |

A

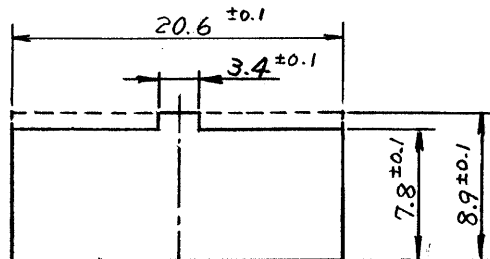
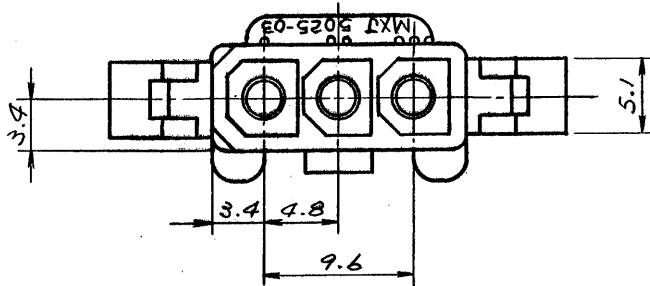
| | | |
|---------|-----------|----------|
| | 5025-03P1 | NO |
| | 5025-03P | YES |
| EDP NO. | ENG. NO. | MTG. EAR |

| | | | |
|-----|-------------------------|---------|-------------|
| | | | |
| | | | |
| | | | |
| D | ADDED -03P1 ECN NO. 917 | 7/5/77 | [Signature] |
| C | REMOVED "X" ECN NO. 740 | 7/10/77 | [Signature] |
| B | リブ、ハブノズル、ボルト、ワッシャー | 13/6/77 | [Signature] |
| A | REVISED | 10/2/77 | [Signature] |
| 0 | PROPOSED | 7/17/77 | [Signature] |
| 記号 | 変更内容 (Rev.) | Date | Name |
| LTR | | | |

| | |
|-----------------|---|
| 公差 (Tolerances) | .000 → ±0.005 .00 → ±0.05 .0 → ±0.1 . → ±0.3 |
| 材料 (MAT'L) | NYLON66, 94V-2 |
| 熱処理 (H.T.) | HRC — # — |
| 仕上げ (Finish) | — # — |
| Scale | 2/1 |
| 名称 (Name) | MINI FIT CONN. 3POS. PLUG HSG. |

| | |
|--------------------------------------|----------------------------|
| 所要数 (Req) | DRWG. Y. Amano 7/17 '77 |
| | DSN'D M. ENDO MATO 7/16/77 |
| | CHK'D [Signature] |
| | APP'D [Signature] |
| MOLEX-JAPAN CO., LTD. 日本モレックス株式会社 | |
| No. | REV. |
| SD-5025-03P* | D |

F

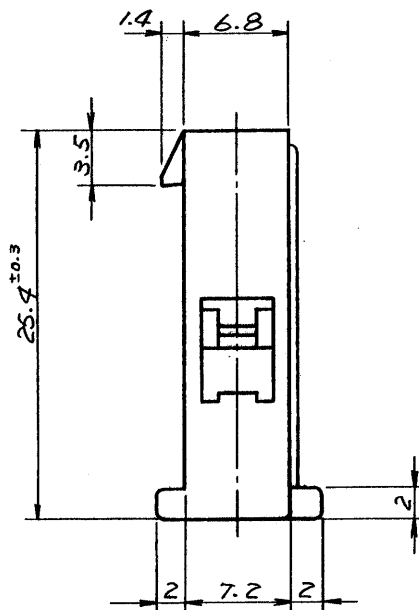
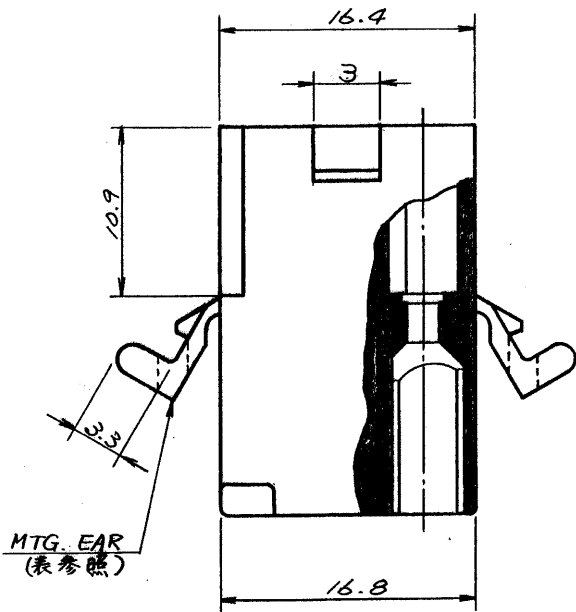


パネル板厚 2mm MAX

パネルスロット寸法

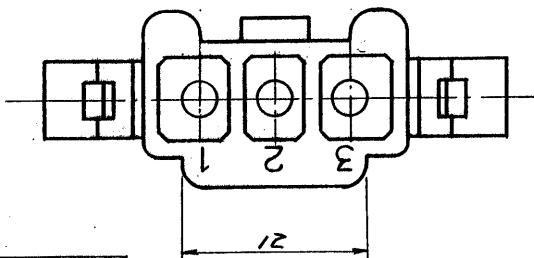
E

D



C

B



一般公差

| | |
|----------|-------|
| 10未満 | ±0.2 |
| 10以上30未満 | ±0.25 |
| 30以上 | ±0.3 |
| 角度 | ±3° |

A

| | | |
|------------|-----------|----------|
| 15-31-1033 | 5025-03P1 | 無 |
| 15-31-1031 | 5025-03P | 有 |
| EDP NO. | ENG. NO. | MTG. EAR |

| | | | | | | |
|----------|-------------|--------------------------|----------|--|--|--------------------------------|
| | | | | 公差 (Tolerances) .000 → ±0.005 .00 → ±0.05 .0 → ±0.1 . → ±0.3 | 所要数 (Req) | DRWG. <i>f. Awano 9/27 '77</i> |
| | | | | 材料 (MAT'L) NYLON66, 94V-2 | | DSN'D <i>M. ENO MTD 10/16</i> |
| | | | | 熱処理 (H.T.) HRc — # — | MOLEX 日本モレックス株式会社 | CHK'D <i>W. Shiraishi</i> |
| | | | | 仕上げ (Finish) — # — | | APP'D <i>W. Shiraishi</i> |
| E | REVISED | ECN NO. 1499 | 11/30/77 | K.H. | No. SD - 5025-03P* | REV. E |
| D | ADDED | -03P1 ECN NO. 917 | 9/5/77 | | | |
| C | REMOVED | "X" ECN NO. 748 | 3/18/77 | | | |
| B | | 11.7" パネルスロット, ガーネット NO. | 12/16/77 | | | |
| A | REVISED | | 10/28/77 | | | |
| O | PROPOSED | | 9/27/77 | | Scale 2/1 名称 (Name) MINI. FIT CONN. 3POS. PLUG HSG. | |
| 記号 (LTR) | 変更内容 (Rev.) | | | Date | Name | |