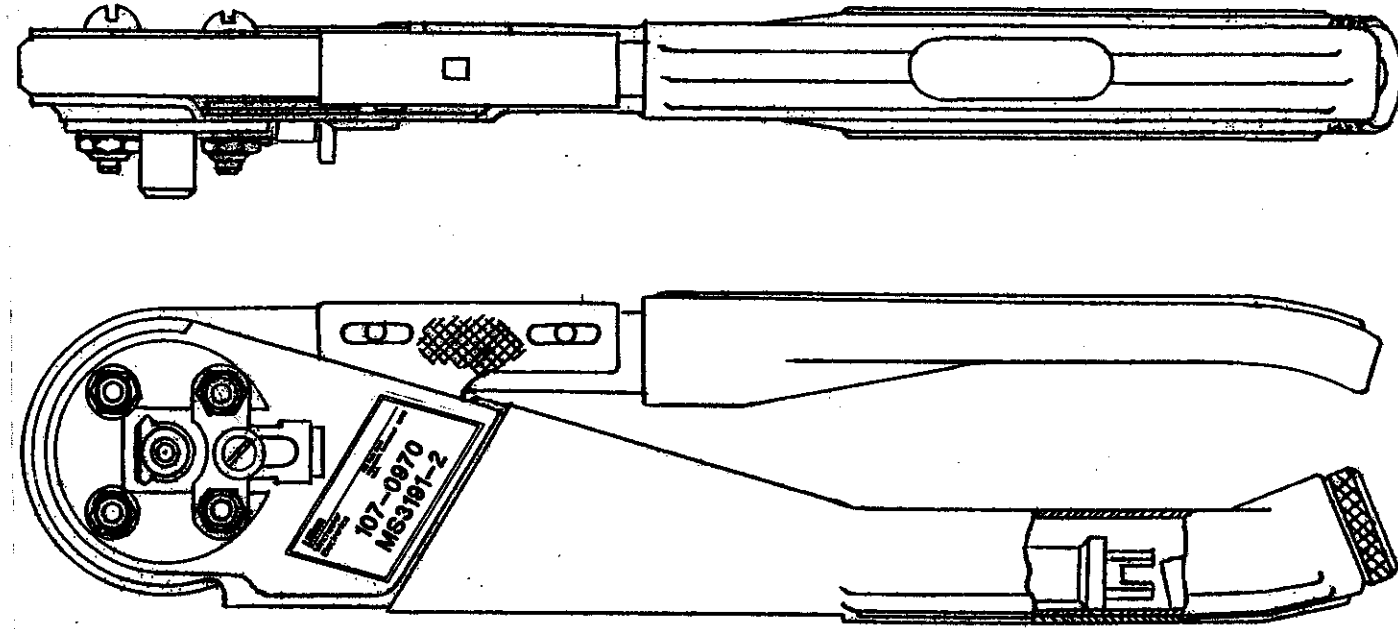
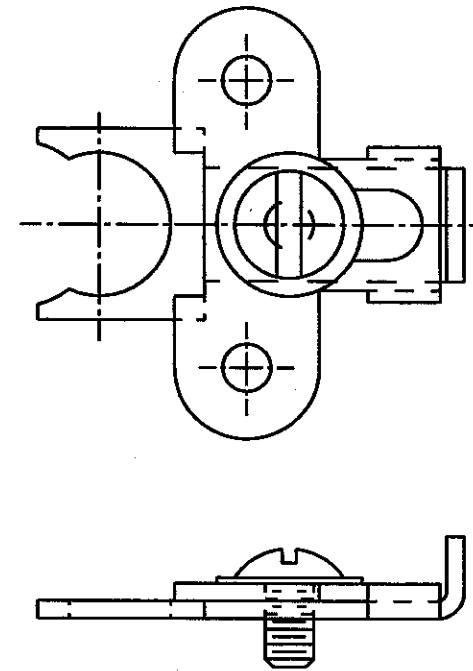


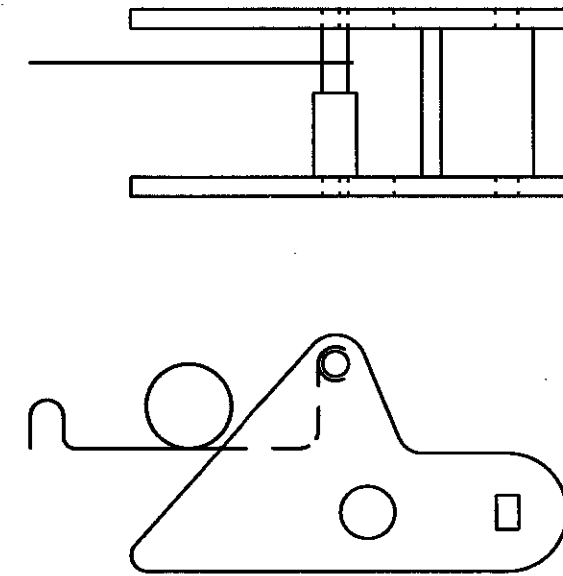
REV	DESCRIPTION	BY DATE	APPD
A	RELEASED. ECR# 4282	J.M.G. 05/30/96	



PART NO 107-0970 SHOWN



PART NO 105101-1 SHOWN



PART NO 105101-2 SHOWN

CRIMPING TOOL	107-0980
	107-0970
PAWL ASSEMBLY	105101-2
SLIDE STRAP ASSEMBLY	105101-1
DESCRIPTION	W.E.D. PART NO

UNLESS OTHERWISE SPECIFIED: DIMENSIONS ARE IN INCHES, <small>MM</small> OR INCHES / MM TOLERANCES DECIMALS .XX ± .XXX ± ANGLES : SCALE: NONE		Litton Winchester Electronics 400 PARK ROAD WATERTOWN, CONNECTICUT 06795	
CUSTOMER DRAWING		TITLE SLIDE STRAP / PAWL ASSEMBLIES MS-3191 CRIMPING TOOL	
DRAWN J.M.G.	DATE 05/30/96	CHECKED <i>[Signature]</i>	DATE 6/10/96
APPROVED D.DASILVA	DATE 05/30/96	APPROVED <i>[Signature]</i>	DATE 6/19/96
B 43863		SHT. 1 OF 1	REV. A

SCANNED