

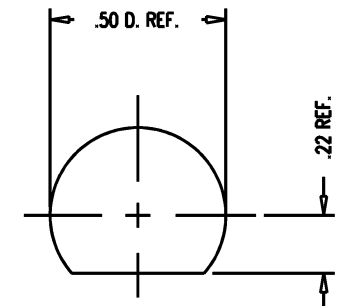
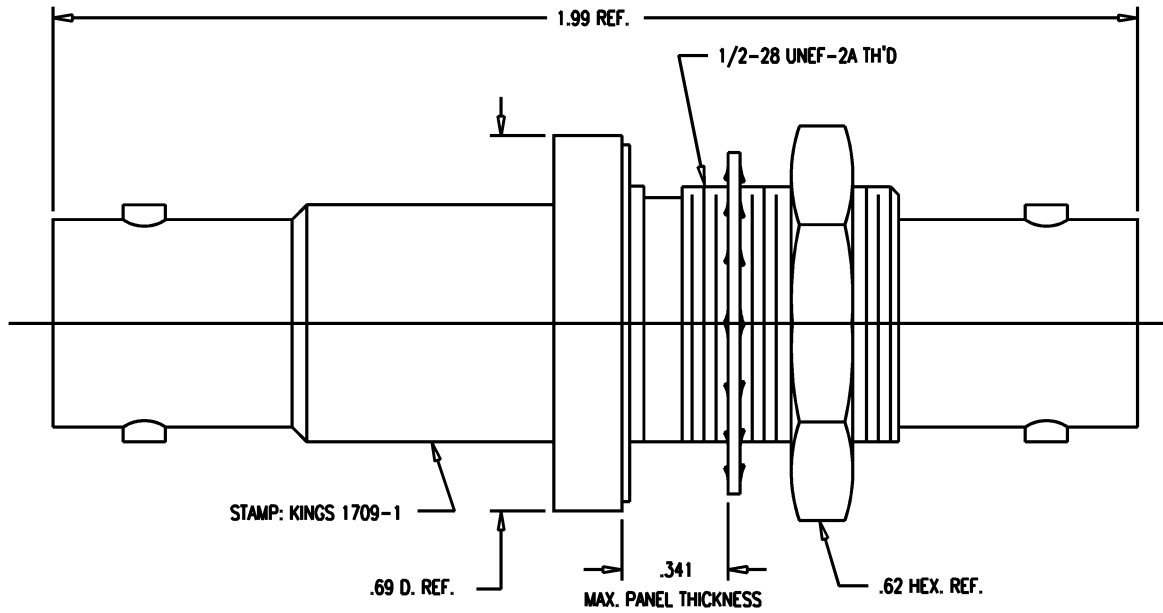
DASH NO.	M CODE	MADE FROM
----------	--------	-----------

# GSD

1709-1

REVISIONS	
ISSUE	CHANGES
3	CN 36706 C REDRAWN KH 11/30/95

KAM6256



MOUNTING HOLE

- NOTES:
- INTERFACE PER MIL-STD-348, FIG. 314-1.
  - MATERIALS:  
GASKET: SILICONE RUBBER, ZZ-R-765  
INSULATOR: TEFLON, ASTM-D-4894  
LOCKWASHER: PHOSPHOR BRONZE, ASTM-B-103  
ALL OTHER METAL PARTS: BRASS, ASTM-B16
  - FINISHES:  
CENTER CONTACT: GOLD PLATE PER MIL-G-45204  
ALL OTHER METAL PARTS: KINGS TARNISH RESISTANT NICKEL FINISH (TR-5)
  - ELECTRIAL CHARACTERISTICS:  
NOMINAL IMPEDANCE: NON-CONSTANT  
VOLTAGE RATING: 3500 VRMS  
5000 VDC

# GSD

SCALE	4:1
APPROX SURFACE AREA	
USED ON	
REF:	
ADPT M-M, BKHD, SHV	
DRAWN	KH 04/30/92
DESIGN	AR 10/01/92
APPR.	DATE

**KINGS**  
ELECTRONICS CO., INC.  
TUCKAHOE, NEW YORK 10707

1709-1